

Job Name:

System Reference:

Date:



SPECIFICATIONS

- 4 channel equipment controller with outside air temperature monitoring
- Manages and stages heat pump and third party supplemental heat
- Setup available through kumo cloud® app
- Communicates with other equipment wirelessly without internet connectivity
- Able to connect non-powered and powered equipment
- LED function settings
 - Equipment communication
 - Equipment status
- Patent pending algorithm to control system changeover
 - Reduces system changeover occurrence
 - Can set priority zones
- 4 dry contact outputs
- Minimum run time can be changed in 10 minute intervals to avoid frequent system changeovers
- Compatible with Mitsubishi Electric CITY MULTI® units. Contact Mitsubishi Electric representative for more information.
- Ambient temperature range from 32°F (0 °C) to 104°F (40 °C)
- Maximum relative humidity 80%
- Avoid installing in an area of direct sunlight or sources of heat
- Must take into consideration other areas of electronic noise
- Install indoors

REQUIREMENTS

- Wireless Interface 1 (PAC-USWHS002-WF-1) or Wireless Interface 2 (PAC-USWHS002-WF-2) connected to kumo station®

ADVANCED FEATURES

- Emergency Operation Switches
- Ability to override the output status of the 4 equipment controller outputs
- Can open or close the contacts at channels 1, 2, 3, 4 to prohibit or permit operation
- Auto mode will allow for remote setting of channels 1, 2, 3, 4
- Channel selection
- Able to be controlled through kumo cloud[®] app
 - Requires kumo cloud app version 2.6 or later
- Outdoor Air Temperature sensor optional
 - If not supplied, defaults to heat pump and supplemental heat
 - If fails, the system fails to heat pump and supplemental heat
- Included: Recess panel allows for recessed installation. See instruction manual for more information.
- Wiring and Settings Check
 - Emergency Operations Check: Verifies the current setup will react according to user specifications in the event of an emergency
 - Function Setting Switch Check: Verifies the kumo station[™] switches operate according to the user specifications
 - Communication Check
 - Operation Check of Outdoor Air Temperature Sensor

ACCESSORIES

- Wireless Humidity and Temperature Sensor for kumo cloud[®] (PAC-USWHS003-TH-1)¹
- IT Extender (PAC-WHS01IE-E)²
- Outdoor Air Temperature Sensor (C7089U1006/U)²
 - Requires AWG 18-22 Power Cable
 - Wire length between sensor and kumo station[®] required to be less than 200 ft (61m)
- 24VAC Transformer
 - UL Certification Class 2
- 3rd Party Humidifier, Dehumidifier, Heater, etc
 - 24 VAC Max, 1 Amp each Channel

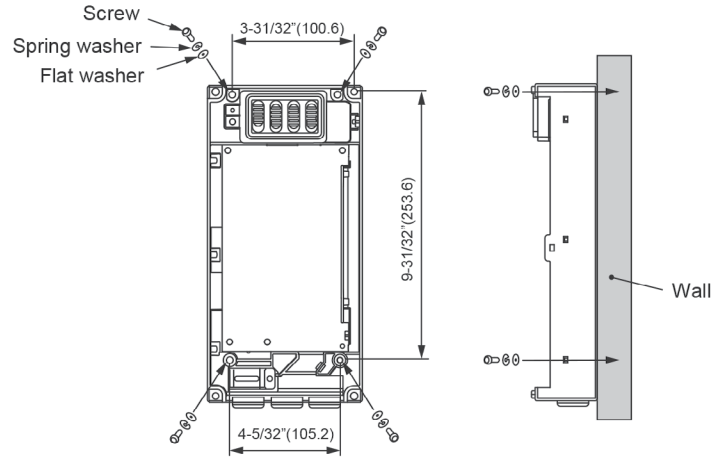
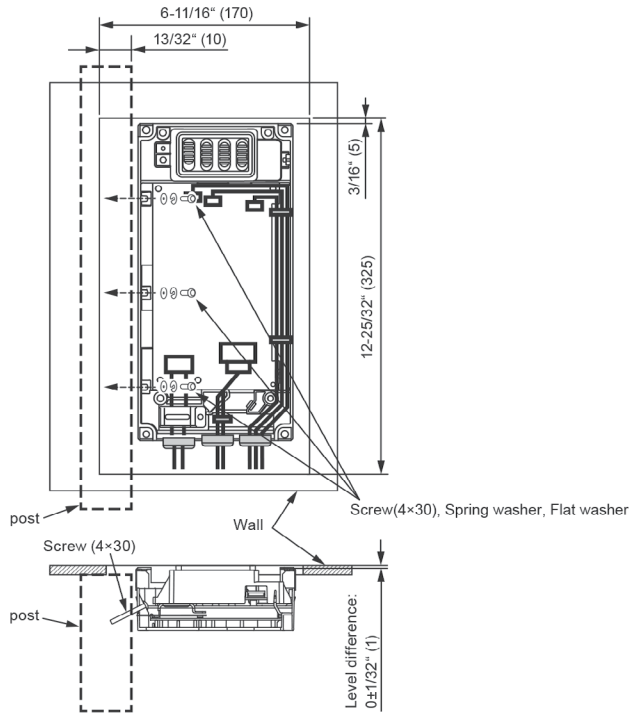
¹See Submittal for information on each option.

²See Submittal for information on each option.

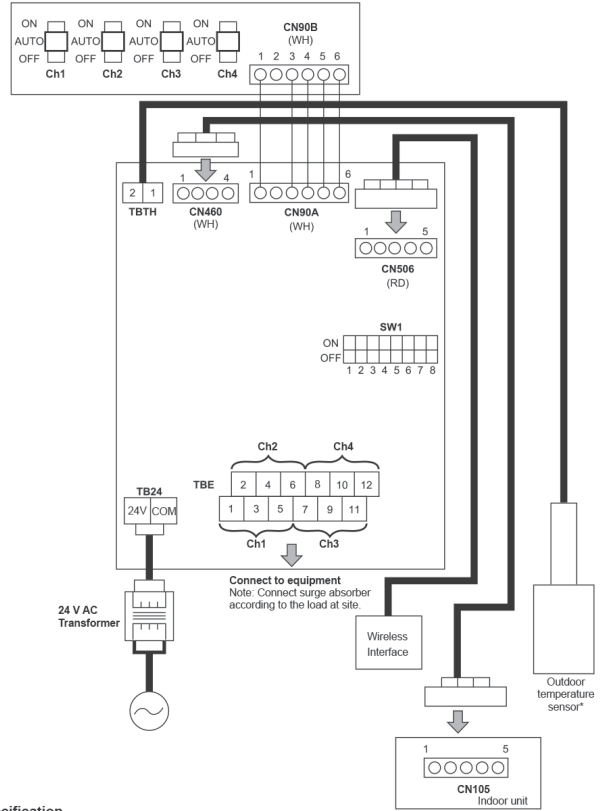
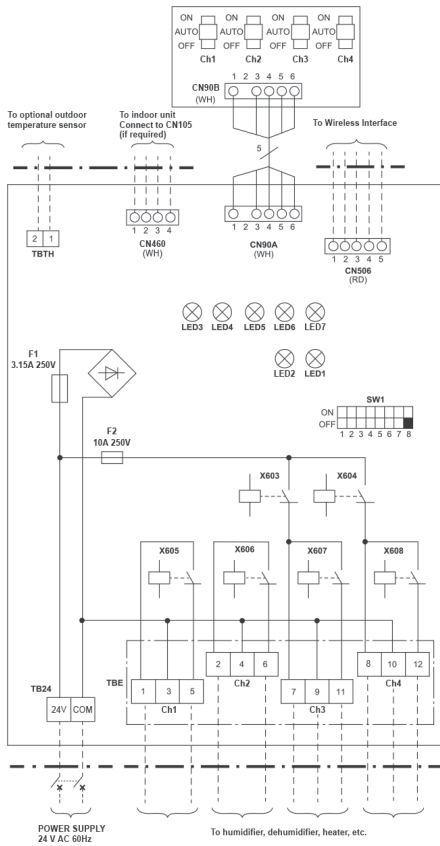
DIMENSIONS: PAC-WHS01HC-E

- Dimensions W x D x H: 5-31/32" x 2-3/8" x 12-1/16" (152 x 60 x 306 mm)
- Weight: 3.97 lbs (63.5 oz) (1.8 kg)

Unit: inch (mm)



WIRING DIAGRAMS: PAC-WHS01HC-E



Wiring specification

Power cable	AWG 18-22
Equipment cable	Connect by caulking a round terminal
Outdoor temperature sensor cable	AWG 16-22 (Note: AWG 18 is recommended)

COMPATIBILITY CHART

TABLE 1. CITY MULTI®

PMFY-NMBU	(E) NO (ER5) OK (After April 2012)
PEFY-NMU	(NMU-E) NO (After April 2012)
PEFY-NMAU	(E) NO (E2) OK (E3) OK (After April 2012)
PEFY-NMHSU	(E) OK (After Oct 2015)
PEFY-NMHU	(E) NO (E2) OK (After April 2012)
PEFY-NMLU	(E) NO
PEFY-NMSU	(E) NO (ER2) OK (After June 2012)
PLFY- NAMU	(E) NO (A) NO
PLFY- NBMU	(E) NO (ER2) OK (After April 2012)
PLFY- NCMU	(E) NO (ER4) OK (After June 2012)
PLFY- NFMU	(E) YES
PLFY- NLMU	(E) NO
PCFY- VKM	NO
PCFY- NGMU	(E) NO
PCFY- NKMU	(E) NO (E.TH) NO (ER1.TH) OK (After June 2012)
PFFY-NEMU	(E) OK (After April 2012)
PFFY-NRMU	(E) OK (After April 2012)
PVFY-E00	(A) OK (B) OK (After April 2012)
PVFY-NAMU	(E) OK (After April 2012)
PKFY-NAMU	(E) NO
PKFY-NFMU	(E) NO
PKFY-NGMU	(E) NO
PKFY-NBMU	(E) NO (E2) OK (After April 2012) (E2R1) OK (After April 2012)
PKFY-NHMU	(E) NO (E2) OK (After May 2012)
PKFY-NKMU	(E) NO (E2) OK (After June 2012) (E2.TH) ADPT (After June 2012)

TABLE 2. P-Series

PCA	(GA) NO (KA) OK (KA4) OK (KA4.TH) OK (KA6) OK (KA7) OK
PEA	(AA) NO (AA4) OK (AA4R1.TH) OK (AA6) OK
PEAD	(AA) NO (AA4) OK (AA5) OK (AA7) OK
PKA	(FA) NO (GA) NO (HA) NO (HAL) NO (HA4) OK (HA6) OK (HA7) OK (KA) NO (KA4) OK (KA6) OK (KA7) OK
PLA	(AA) NO (BA) NO (BA-1) NO (BA4) NO (BA6) NO (EA7) OK
PVA	(AA4) OK (AA7) OK

Table 3. M-Series

MFZ-KA	NO
MFZ-KJ	OK
MSZ/Y-A	NO
MSZ/Y-D	(NA) OK (NA-8) OK
MS-WA	NO
MSZ-FD	NO
MSZ-FE	09, 12 (NA) OK 09, 12 (NA-8) OK 18 (NA) OK
MSZ-EF	OK
MSZ/Y-GE	06 to 18 (NA) NO (NA-8) NO (NA-9) OK 24 (NA) NO
MSZ/Y-GL	OK
MSZ-FH	OK
MSZ-HE	NO
MSZ-HM	OK
MSY-HM	NO
MSZ-JP	OK
MSZ-WR	OK
MVZ	(AA4) OK (AA7) OK
SVZ-KP	OK
SEZ-KD	(NA) OK (NA4) OK
SLZ-KA	OK
MLZ-KP	OK

LEGEND

OK = Compatible

NO = Not compatible

ADPT = Install IT signal adapter PAC-IT51AD-E or PAC-IT52AD-E for compatibility



COOLING & HEATING

1340 Satellite Boulevard, Suwanee, GA 30024
Toll Free: 800-433-4822 www.mehvac.com