

# SPLIT-SYSTEM HEAT PUMP PKA-A·LA Series

---

## **INSTALLATION MANUAL**

For safe and correct use, read this manual and the outdoor unit installation manual thoroughly before installing the air-conditioner unit.

**FOR INSTALLER**

## **MANUEL D'INSTALLATION**

Avant d'installer le climatiseur, lire attentivement ce manuel, ainsi que le manuel d'installation de l'appareil extérieur pour une utilisation sûre et correcte.

**POUR L'INSTALLATEUR**

## **MANUAL DE INSTALACIÓN**

Para un uso seguro y correcto, lea detalladamente este manual de instalación antes de montar la unidad de aire acondicionado.

**PARA EL INSTALADOR**

**English**

**Français**

**Español**

# Contents

1. Safety precautions.....	1	5. Drainage piping work.....	7
2. Installation location.....	2	6. Electrical work.....	9
3. Installing the indoor unit.....	3	7. Test run.....	12
4. Installing the refrigerant piping.....	6	8. Easy maintenance function.....	16

**Note:**  
The phrase "Wired remote controller" in this installation manual refers to the PAR-40MAA. If you need any information for other remote controller, please refer to the installation manual that is included with the optional remote controller.

## 1. Safety precautions

- ▶ Before installing the unit, make sure you read all the "Safety Precautions".
- ▶ The "Safety Precautions" provide very important points regarding safety. Make sure you follow them.
- ▶ Please report to your supply authority or obtain their consent before connecting this equipment to the power supply system.

### Symbols used in the text

#### ⚠ Warning:

Describes precautions that should be observed to prevent danger of injury or death to the user.

#### ⚠ Caution:

Describes precautions that should be observed to prevent damage to the unit.

### Symbols used in the illustrations

⏚ : Indicates a part which must be grounded.

⊘ : Be sure not to do.

After installation work has been completed, explain the "Safety Precautions," use, and maintenance of the unit to the customer according to the information in the Operation Manual and perform the test run to ensure normal operation. Both the Installation Manual and Operation Manual must be given to the user for keeping. These manuals must be passed on to subsequent users.

#### ⚠ Warning:

- Carefully read the labels affixed to the main unit.
- Ask a dealer or an authorized technician to install, relocate and repair the unit.
- The user should never attempt to repair the unit or transfer it to another location.
- For installation and relocation work, follow the instructions in the Installation Manual and use tools and pipe components specifically made for use with refrigerant specified in the outdoor unit installation manual.
- The unit must be installed according to the instructions in order to minimize the risk of damage from earthquakes, typhoons, or strong winds. An incorrectly installed unit may fall down and cause damage or injuries.
- Do not alter the unit. It may cause fire, electric shock, injury or water leakage.
- The unit must be securely installed on a structure that can sustain its weight.
- The appliance shall be stored in a well-ventilated area where the room size corresponds to the room area as specified for operation.
- If the air conditioner is installed in a small room or closed room, measures must be taken to prevent the refrigerant concentration in the room from exceeding the safety limit in the event of refrigerant leakage. Should the refrigerant leak and cause the concentration limit to be exceeded, hazards due to lack of oxygen in the room may result.
- Keep gas-burning appliances, electric heaters, and other fire sources (ignition sources) away from the location where installation, repair, and other air conditioner work will be performed.  
If refrigerant comes into contact with a flame, poisonous gases will be released.
- Ventilate the room if refrigerant leaks during operation. If refrigerant comes into contact with a flame, poisonous gases will be released.
- All electric work must be performed by a qualified technician according to local regulations and the instructions given in this manual.
- Do not use intermediate connection of the electric wires.
- Use only specified cables for wiring. The wiring connections must be made securely with no tension applied on the terminal connections. Also, never splice the cables for wiring (unless otherwise indicated in this document). Failure to observe these instructions may result in overheating or a fire.
- When installing or relocating, or servicing the air conditioner, use only the specified refrigerant written on outdoor unit to charge the refrigerant lines. Do not mix it with any other refrigerant and do not allow air to remain in the lines.

If air is mixed with the refrigerant, then it can be the cause of abnormal high pressure in the refrigerant line, and may result in an explosion and other hazards.

The use of any refrigerant other than that specified for the system will cause mechanical failure or system malfunction or unit breakdown. In the worst case, this could lead to a serious impediment to securing product safety.

- The appliance shall be installed in accordance with national wiring regulations.
- This appliance is not intended for use by persons (including children) with reduced physical, sensory or mental capabilities, or lack of experience and knowledge, unless they have been given supervision or instruction concerning use of the appliance by a person responsible for their safety.
- Children should be supervised to ensure that they do not play with the appliance.
- The terminal block cover panel of the unit must be firmly attached.
- If the supply cord is damaged, it must be replaced by the manufacturer, its service agent or similarly qualified persons in order to avoid a hazard.
- Use only authorized accessories and ask a dealer or an authorized technician to install them.  
If accessories are incorrectly installed, water leakage, electric shock, or fire may result.
- After installation has been completed, check for refrigerant leaks. If refrigerant leaks into the room and comes into contact with the flame of a heater or portable cooking range, poisonous gases will be released.
- Do not use means to accelerate the defrosting process or to clean, other than those recommended by the manufacturer.
- The appliance shall be stored in a room without continuously operating ignition sources (for example: open flames, an operating gas appliance or an operating electric heater).
- Do not pierce or burn.
- Be aware that refrigerants may not contain an odour.
- Pipe-work shall be protected from physical damage.
- The installation of pipe-work shall be kept to a minimum.
- Compliance with national gas regulations shall be observed.
- Keep any required ventilation openings clear of obstruction.
- Do not use low temperature solder alloy in case of brazing the refrigerant pipes.
- When performing brazing work, be sure to ventilate the room sufficiently. Make sure that there are no hazardous or flammable materials nearby. When performing the work in a closed room, small room, or similar location, make sure that there are no refrigerant leaks before performing the work.  
If refrigerant leaks and accumulates, it may ignite or poisonous gases may be released.

# 1. Safety precautions

## 1.1. Before installation (Environment)

### ⚠ Caution:

- Do not use the unit in an unusual environment. If the air conditioner is installed in areas exposed to steam, volatile oil (including machine oil), or sulfuric gas, areas exposed to high salt content such as the seaside, the performance can be significantly reduced and the internal parts can be damaged.
- Do not install the unit where combustible gases may leak, be produced, flow, or accumulate. If combustible gas accumulates around the unit, fire or explosion may result.
- Do not keep food, plants, caged pets, artwork, or precision instruments in the direct airflow of the indoor unit or too close to the unit, as these items can be damaged by temperature changes or dripping water.
- When the room humidity exceeds 80% or when the drainpipe is clogged, water may drip from the indoor unit. Do not install the indoor unit where such dripping can cause damage.
- When installing the unit in a hospital or communications office, be prepared for noise and electronic interference. Inverters, home appliances, high-frequency medical equipment, and radio communications equipment can cause the air conditioner to malfunction or breakdown. The air conditioner may also affect medical equipment, disturbing medical care, and communications equipment, harming the screen display quality.

## 1.2. Before installation or relocation

### ⚠ Caution:

- Be extremely careful when transporting the units. Two or more persons are needed to handle the unit, as it weighs 20 kg or more. Do not grasp the packaging bands. Wear protective gloves as you can injure your hands on the packaging bands.
- Be sure to safely dispose of the packaging materials. Packaging materials, such as nails and other metal or wooden parts may cause stabs or other injuries.
- Thermal insulation of the refrigerant pipe is necessary to prevent condensation. If the refrigerant pipe is not properly insulated, condensation will be formed.
- Place thermal insulation on the pipes to prevent condensation. If the drainpipe is installed incorrectly, water leakage and damage to the ceiling, floor, furniture, or other possessions may result.
- Do not clean the air conditioner unit with water. Electric shock may result.
- Tighten all flare nuts to specification using a torque wrench. If tightened too much, the flare nut can break after an extended period.

## 1.3. Before electric work

### ⚠ Caution:

- Be sure to install circuit breakers. If not installed, electric shock may result.
- For the power lines, use standard cables of sufficient capacity. Otherwise, a short circuit, overheating, or fire may result.
- When installing the power lines, do not apply tension to the cables.
- Be sure to ground the unit. If the unit is not properly grounded, electric shock may result.
- Use circuit breakers (ground fault interrupter, isolating switch (+B fuse), and molded case circuit breaker) with the specified capacity. If the circuit breaker capacity is larger than the specified capacity, breakdown or fire may result.

## 1.4. Before starting the test run

### ⚠ Caution:

- Turn on the main power switch more than 12 hours before starting operation. Starting operation just after turning on the power switch can severely damage the internal parts.
- Before starting operation, check that all panels, guards and other protective parts are correctly installed. Rotating, hot, or high voltage parts can cause injuries.
- Do not operate the air conditioner without the air filter set in place. If the air filter is not installed, dust may accumulate and breakdown may result.
- Do not touch any switch with wet hands. Electric shock may result.
- Do not touch the refrigerant pipes with bare hands during operation.
- After stopping operation, be sure to wait at least five minutes before turning off the main power switch. Otherwise, water leakage or breakdown may result.

# 2. Installation location

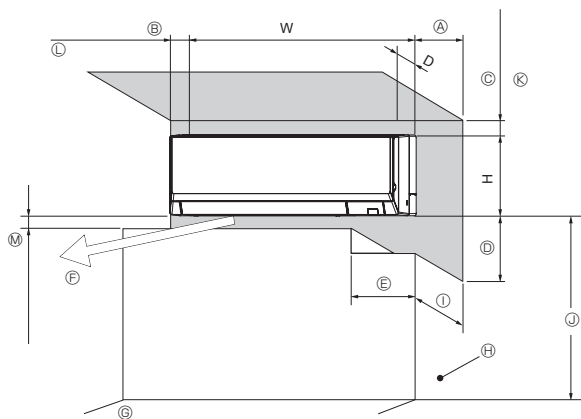


Fig. 2-1

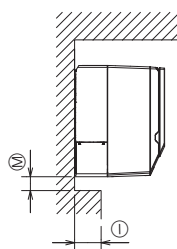


Fig. 2-2

## 2.1. Outline dimensions (Indoor unit) (Fig. 2-1, 2-2)

Select a proper position allowing the following clearances for installation and maintenance.

(mm, inch)

D	W	H	A	B	C	D	E
237 9-11/32	898 35-23/64	299 11-25/32	Min. 150 Min. 5-29/32	Min. 50 Min. 1-31/32	Min. 50 Min. 1-31/32	Min. 250 Min. 9-27/32	Min. 260 Min. 10-1/4

- Ⓕ Air outlet: Do not place an obstacle within 1500 mm, 59-1/16 inch of the air outlet.
- Ⓖ Floor surface
- Ⓗ Furnishings
- Ⓘ When the projection dimension of a curtain rail or the like from the wall exceeds 60 mm, 2-23/64 inch, extra distance should be taken because the fan air current may create a short cycle.
- Ⓙ 1800 mm, 70-55/64 inch or greater from the floor surface (for high location mounting)
- Ⓚ 75 mm, 2-61/64 inch, or greater with left, rear left, or lower left piping, and optional drain pump installation. (Use the hook positioned on the lower part of the mount board when the dimension is 55 mm, 2-11/64 inch or greater and less than 75 mm, 2-61/64 inch (Less than 55 mm, 2-11/64 inch: NG). Refer to 3.5. for details.)
- Ⓛ 350 mm, 13-25/32 inch or greater with optional drain pump installation
- Ⓜ Refer to Fig. 2-2

(mm, inch)

Ⓜ	Ⓘ		With Optional DRAIN PUMP
	60 or less 2-23/64 or less	More than 60 More than 2-23/64	
	Min. 7 Min. 9/32	Min. 60 Min. 2-23/64	Min. 250 Min. 9-27/32

\* Please keep space to make vane to act.

en

### 3. Installing the indoor unit

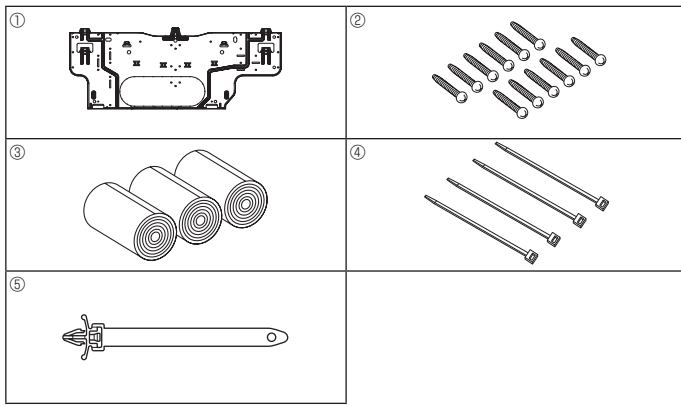


Fig. 3-1

#### 3.1. Check the indoor unit accessories (Fig. 3-1)

The indoor unit should be supplied with the following accessories.

PART NUMBER	ACCESSORY	QUANTITY	LOCATION OF SETTING
①	Mount board	1	Fix at the back of the unit
②	Tapping screw 4 × 25	12	
③	Felt tape	3	
④	Band	4	
⑤	Clamp	1	

#### 3.2. Installing the wall mounting fixture

##### 3.2.1. Setting the wall mounting fixture and piping positions

- ▶ Using the wall mounting fixture, determine the unit's installation position and the locations of the piping holes to be drilled.

##### ⚠ Warning:

Before drilling a hole in the wall, you must consult the building contractor.

##### [Fig. 3-2]

- Ⓐ Mount board
- Ⓑ Indoor unit
- Ⓒ Bottom left rear pipe hole (ø75 mm, 2-61/64 inch)
- Ⓓ Bottom right rear pipe hole (ø75 mm, 2-61/64 inch)
- Ⓔ Bottom right rear condit cable hole (ø75 mm, 2-61/64 inch)
- Ⓕ Knockout hole for left rear hole (105 × 300 mm, 3-15/16 × 11-13/16 inch)
- Ⓖ Bolt hole (4-ø9 mm, 23/64 inch hole)
- Ⓗ Tapping hole (6-ø4.3 mm, 11/64 inch hole)
- Ⓚ Hole centre
- Ⓛ Align the scale with the line.
- Ⓜ Insert scale.

##### 3.2.2. Drilling the piping hole (Fig. 3-3)

- ▶ Use a core drill to make a hole of 75 - 80 mm, 2-61/64 - 3-5/32 inch diameter in the wall in the piping direction, at the position shown in the diagram to the left.

- ▶ The hole should incline so that the outside opening is lower than the inside opening.

- ▶ Insert a sleeve (with a 75 mm, 2-61/64 inch diameter and purchased locally) through the hole.

##### Note:

The purpose of the hole's inclination is to promote drain flow.

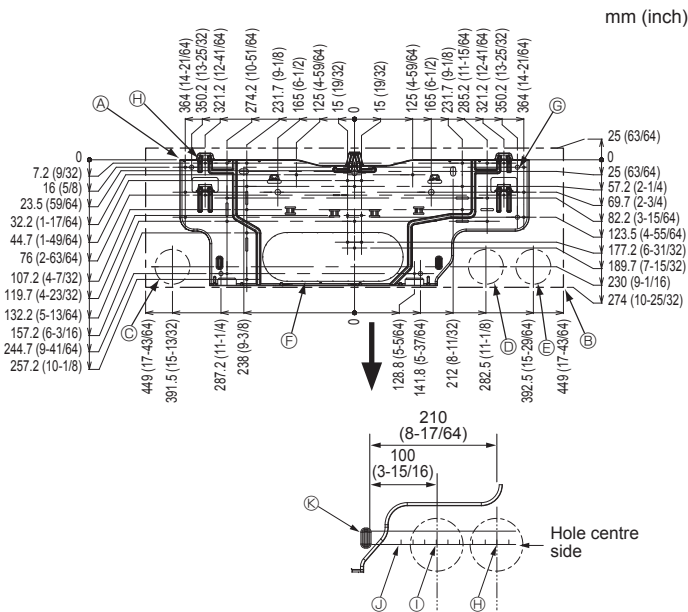


Fig. 3-2

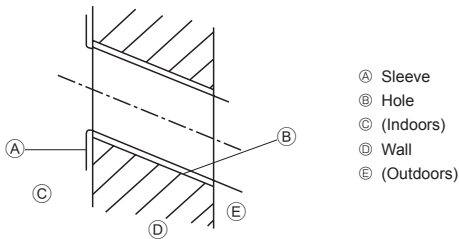


Fig. 3-3

### 3. Installing the indoor unit

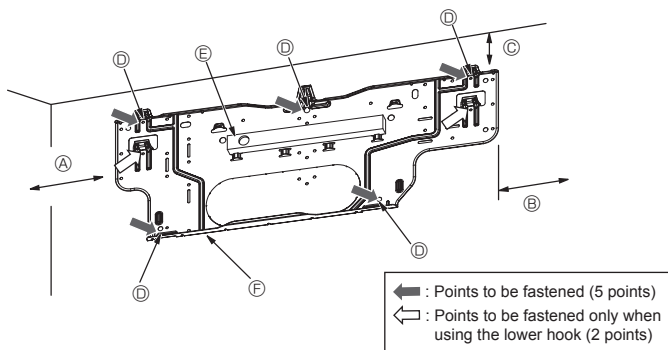


Fig. 3-4

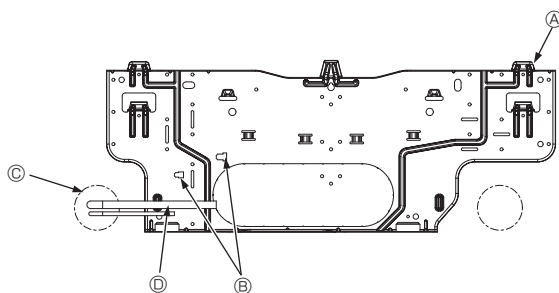


Fig. 3-5

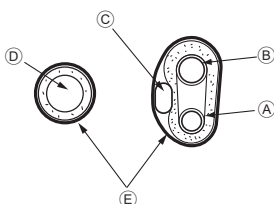


Fig. 3-6

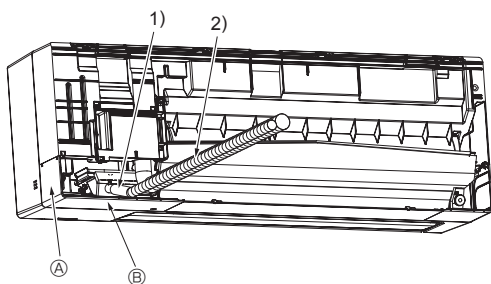


Fig. 3-7

#### 3.2.3. Installing the wall mounting fixture

- ▶ Since the indoor unit weighs near 13 kg, 29 lbs, selection of the mounting location requires thorough consideration. If the wall does not seem to be strong enough, reinforce it with boards or beams before installation.
- ▶ The mounting fixture must be secured at both ends and at the centre, if possible. Never fix it at a single spot or in any nonsymmetrical way. (If possible, secure the fixture at all the positions marked with a bold arrow.)

#### ⚠ Warning:

If possible, secure the fixture at all positions indicated with a bold arrow.

#### ⚠ Caution:

- The unit body must be mounted horizontally.
- Fasten at the holes as shown by the arrows.

#### (Fig. 3-4)

- Ⓐ Min. 119 mm, 4-11/16 inch (669 mm, 26-11/32 inch or greater with optional drain pump installation)
- Ⓑ Min. 224 mm, 8-13/16 inch
- Ⓒ Min. 75 mm, 2-61/64 inch (Use the hook positioned on the lower part of the mount board when the dimension is less than 100 mm, 3-15/16 inch with left, rear left, or lower left piping, and optional drain pump installation. Refer to 3.5. for details.)
- Ⓓ Fixing screws (4 × 25) ②
- Ⓔ Level
- Ⓕ Mount board ①

#### 3.3. When embedding pipes into the wall (Fig. 3-5)

- The pipes are on the bottom left.
- When the cooling pipe, drain pipes internal/external connection lines etc are to be embedded into the wall in advance, the extruding pipes etc, may have to be bent and have their length modified to suit the unit.
- Use marking on the mount board as a reference when adjusting the length of the embedded cooling pipe.
- During construction, give the length of the extruding pipes etc some leeway.

- Ⓐ Mount board ①
- Ⓑ Reference marking for flare connection
- Ⓒ Through hole
- Ⓓ On-site piping

#### 3.4. Preparing the indoor unit

- \* Check beforehand because the preparatory work will differ depending on the exiting direction of the piping.
- \* When bending the piping, bend gradually while maintaining the base of the piping exiting portion. (Abrupt bending will cause misshaping of the piping.)
- \* Cut off outlet of the pipe depending on the exiting direction of the piping.

#### Extraction and processing of the piping and wiring (Fig. 3-6)

1. Connection of indoor/outdoor wiring → See page 9.
2. Wrap the felt tape ③ in the range of the refrigerant piping and drain hose which will be housed within the piping space of the indoor unit.
  - Wrap the felt tape ③ securely from the base for each of the refrigerant piping and the drain hose.
  - Overlap the felt tape ③ at one-half of the tape width.
  - Fasten the end portion of the wrapping with vinyl tape.

- Ⓐ Liquid pipe
- Ⓑ Gas pipe
- Ⓒ Indoor/outdoor connection cable
- Ⓓ Drain hose
- Ⓔ Felt tape ③

3. Be careful that the drain hose is not raised, and that contact is not made with the indoor unit box body.  
Do not pull the drain hose forcefully because it might come out.

#### Rear, right and lower piping (Fig. 3-7)

- 1) Be careful that the drain hose is not raised, and that contact is not made with the indoor unit box body.  
Arrange the drain hose at the underside of the piping and wrap it with felt tape ③.
- 2) Securely wrap the felt tape ③ starting from the base. (Overlap the felt tape at one-half of the tape width.)
  - Ⓐ Cut off for right piping.
  - Ⓑ Cut off for lower piping.

### 3. Installing the indoor unit

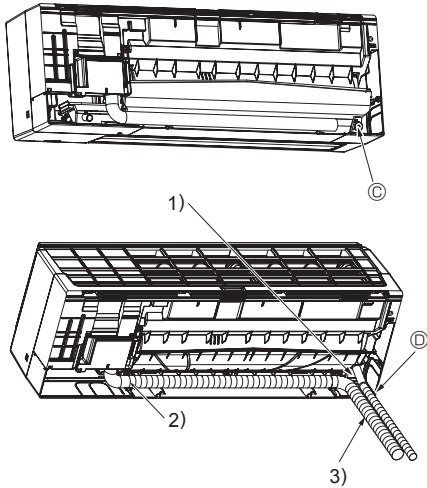


Fig. 3-8

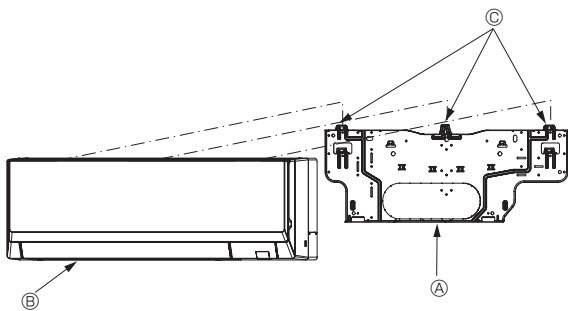


Fig. 3-9

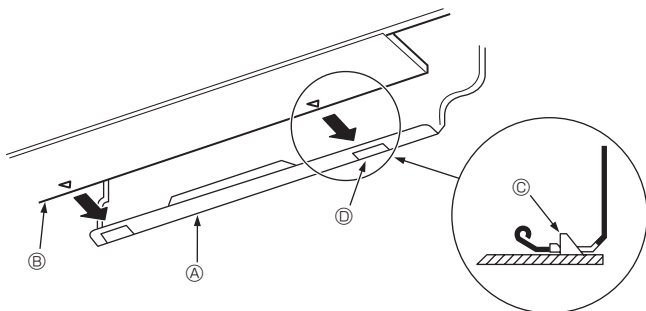


Fig. 3-10

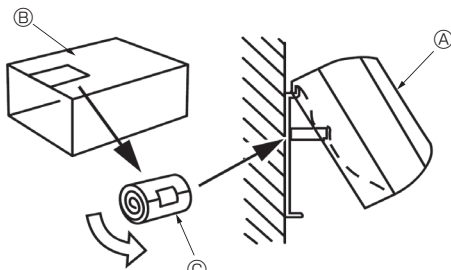


Fig. 3-11

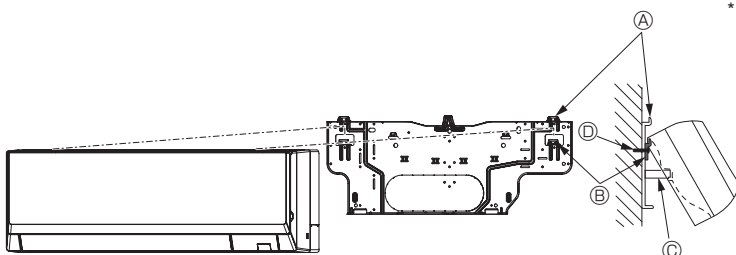


Fig. 3-12

#### Left and left rear piping (Fig. 3-8)

4. Drain hose replacement → See 5. Drainage piping work.

Be sure to replace the drain hose and the drain cap for the left and rear left piping. Dripping may occur if you forget to install or fail to replace these parts.

- ⓐ Drain cap
- 1) Be careful that the drain hose is not raised, and that contact is not made with the indoor unit box body.
- 2) Securely wrap the felt tape ③ starting from the base. (Overlap the felt tape at one-half of the tape width.)
- 3) Fasten the end portion of the felt tape ③ with vinyl tape.
- ⓑ Cut off for left piping.

#### 3.5. Mounting the indoor unit

1. Affix the mount board ① to the wall.
2. Hang the indoor unit on the hook positioned on the upper part of the mount board.

#### Rear, right and lower piping (Fig. 3-9)

3. While inserting the refrigerant piping and drain hose into the wall penetration hole (penetration sleeve), hang the top of the indoor unit to the mount board ①.
4. Move the indoor unit to the left and right, and verify that the indoor unit is hung securely.
5. Fasten by pushing the bottom part of the indoor unit onto the mount board ①. (Fig. 3-10)

\* Check that the knobs on the bottom of the indoor unit are securely hooked into the mount board ①.

6. After installation, be sure to check that the indoor unit is installed level.

- Ⓐ Mount board ①
- Ⓑ Indoor unit
- Ⓒ Hook
- Ⓓ Square hole

#### Left and left rear piping (Fig. 3-11)

3. While inserting the drain hose into the wall penetration hole (penetration sleeve), hang the top of the indoor unit to the mount board ①.

Cut part of the shipping box and wrap into a cylindrical form as illustrated in the diagram. Hook this to the rear surface rib as a spacer, and raise the indoor unit.

4. Connect the refrigerant piping with the site-side refrigerant piping.

5. Fasten by pushing the bottom part of the indoor unit onto the mount board ①.

\* Check that the knobs on the bottom of the indoor unit are securely hooked into the mount board ①.

6. After installation, be sure to check that the indoor unit is installed level.

- Ⓐ Indoor unit
- Ⓑ Shipping box
- Ⓒ Spacer (Cut out a piece of card board from shipping box.)

#### Note:

- When the indoor unit cannot be hanged and lifted up with the regular hook (the dimension of 2.1. ⓐ (the clearance between the ceiling and the unit) is 75 mm, 2-61/64 inch or less), hang the unit on the lower hook for left piping. (Fig. 3-12)
- The lower hook is a temporary hook only for installation. When the installation is done, be sure to hang the indoor unit on the regular hook. The indoor unit cannot be operated while it is hanged on the lower hook.

(Fig. 3-12)

- Ⓐ Regular hook
- Ⓑ Lower hook for left piping
- Ⓒ Spacer
- Ⓓ Fixing screw ②

\* When using the lower hook, be sure to screw on the base of the lower hook with a fixing screw ②, otherwise the indoor unit will fall.

## 4. Installing the refrigerant piping

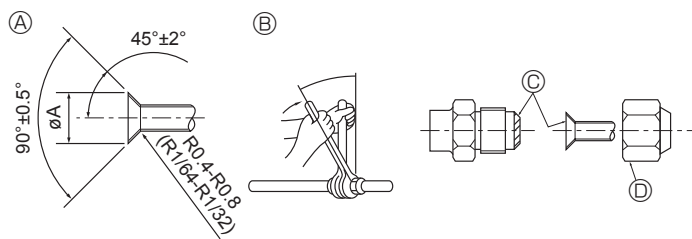


Fig. 4-1

(A) Flare cutting dimensions

Copper pipe O.D. (mm, inch)	Flare dimensions ØA dimensions (mm, inch)
ø6.35, 1/4"	8.7 - 9.1, 11/32 - 23/64
ø12.7, 1/2"	16.2 - 16.6, 41/64 - 21/32

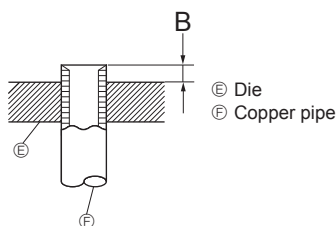


Fig. 4-2

Copper pipe O.D. (mm, inch)	B (mm, inch)	
	Flare tool for R32/R410A	
	Clutch type	
ø6.35, 1/4"	0 - 0.5, 0 - 1/64	
ø12.7, 1/2"	0 - 0.5, 0 - 1/64	

### 4.1. Precautions

For devices that use R32/R410A refrigerant

- Use alkylbenzene oil (small amount) as the refrigeration oil applied to the flared sections.
- Use C1220 copper phosphorus for copper and copper alloy seamless pipes, to connect the refrigerant pipes. Use refrigerant pipes with the thicknesses specified in the table below. Make sure the insides of the pipes are clean and do not contain any harmful contaminants such as sulfuric compounds, oxidants, debris, or dust.

#### ⚠ Warning:

When installing or relocating, or servicing the air conditioner, use only the specified refrigerant written on outdoor unit to charge the refrigerant lines. Do not mix it with any other refrigerant and do not allow air to remain in the lines.

If air is mixed with the refrigerant, then it can be the cause of abnormal high pressure in the refrigerant line, and may result in an explosion and other hazards.

The use of any refrigerant other than that specified for the system will cause mechanical failure or system malfunction or unit breakdown. In the worst case, this could lead to a serious impediment to securing product safety.

ø6.35 mm, 1/4 inch thickness 0.8 mm, 1/32 inch	ø9.52 mm, 3/8 inch thickness 0.8 mm, 1/32 inch
ø12.7 mm, 1/2 inch thickness 0.8 mm, 1/32 inch	ø15.88 mm, 5/8 inch thickness 1.0 mm, 3/64 inch

- Do not use pipes thinner than those specified above.

### 4.2. Connecting pipes (Fig. 4-1)

- When commercially available copper pipes are used, wrap liquid and gas pipes with commercially available insulation materials (heat-resistant to 100 °C, 212 °F or more, thickness of 12 mm, 1/2 inch or more).
- The indoor parts of the drain pipe should be wrapped with polyethylene foam insulation materials (specific gravity of 0.03, thickness of 9 mm, 23/64 inch or more).
- Apply thin layer of refrigerant oil to pipe and joint seating surface before tightening flare nut.
- Use two wrenches to tighten piping connections.
- Use refrigerant piping insulation provided to insulate indoor unit connections. Insulate carefully.
- After connecting the refrigerant piping to the indoor unit, be sure to test the pipe connections for gas leakage with nitrogen gas. (Check that there is no refrigerant leakage from the refrigerant piping to the indoor unit.)
- Use flared nut installed to this indoor unit.
- In case of reconnecting the refrigerant pipes after detaching, make the flared part of pipe re-fabricated.

(B) Flare nut tightening torque

Copper pipe O.D. (mm, inch)	Flare nut O.D. (mm, inch)	Tightening torque (N·m, ft·lbs)
ø6.35, 1/4	17, 43/64	14 - 18, 10 - 13
ø12.7, 1/2	28, 1-7/64	49 - 61, 35 - 44

- (C) Apply refrigerating machine oil over the entire flare seat surface. Do not apply refrigerating machine oil to the screw portions. (This will make the flare nuts more apt to loosen.)
- (D) Be certain to use the flare nuts that are attached to the main unit. (Use of commercially-available products may result in cracking.)

#### ⚠ Warning:

When installing the unit, securely connect the refrigerant pipes before starting the compressor.

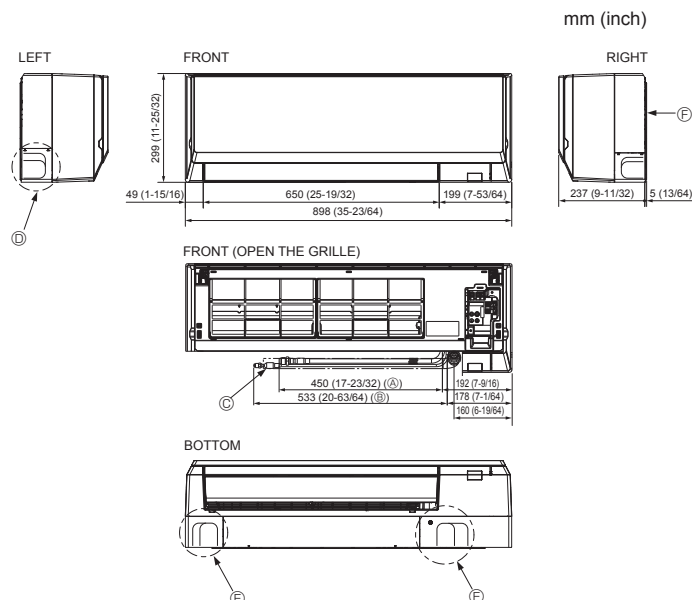


Fig. 4-3

### 4.3. Positioning refrigerant and drain piping (Fig. 4-3)

- (A) Gas pipe
  - (B) Liquid pipe
  - (C) Drain hose (Effective length: 500 mm, 19-11/16 inch)
  - (D) Left-side piping knockout hole
  - (E) Right-side piping knockout hole
  - (F) Lower piping knockout hole
  - (G) Mount board (D)
- \* Indicates the condition with accessories mounted.

## 4. Installing the refrigerant piping

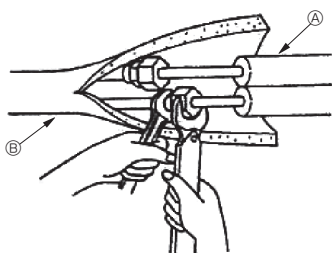


Fig. 4-4

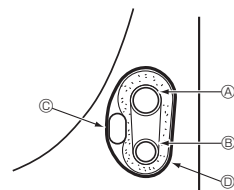


Fig. 4-5

### 4.4. Refrigerant piping (Fig. 4-4)

#### Indoor unit

1. Remove the flare nut and cap of the indoor unit.
2. Make a flare for the liquid pipe and gas pipe and apply refrigerating machine oil (available from your local supplier) to the flare sheet surface.
3. Quickly connect the on site cooling pipes to the unit.
4. Wrap the pipe cover that is attached to the gas pipe and make sure that the connection joint is not visible.
5. Wrap the pipe cover of the unit's liquid pipe and make sure that it covers the insulation material of the on site liquid pipe.
6. The portion where the insulation material is joined is sealed by taping.

- Ⓐ Site-side refrigerant piping
- Ⓑ Unit side refrigerant piping

#### 4.4.1. Storing in the piping space of the unit (Fig. 4-5)

1. Wrap the supplied felt tape in the range of the refrigerant piping which will be housed within the piping space of the unit to prevent dripping.
2. Overlap the felt tape at one-half of the tape width.
3. Fasten the end portion of the wrapping with vinyl tape, etc.

- Ⓐ Gas pipe
- Ⓑ Liquid pipe
- Ⓒ Indoor/outdoor connection cable
- Ⓓ Felt tape ③

## 5. Drainage piping work

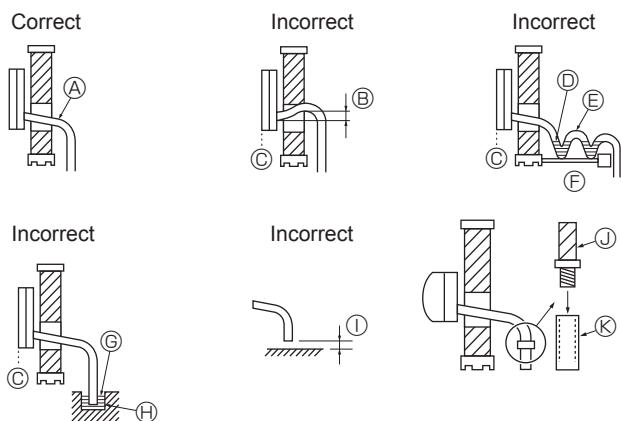


Fig. 5-1

### 5.1. Drainage piping work (Fig. 5-1)

- Drain pipes should have an inclination of 1/100 or more.
- For extension of the drain pipe, use a soft hose (inner dia. 15 mm, 19/32 inch) available on the market or hard vinyl chloride pipe (VP-16/O.D. ø22 mm, 55/64 inch PVC TUBE). Make sure that there is no water leakage from the connections.
- Do not put the drain piping directly in a drainage ditch where sulphuric gas may be generated.
- When piping has been completed, check that water flows from the end of the drain pipe.

#### ⚠ Caution:

The drain pipe should be installed according to this Installation Manual to ensure correct drainage. Thermal insulation of the drain pipes is necessary to prevent condensation. If the drain pipes are not properly installed and insulated, condensation may drip on the ceiling, floor or other possessions.

- Ⓐ Inclined downwards
- Ⓑ Must be lower than outlet point
- Ⓒ Water leakage
- Ⓓ Trapped drainage
- Ⓔ Air
- Ⓕ Wavy
- Ⓖ The end of drain pipe is under water.
- Ⓗ Drainage ditch
- Ⓛ 5 cm, 1-31/32 inch or less between the end of drain pipe and the ground.
- Ⓜ Drain hose
- Ⓚ Soft PVC hose (Inside diameter 15 mm, 19/32 inch)  
or  
Hard PVC pipe (VP-16)  
\* Bond with PVC type adhesive

### Preparing left and left rear piping (Fig. 5-2)

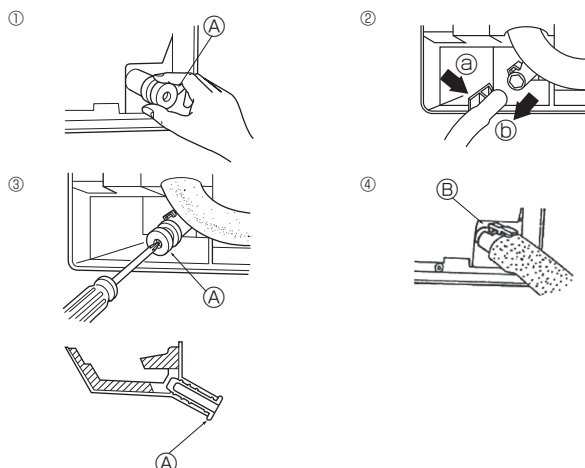


Fig. 5-2

- ① Remove the drain cap.

- Remove the drain cap by holding the bit that sticks out at the end of the pipe and pulling.

- Ⓐ Drain cap

- ② Remove the drain hose.

- Remove the drain hose by holding on to the base of the hose ② (shown by arrow) and pulling towards yourself ②.

- ③ Insert the drain cap.

- Insert a screwdriver etc into the hole at the end of the pipe and be sure to push to the base of the drain cap.

- ④ Insert the drain hose.

- Push the drain hose until it is at the base of the drain box connection outlet.

- Please make sure the drain hose hook is fastened properly over the extruding drain box connection outlet.

- Ⓑ Hooks



## 5. Drainage piping work

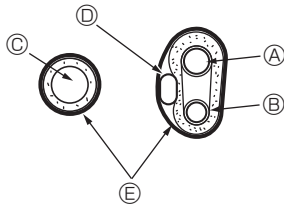


Fig. 5-3

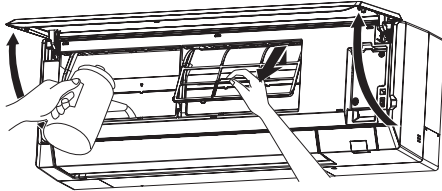


Fig. 5-4

### ◆ Storing in the piping space of the indoor unit (Fig. 5-3)

- \* When the drain hose will be routed indoors, be sure to wrap it with commercially available insulation.
- \* Gather the drain hose and the refrigerant piping together and wrap them with the supplied felt tape ③.
- \* Overlap the felt tape ③ at one-half of the tape width.
- \* Fasten the end portion of the wrapping with vinyl tape, etc.

- Ⓐ Gas pipe
- Ⓑ Liquid pipe
- Ⓒ Drain hose
- Ⓓ Indoor/outdoor connection wiring
- Ⓔ Felt tape ③

### ◆ Check of drainage (Fig. 5-4)

1. Open the front grille and remove the filter.
2. Facing the fins of the heat exchanger, slowly fill with water.
3. After the drainage check, attach the filter and close the grille.

## 6. Electrical work

### 6.1. Electric wiring

[Fig. 6-1]

Connection can be made without removing the front panel.

1. Open the front grille, remove the screw (2 pieces), and remove the electrical box cover.

\* Electrical work can be conducted more effectively with the panel removed. When attaching the panel, check that the hooks (S) at three locations on the air outlet side are connected securely.

2. Securely connect each wire to the terminal block.

\* In consideration of servicing, provide extra length for each of the wires.

\* Take care when using strand wires, because beards may cause the wiring to short out.

3. Install the parts that were removed back to their original condition.

4. When going through the right side of the indoor unit, cut out the removable section of the Corner box (E).

- (A) Front grille
- (B) Fixing screw
- (C) Electrical box cover
- (D) Fixing screw
- (E) Corner box
- (F) Conduit plate
- (G) Conduit cover
- (H) Fixing screw
- (I) Fixing screw
- (J) Remote control cable
- (K) Indoor-outdoor connection cable
- (L) Ground wire
- (M) Lock nut
- (N) Conduit joint
- (O) Conduit pipe
- (P) Ground wire connection portion
- (Q) MA remote control terminal block: (1, 2) do not have polarity
- (R) Terminal block for indoor and outdoor units connection: S1, S2 and S3, have polarity
- (S) Hook

#### ⚠ Caution:

Wiring for remote controller cable shall be apart (5 cm, 1-31/32 inch or more) from power source wiring so that it is not influenced by electric noise from power source wiring.

#### When going through the right side

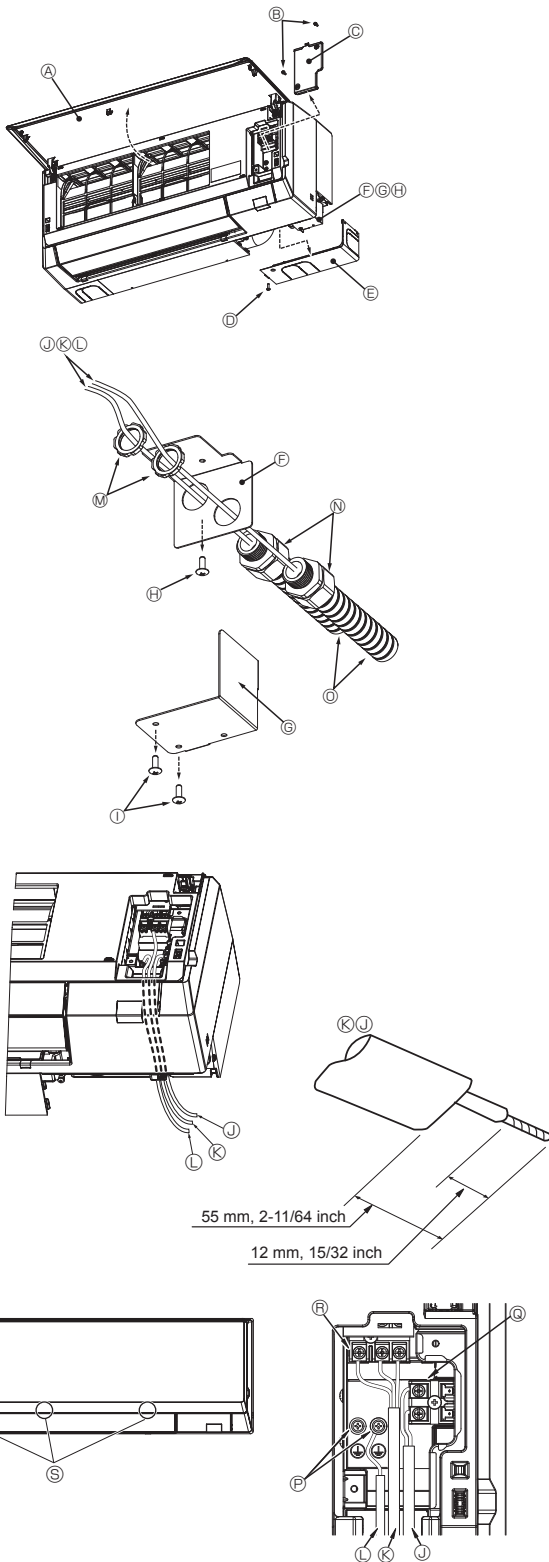
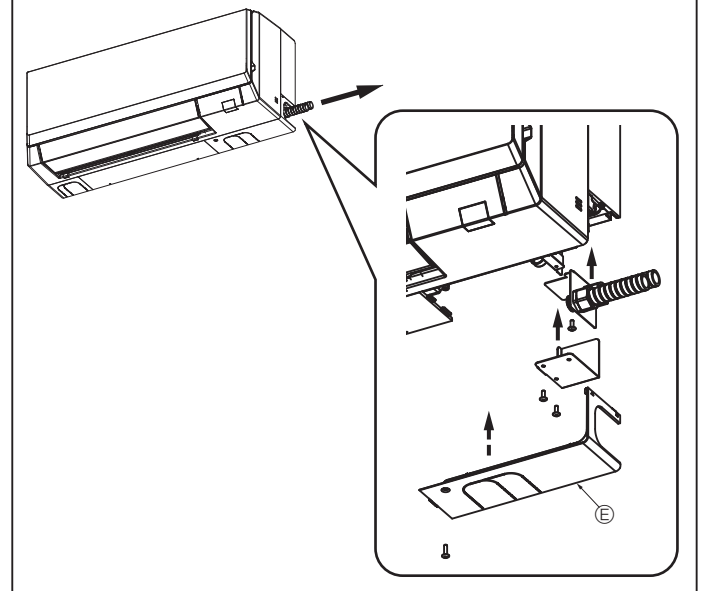


Fig. 6-1

#### <When wiring two indoor-outdoor connection cables>

- If the cables have the same diameter, insert them into the cut outs on both sides.
- If the cables have different diameters, insert them on one side into separate spaces with one cable positioned above the other.

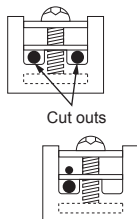
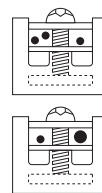


Fig. 6-2

#### ⚠ WARNING



- Connecting two wires on one side is prohibited.
- Connecting three wires or more to the same terminal is prohibited.
- Connecting wires with different diameters is prohibited.

When using a single cable, a round crimped terminal or other terminal work is prohibited.

Fig. 6-3

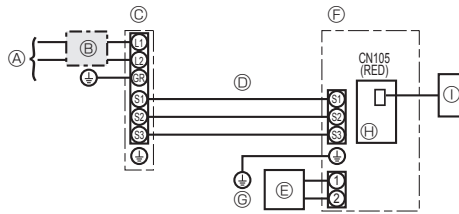
## 6. Electrical work

### 6.1.1. Indoor unit power supplied from outdoor unit

The following connection patterns are available.

The outdoor unit power supply patterns vary on models.

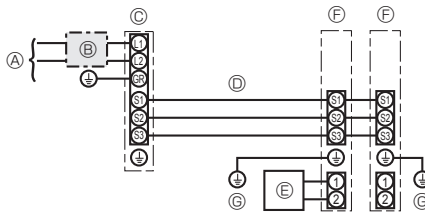
#### 1:1 System



- Ⓐ Outdoor unit power supply
- Ⓑ Wiring circuit breaker or isolating switch
- Ⓒ Outdoor unit
- Ⓓ Indoor unit/outdoor unit connecting cords
- Ⓔ Wired remote controller
- Ⓕ Indoor unit
- Ⓖ Indoor unit earth
- Ⓗ Indoor controller board
- Ⓘ Radio frequency interface for RF thermostat  
Only for 1:1 System

\* Affix a label A that is included with the manuals near each wiring diagram for the indoor and outdoor units.

#### Simultaneous twin system



#### ■ Only for wired remote controller.

- Ⓐ Outdoor unit power supply
- Ⓑ Wiring circuit breaker or isolating switch
- Ⓒ Outdoor unit
- Ⓓ Indoor unit/outdoor unit connecting cords
- Ⓔ Wired remote controller
- Ⓕ Indoor unit
- Ⓖ Indoor unit earth

\* Affix a label A that is included with the manuals near each wiring diagram for the indoor and outdoor units.

Indoor unit model		PKA-A-LA Series
Minimum circuit ampacity		1 A
Maximum rating of overcurrent protective device		15 A
Wiring Wire No. x size	Indoor unit-Outdoor unit	*1
	Indoor unit earth	1 × Min. AWG14
Wired remote controller-Indoor unit		*2
Circuit rating	Indoor unit-Outdoor unit S1-S2	*3
	Indoor unit-Outdoor unit S2-S3	*3 *4
	Wired remote controller-Indoor unit	*3

\*1. <For 12-36 outdoor unit application>

Max. 45 m, 148 ft

If AWG13 (2.5 mm<sup>2</sup>) used, Max. 50 m, 165 ft

If AWG13 (2.5 mm<sup>2</sup>) used and S3 separated, Max. 80 m, 263 ft

\*2. Max. 500 m, 1640 ft

(When using 2 remote controllers, the maximum wiring length for the remote controller cables is 200 m, 656 ft.)

\*3. The figures are NOT always against the ground.

S3 terminal has 24 V DC / 28 V DC against S2 terminal. However, between S3 and S1, these terminals are not electrically insulated by the transformer or other device.

\*4. It depends on the outdoor unit.

- Notes:**
1. Wiring size must comply with the applicable local and national code.
  2. Power supply cords and indoor unit/outdoor unit connecting cords shall not be lighter than polychloroprene sheathed flexible cord. (Design 60245 IEC 57)
  3. Use copper supply wires.
  4. Use wires rated 300 V or more for the power supply cords and the indoor unit/outdoor unit connecting cords.
  5. Install an earth longer than other cords.
  6. Indoor and outdoor connecting wires have polarities. Make sure to match the terminal number (S1, S2, S3) for correct wirings.

## 6. Electrical work

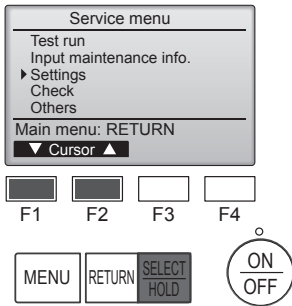


Fig. 6-4

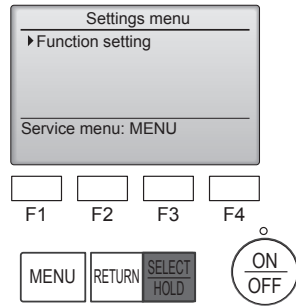


Fig. 6-5

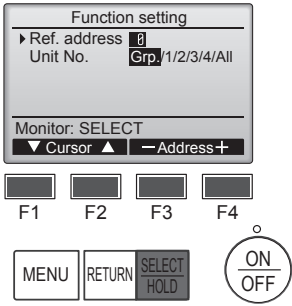


Fig. 6-6

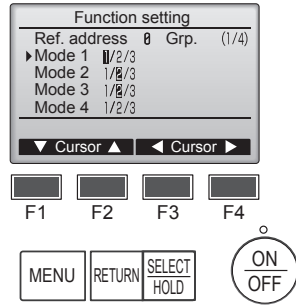


Fig. 6-7

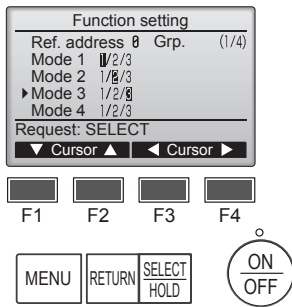


Fig. 6-8

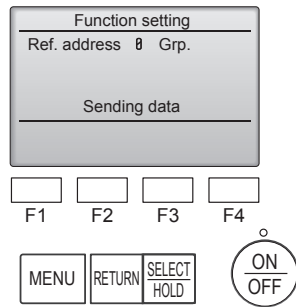


Fig. 6-9

### 6.2. Function settings

#### 6.2.1. By wired remote controller

- ① (Fig. 6-4)
  - Select "Service" from the Main menu, and press the [SELECT/HOLD] button.
  - Select "Settings" from the Service menu, and press the [SELECT/HOLD] button.
- ② (Fig. 6-5)
  - Select "Function settings" with the [SELECT/HOLD] button.
- ③ (Fig. 6-6)
  - Set the indoor unit refrigerant addresses and unit numbers with the [F1] through [F4] buttons, and then press the [SELECT/HOLD] button to confirm the current setting.

#### <Checking the Indoor unit No.>

When the [SELECT/HOLD] button is pressed, the target indoor unit will start fan operation. If the unit is common or when running all units, all indoor units for the selected refrigerant address will start fan operation.

- ④ (Fig. 6-7)
  - When data collection from the indoor units is completed, the current settings appears highlighted. Non-highlighted items indicate that no function settings are made. Screen appearance varies depending on the "Unit No." setting.
- ⑤ (Fig. 6-8)
  - Use the [F1] or [F2] button to move the cursor to select the mode number, and change the setting number with the [F3] or [F4] button.
- ⑥ (Fig. 6-9)
  - When the settings are completed, press the [SELECT/HOLD] button to send the setting data from the remote controller to the indoor units.
  - When the transmission is successfully completed, the screen will return to the Function setting screen.

#### Function table

Select unit number "Grp."

Mode	Settings	Mode no.	Setting no.	Initial setting	setting
Power failure automatic recovery	Not available	01	1		
	Available *1		2	○ *2	
Indoor temperature detecting	Indoor unit operating average	02	1	○	
	Set by indoor unit's remote controller		2		
	Remote controller's internal sensor		3		
LOSSNAY connectivity	Not Supported	03	1	○	
	Supported (indoor unit is not equipped with outdoor-air intake)		2		
	Supported (indoor unit is equipped with outdoor-air intake)		3		
Power voltage	230 V	04	1	○	
	208 V		2		

Select unit numbers 1 to 4 or "All"

Mode	Settings	Mode no.	Setting no.	Initial setting	setting
Filter sign	100 Hr	07	1	○	
	2500 Hr		2		
	No filter sign indicator		3		
Fan speed	Silent	08	1		
	Standard		2		
	High ceiling		3	○	
Fan speed during the cooling thermostat is OFF	Setting fan speed	27	1	○	
	Stop		2		
	Extra low		3		

\*1 When the power supply returns, the air conditioner will start 3 minutes later.

\*2 Power failure automatic recovery initial setting depends on the connecting outdoor unit.

## 7. Test run

### 7.1. Before test run

- ▶ After completing installation and the wiring and piping of the indoor and outdoor units, check for refrigerant leakage, looseness in the power supply or control wiring, wrong polarity, and no disconnection of one phase in the supply.
- ▶ Use a 500-volt megohmmeter to check that the resistance between the power supply terminals and ground is at least 1.0 MΩ.

- ▶ Do not carry out this test on the control wiring (low voltage circuit) terminals.

**⚠ Warning:**

**Do not use the air conditioner if the insulation resistance is less than 1.0 MΩ.**

### 7.2. Test run

#### 7.2.1. Using wired remote controller

- Make sure to read operation manual before test run. (Especially items to secure safety)

##### Step 1 Turn on the power.

- Remote controller: The system will go into startup mode, and the remote controller power lamp (green) and "Please Wait" will blink. While the lamp and message are blinking, the remote controller cannot be operated. Wait until "Please Wait" is not displayed before operating the remote controller. After the power is turned on, "Please Wait" will be displayed for approximately 3 minutes.
- Indoor controller board: LED 1 will be lit up, LED 2 will be lit up (if the address is 0) or off (if the address is not 0), and LED 3 will blink.
- Outdoor controller board: LED 1 (green) and LED 2 (red) will be lit up. (After the startup mode of the system finishes, LED 2 will be turned off.) If the outdoor controller board uses a digital display, [- ] and [- ] will be displayed alternately every second. If the operations do not function correctly after the procedures in step 2 and thereafter are performed, the following causes should be considered and eliminated if they are found. (The symptoms below occur during the test run mode. "Startup" in the table means the LED display written above.)

Symptoms in test run mode		Cause
Remote Controller Display	OUTDOOR BOARD LED Display < > indicates digital display.	
Remote controller displays "Please Wait", and cannot be operated.	After "startup" is displayed, only green lights up. <00>	• After power is turned on, "Please Wait" is displayed for 3 minutes during system startup. (Normal)
After power is turned on, "Please Wait" is displayed for 3 minutes, then error code is displayed.	After "startup" is displayed, green (once) and red (once) blink alternately. <F1>	• Incorrect connection of outdoor terminal block (L1, L2, GR and S1, S2, S3.)
	After "startup" is displayed, green (once) and red (twice) blink alternately. <F3, F5, F9>	• Outdoor unit's protection device connector is open.
No display appears even when remote controller operation switch is turned on. (Operation lamp does not light up.)	After "startup" is displayed, green (twice) and red (once) blink alternately. <EA, Eb>	• Incorrect wiring between the indoor and outdoor unit (Polarity is wrong for S1, S2, S3.) • Remote controller transmission wire short.
	After "startup" is displayed, only green lights up. <00>	• There is no outdoor unit of address 0. (Address is other than 0.) • Remote controller transmission wire open.
Display appears but soon disappears even when remote controller is operated.	After "startup" is displayed, only green lights up. <00>	• After canceling function selection, operation is not possible for about 30 seconds. (Normal)

##### Step 2 Switch the remote controller to "Test run".

- ① Select "Test run" from the Service menu, and press the [SELECT/HOLD] button. (Fig. 7-1)
- ② Select "Test run" from the Test run menu, and press the [SELECT/HOLD] button. (Fig. 7-2)
- ③ The test run operation starts, and the Test run operation screen is displayed.

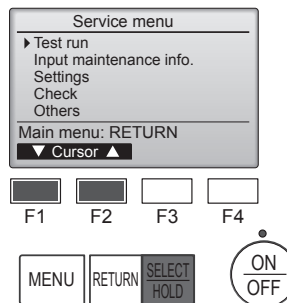


Fig. 7-1

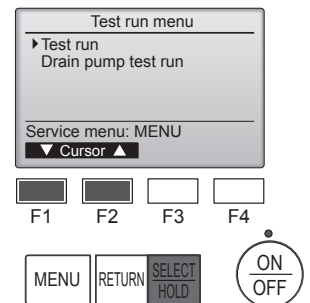


Fig. 7-2

##### Step 3 Perform the test run and check the airflow temperature and auto vane.

- ① Press the [F1] button to change the operation mode. (Fig. 7-3)  
Cooling mode: Check that cool air blows from the unit.  
Heating mode: Check that warm air blows from the unit.
- ② Press the [SELECT/HOLD] button to display the Vane operation screen, and then press the [F1] and [F2] buttons to check the auto vane. (Fig. 7-4)  
Press the [RETURN] button to return to the Test run operation screen.

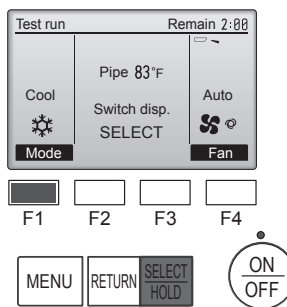


Fig. 7-3

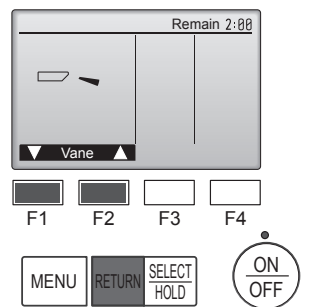


Fig. 7-4

en

## 7. Test run

### Step 4 Confirm the operation of the outdoor unit fan.

The speed of the outdoor unit fan is controlled in order to control the performance of the unit. Depending on the ambient air, the fan will rotate at a slow speed and will keep rotating at that speed unless the performance is insufficient. Therefore, the outdoor wind may cause the fan to stop rotating or to rotate in the opposite direction, but this is not a problem.

### Step 5 Stop the test run.

① Press the [ON/OFF] button to stop the test run. (The Test run menu will appear.)  
Note: If an error is displayed on the remote controller, see the table below.

LCD	Description of malfunction	LCD	Description of malfunction	LCD	Description of malfunction
P1	Intake sensor error	P9	Pipe sensor error (dual-wall pipe)	E0 – E5	Communication error between the remote controller and the indoor unit
P2	Pipe sensor error (liquid pipe)	PA	Leakage error (refrigerant system)		
P4	Drain float switch connector disconnected (CN4F)	Pb	Indoor unit fan motor error		
P5	Drain overflow protection operation	PL	Refrigerant circuit abnormal	E6 – EF	Communication error between the indoor unit and the outdoor unit
P6	Freezing/overheating protection operation	FB	Indoor controller board error		
P8	Pipe temperature error	U*, F* (* indicates an alphanumeric character excluding FB.)	Outdoor unit malfunction Refer to the wiring diagram for the outdoor unit.		

See the table below for the details of the LED display (LED 1, 2, and 3) on the indoor controller board.

LED 1 (microcomputer power supply)	Indicates whether control power is supplied. Make sure that this LED is always lit.
LED 2 (remote controller power supply)	Indicates whether power is supplied to the wired remote controller. The LED is lit only for the indoor unit that is connected to the outdoor unit that has an address of 0.
LED 3 (indoor/outdoor unit communication)	Indicates whether the indoor and outdoor units are communicating. Make sure that this LED is always blinking.

### 7.2.2. Using wireless remote controller

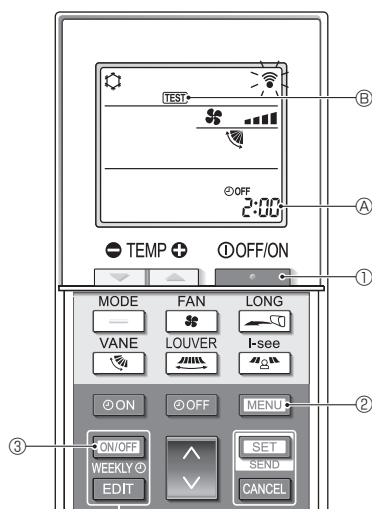


Fig. 7-5

#### ■ Test run (Fig. 7-5)

- Press the **ON/OFF** button ① to stop the air conditioner.
  - If the weekly timer is enabled (**WEEKLY** is on), press the **ON/OFF WEEKLY** button ③ to disable it (**WEEKLY** is off).
- Press the **MENU** button ② for 5 seconds.
  - CHECK** comes on and the unit enters the service mode.
- Press the **MENU** button ②.
  - TEST** ⑥ comes on and the unit enters the test run mode.
- Press the following buttons to start the test run.
  - MODE**: Switch the operation mode between cooling and heating and start the test run.
  - FAN**: Switch the fan speed and start the test run.
  - LOUVER**: Switch the airflow direction and start the test run.
  - I-see**: Switch the louver and start the test run.
  - SET**: Start the test run.
- Stop the test run.
  - Press the **ON/OFF** button ① to stop the test run.
  - After 2 hours, the stop signal is transmitted.

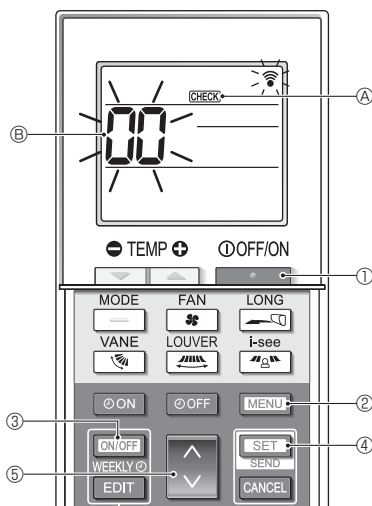


Fig. 7-6

#### ■ Self-check (Fig. 7-6)

- Press the **ON/OFF** button ① to stop the air conditioner.
  - If the weekly timer is enabled (**WEEKLY** is on), press the **ON/OFF WEEKLY** button ③ to disable it (**WEEKLY** is off).
- Press the **MENU** button ② for 5 seconds.
  - CHECK** ④ comes on and the unit enters the self-check mode.
- Press the **DOWN** button ⑤ to select the refrigerant address (M-NET address) ⑥ of the indoor unit for which you want to perform the self-check.
- Press the **SET** button ④.
  - If an error is detected, the check code is indicated by the number of beeps from the indoor unit and the number of blinks of the OPERATION INDICATOR lamp.
- Press the **ON/OFF** button ①.
  - CHECK** ④ and the refrigerant address (M-NET address) ⑥ go off and the self-check is completed.

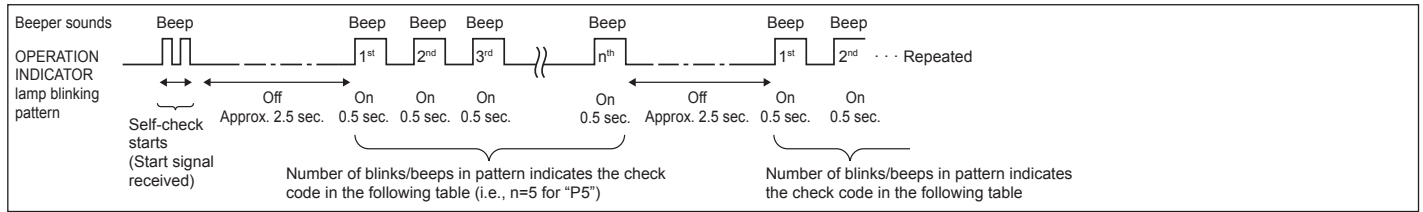
## 7. Test run

### 7.3. Self-check

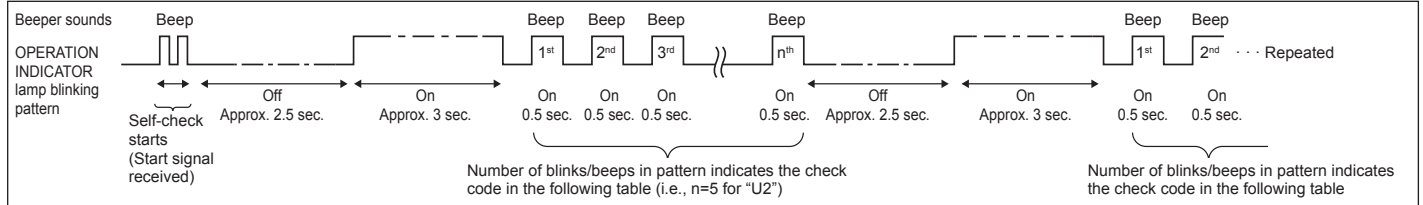
- Refer to the installation manual that comes with each remote controller for details.

- Refer to the following tables for details on the check codes. (Wireless remote controller)

[Output pattern A]



[Output pattern B]



[Output pattern A] Errors detected by indoor unit

Wireless remote controller	Wired remote controller	Symptom	Remark
Beeper sounds/OPERATION INDICATOR lamp blinks (Number of times)	Check code		
1	P1	Intake sensor error	
2	P2	Pipe (TH2) sensor error	
	P9	Pipe (TH5) sensor error	
3	E6, E7	Indoor/outdoor unit communication error	
4	P4	Drain sensor error/Float switch connector open	
5	P5	Drain pump error	
	PA	Forced compressor error	
6	P6	Freezing/Overheating protection operation	
7	EE	Communication error between indoor and outdoor units	
8	P8	Pipe temperature error	
9	E4	Remote controller signal receiving error	
10	—	—	
11	Pb	Indoor unit fan motor error	
12	Fb	Indoor unit control system error (memory error, etc.)	
14	PL	Refrigerant circuit abnormal	
No sound	E0, E3	Remote controller transmission error	
No sound	E1, E2	Remote controller control board error	
No sound	— — —	No corresponding	

\*1 If the beeper does not sound again after the initial 2 beeps to confirm the self-check start signal was received and the OPERATION INDICATOR lamp does not come on, there are no error records.

\*2 If the beeper sounds 3 times continuously "beep, beep, beep (0.4 + 0.4 + 0.4 sec.);" after the initial 2 beeps to confirm the self-check start signal was received, the specified refrigerant address is incorrect.

- On wireless remote controller  
The continuous buzzer sounds from receiving section of indoor unit.  
Blink of operation lamp
- On wired remote controller  
Check code displayed in the LCD.

## 7. Test run

[Output pattern B] Errors detected by unit other than indoor unit (outdoor unit, etc.)

Wireless remote controller	Wired remote controller	Symptom	Remark
Beeper sounds/OPERATION INDICATOR lamp blinks (Number of times)	Check code		
1	E9	Indoor/outdoor unit communication error (Transmitting error) (Outdoor unit)	For details, check the LED display of the outdoor controller board.
2	UP	Compressor overcurrent interruption	
3	U3, U4	Open/short of outdoor unit thermistors	
4	UF	Compressor overcurrent interruption (When compressor locked)	
5	U2	Abnormal high discharging temperature/49C worked/insufficient refrigerant	
6	U1, Ud	Abnormal high pressure (63H worked)/Overheating protection operation	
7	U5	Abnormal temperature of heat sink	
8	U8	Outdoor unit fan protection stop	
9	U6	Compressor overcurrent interruption/Abnormal of power module	
10	U7	Abnormality of super heat due to low discharge temperature	
11	U9, UH	Abnormality such as overvoltage or voltage shortage and abnormal synchronous signal to main circuit/Current sensor error	
12	—	—	
13	—	—	
14	Others	Other errors (Refer to the technical manual for the outdoor unit.)	

\*1 If the beeper does not sound again after the initial 2 beeps to confirm the self-check start signal was received and the OPERATION INDICATOR lamp does not come on, there are no error records.

\*2 If the beeper sounds 3 times continuously “beep, beep, beep (0.4 + 0.4 + 0.4 sec.)” after the initial 2 beeps to confirm the self-check start signal was received, the specified refrigerant address is incorrect.

- On wireless remote controller  
The continuous buzzer sounds from receiving section of indoor unit.  
Blink of operation lamp
- On wired remote controller  
Check code displayed in the LCD.

• If the unit cannot be operated properly after test run, refer to the following table to find the cause.

Symptom		Cause
Wireless remote controller	LED 1, 2 (PCB in outdoor unit)	
Please Wait	For about 3 minutes after power-on	•After LED 1, 2 are lighted, LED 2 is turned off, then only LED 1 is lighted. (Correct operation)
Please Wait → Error code	Subsequent to about 3 minutes after power-on	•Connector for the outdoor unit's protection device is not connected. Reverse or open phase wiring for the outdoor unit's power terminal block (L1, L2, GR)
		•Incorrect wiring between indoor and outdoor units (incorrect polarity of S1, S2, S3) •Remote controller wire short
Display messages do not appear even when operation switch is turned ON (operation lamp does not light up).		

On the wireless remote controller with condition above, following phenomena take place.

- No signals from the remote controller are accepted.
- Operation lamp is blinking.
- The buzzer makes a short ping sound.

### Note:

**Operation is not possible for about 30 seconds after cancellation of function selection. (Correct operation)**

For description of each LED (LED 1, 2, 3) provided on the indoor controller, refer to page 13.

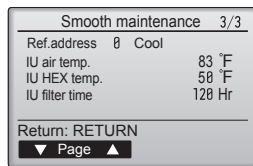
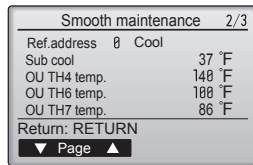
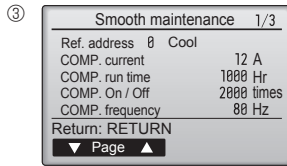
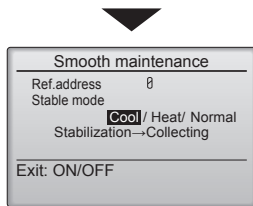
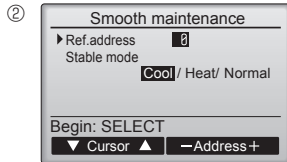
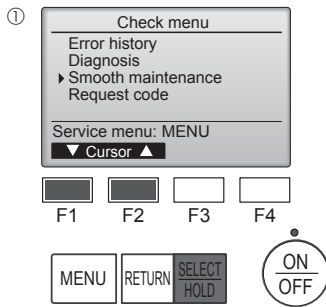


## 8. Easy maintenance function

Maintenance data, such as the indoor/outdoor unit's heat exchanger temperature and compressor operation current can be displayed with "Smooth maintenance".

\* This cannot be executed during test operation.

\* Depending on the combination with the outdoor unit, this may not be supported by some models.



- Select "Service" from the Main menu, and press the [SELECT/HOLD] button.
- Select "Check" with the [F1] or [F2] button, and press the [SELECT/HOLD] button.
- Select "Smooth maintenance" with the [F1] or [F2] button, and press the [SELECT/HOLD] button.

Select each item.

- Select the item to be changed with the [F1] or [F2] button.
- Select the required setting with the [F3] or [F4] button.  
 "Ref. address" setting ..... "0" - "15"  
 "Stable mode" setting..... "Cool" / "Heat" / "Normal"
- Press the [SELECT/HOLD] button, fixed operation will start.  
 \* Stable mode will take approx. 20 minutes.

The operation data will appear.

The Compressor-Accumulated operating (COMP. run) time is 10-hour unit, and the Compressor-Number of operation times (COMP. On/Off) is a 100-time unit (fractions discarded)

### Navigating through the screens

- To go back to the Service menu.....[MENU] button
- To return to the previous screen ..... [RETURN] button

# Table des matières

1. Consignes de sécurité.....	1	5. Mise en place du tuyau d'écoulement.....	7
2. Emplacement pour l'installation.....	2	6. Installations électriques.....	9
3. Installation de l'appareil intérieur.....	3	7. Marche d'essai.....	12
4. Installation de la tuyauterie du réfrigérant.....	6	8. Fonction d'entretien aisé.....	16

## Remarque :

Dans le présent manuel d'utilisation, l'expression "Télécommande filaire" fait référence au modèle PAR-40MAA. Pour toute information relative à un autre modèle de télécommande, reportez-vous au manuel d'installation fourni avec la télécommande en option.

## 1. Consignes de sécurité

- ▶ Avant d'installer le climatiseur, lire attentivement toutes les "Consignes de sécurité".
- ▶ Les "Consignes de sécurité" reprennent des points très importants concernant la sécurité. Veillez bien à les suivre.
- ▶ Il est nécessaire de consulter ou d'obtenir l'autorisation de la compagnie d'électricité concernée avant de connecter le système.

### Symboles utilisés dans le texte

#### ⚠ Avertissement :

Précautions à suivre pour éviter tout danger de blessure ou de décès de l'utilisateur.

#### ⚠ Précaution :

Décrit les précautions qui doivent être prises pour éviter d'endommager l'appareil.

#### ⚠ Avertissement :

- Prendre soin de lire les étiquettes se trouvant sur l'appareil principal.
- Contacter un revendeur ou un technicien agréé pour installer, déplacer et réparer l'appareil.
- N'essayez jamais de réparer ou de déplacer vous-même l'appareil.
- Pour l'installation et le déplacement, suivre les instructions fournies dans le manuel d'installation et utiliser des outils et des éléments de tuyauterie spécifiquement conçus pour l'utilisation avec le réfrigérant indiqué dans le manuel d'installation de l'appareil extérieur.
- L'appareil doit être installé conformément aux instructions pour réduire les risques de dommages liés à des tremblements de terre, des typhons ou des vents violents. Une installation incorrecte peut entraîner la chute de l'appareil et provoquer des dommages ou des blessures.
- Ne pas modifier l'appareil. Cela pourrait provoquer un risque d'incendie, d'électrocution, de blessure ou de fuite d'eau.
- L'appareil doit être solidement installé sur une structure pouvant supporter son poids.
- L'appareil sera stocké dans une zone bien ventilée où la taille des pièces correspond à la surface des pièces spécifiée pour le fonctionnement.
- Si le climatiseur est installé dans une petite pièce ou dans un local fermé, certaines mesures doivent être prises pour éviter que la concentration de réfrigérant ne dépasse le seuil de sécurité en cas de fuite de réfrigérant. En cas de fuite de réfrigérant et de dépassement du seuil de concentration, des risques liés au manque d'oxygène dans la pièce peuvent survenir.
- Tenir les appareils à gaz, les radiateurs électriques et autres sources d'incendie (sources d'inflammation) à l'écart des lieux où l'installation, les réparations et autres travaux sur le climatiseur seront effectués.  
Tout contact du réfrigérant avec une flamme libère des gaz toxiques.
- Aérer la pièce en cas de fuite de réfrigérant lors de l'utilisation. Le contact du réfrigérant avec une flamme peut provoquer des émanations de gaz toxiques.
- Tout travail sur les installations électriques doit être effectué par un technicien qualifié conformément aux réglementations locales et aux instructions fournies dans ce manuel.
- Ne pas utiliser de raccordement intermédiaire des fils électriques.
- N'utiliser que les câbles spécifiés pour les raccordements. Les raccordements doivent être réalisés correctement sans tension sur les bornes. Ne jamais effectuer de jonction sur les câbles (sauf en cas d'indications contraires). Le non respect de cette consigne peut entraîner une surchauffe ou un incendie.
- Lors de l'installation, du déplacement ou de l'entretien du climatiseur, n'utilisez que le réfrigérant indiqué sur l'appareil extérieur pour remplir les tuyaux de réfrigérant. Ne pas le mélanger avec un autre réfrigérant et faire le vide d'air dans les tuyaux. Si du réfrigérant est mélangé avec de l'air, cela peut provoquer des pointes de pression dans les tuyaux de réfrigérant et entraîner une explosion et d'autres risques.

### Symboles utilisés dans les illustrations

⏚ : Indique un élément qui doit être mis à la terre.

⊘ : À éviter absolument.

Une fois l'installation terminée, expliquer les "Consignes de sécurité", l'utilisation et l'entretien de l'appareil au client conformément aux informations du mode d'emploi et effectuer l'essai de fonctionnement en continu pour garantir un fonctionnement normal. Le manuel d'installation et le mode d'emploi doivent être fournis à l'utilisateur qui doit les conserver. Ces manuels doivent également être transmis aux nouveaux utilisateurs.

- L'utilisation d'un réfrigérant différent de celui spécifié pour le climatiseur peut entraîner des défaillances mécaniques, des dysfonctionnements du système ou une panne de l'appareil. Dans le pire des cas, cela peut entraîner un obstacle à la mise en sécurité du produit.
- L'appareil doit être installé conformément aux réglementations nationales relatives au câblage.
- Cet appareil n'est pas conçu pour être utilisé par des personnes (y compris des enfants) présentant des capacités physiques, sensorielles ou mentales réduites, ou manquant d'expérience et de connaissances, à moins qu'elles ne soient supervisées ou aient reçu des instructions relatives à l'utilisation de l'appareil par une personne responsable de leur sécurité.
- Les enfants doivent être surveillés pour s'assurer qu'ils ne jouent pas avec l'appareil.
- Le couvercle du bloc de sortie de l'appareil doit être solidement fixé.
- Si le cordon d'alimentation est endommagé, il doit être remplacé par le fabricant, ses revendeurs ou un technicien qualifié pour éviter tout danger de choc électrique.
- Utilisez uniquement des accessoires autorisés et demandez à un revendeur ou à un technicien agréé de les installer.
- Si les accessoires ne sont pas correctement installés, une fuite d'eau, un choc électrique ou un incendie peut se produire.
- Une fois l'installation terminée, vérifier les éventuelles fuites de réfrigérant. Si le réfrigérant fuit dans la pièce et entre en contact avec la flamme d'un chauffage ou d'une cuisinière, des gaz toxiques peuvent se dégager.
- Ne faites usage d'aucun moyen visant à accélérer le processus de dégivrage ou à nettoyer autre que ceux recommandés par le fabricant.
- L'appareil doit être rangé dans une pièce ne contenant aucune source d'allumage continue (exemple : flammes nues, appareil à gaz ou chauffage électrique).
- Ne percez pas et ne brûlez pas l'appareil.
- Sachez que les réfrigérants peuvent être inodores.
- La tuyauterie doit être protégée contre tout dommage physique.
- L'installation de tuyauterie doit être limitée au strict minimum.
- Les réglementations nationales sur les gaz doivent être respectées.
- Gardez les ouvertures de ventilation libres d'obstruction.
- Ne pas utiliser d'alliage de soudure à basse température pour le brasage des tuyaux de réfrigérant.
- Lors de travaux de soudure, veiller à assurer une ventilation suffisante de la pièce. Veiller à ce qu'aucun matériau dangereux ou inflammable ne se trouve à proximité. Si le travail est effectué dans une pièce fermée, de petite taille ou un endroit similaire, vérifier l'absence de toute fuite de réfrigérant avant de commencer le travail. Si le réfrigérant fuit et s'accumule, il risque de s'enflammer et des gaz toxiques peuvent se dégager.

# 1. Consignes de sécurité

## 1.1. Avant l'installation (Environnement)

### ⚠ Précaution :

- Ne pas utiliser l'appareil dans un environnement inhabituel. Si le climatiseur est installé dans des endroits exposés à la vapeur, à l'huile volatile (notamment l'huile de machine), au gaz sulfurique ou à une forte teneur en sel, par exemple, en bord de mer, les performances peuvent considérablement diminuer et les pièces internes de l'appareil être endommagées.
- Ne pas installer l'appareil dans des endroits où des gaz de combustion peuvent s'échapper, se dégager ou s'accumuler. L'accumulation de gaz de combustion autour de l'appareil peut provoquer un incendie ou une explosion.
- Ne pas placer d'aliments, de plantes, d'animaux en cage, d'objets d'art ou d'instruments de précision dans la soufflerie d'air direct de l'appareil intérieur ou à proximité de l'appareil au risque de les endommager par des variations de température ou des gouttes d'eau.

- Si l'humidité ambiante dépasse 80% ou si le tuyau d'écoulement est bouché, des gouttes d'eau peuvent tomber de l'appareil intérieur. Ne pas installer l'appareil intérieur dans un endroit où ces gouttes peuvent provoquer des dommages.
- Lors de l'installation de l'appareil dans un hôpital ou un centre de communications, se préparer au bruit et aux interférences électroniques. Les inverseurs, les appareils électroménagers, les équipements médicaux haute fréquence et de communications radio peuvent provoquer un dysfonctionnement ou une défaillance du climatiseur. Le climatiseur peut également endommager les équipements médicaux et de communications, perturbant ainsi les soins et réduisant la qualité d'affichage des écrans.

## 1.2. Avant l'installation ou le déplacement

### ⚠ Précaution :

- Transporter les appareils avec précaution. L'appareil doit être transporté par au moins deux personnes, car il pèse 20 kg minimum. Ne pas le saisir par les rubans d'emballage. Porter des gants de protection en raison du risque de se blesser les mains sur les ailettes ou d'autres pièces.
- Veiller à éliminer le matériel d'emballage en toute sécurité. Le matériel d'emballage (clous et autres pièces en métal ou en bois) peut provoquer des blessures.
- Isoler le tuyau de réfrigérant pour éviter la condensation. S'il n'est pas correctement isolé, de la condensation risque de se former.

- Placer un isolant thermique sur les tuyaux pour éviter la condensation. L'installation incorrecte du tuyau d'écoulement peut provoquer des fuites d'eau et endommager le plafond, le sol, les meubles ou d'autres objets.
- Ne pas nettoyer le climatiseur à l'eau au risque de provoquer un choc électrique.
- Serrer tous les écrous évasés conformément aux spécifications à l'aide d'une clé dynamométrique. S'ils sont trop serrés, ils peuvent casser après une période prolongée.

## 1.3. Avant l'installation électrique

### ⚠ Précaution :

- Veiller à installer des coupe-circuits. Dans le cas contraire, un choc électrique peut se produire.
- Pour les lignes électriques, utiliser des câbles standard de capacité suffisante. Dans le cas contraire, un court-circuit, une surchauffe ou un incendie peut se produire.
- Lors de l'installation des lignes électriques, ne pas mettre les câbles sous tension.

- Veiller à mettre l'appareil à la terre. Une mise à la terre incorrecte de l'appareil peut provoquer un choc électrique.
- Utiliser des coupe-circuits (disjoncteur de fuite à la terre, interrupteur d'isolement (fusible +B) et disjoncteur à boîtier moulé) à la capacité spécifiée. Si la capacité du coupe-circuit est supérieure à celle spécifiée, une défaillance ou un incendie peut se produire.

## 1.4. Avant la marche d'essai

### ⚠ Précaution :

- Activer l'interrupteur principal au moins 12 heures avant la mise en fonctionnement de l'appareil. L'utilisation de l'appareil juste après sa mise sous tension peut endommager sérieusement les pièces internes.
- Avant d'utiliser l'appareil, vérifier que tous les panneaux, toutes les protections et les autres pièces de sécurité sont correctement installés. Les pièces tournantes, chaudes ou à haute tension peuvent provoquer des blessures.

- Ne pas utiliser le climatiseur si le filtre à air n'est pas installé. Sinon, des poussières peuvent s'accumuler et endommager l'appareil.
- Ne pas toucher les interrupteurs les mains humides au risque de provoquer un choc électrique.
- Ne pas toucher les tuyaux de réfrigérant les mains nues lors de l'utilisation.
- A la fin de l'utilisation de l'appareil, attendre au moins cinq minutes avant de désactiver l'interrupteur principal. Dans le cas contraire, une fuite d'eau ou une défaillance peut se produire.

# 2. Emplacement pour l'installation

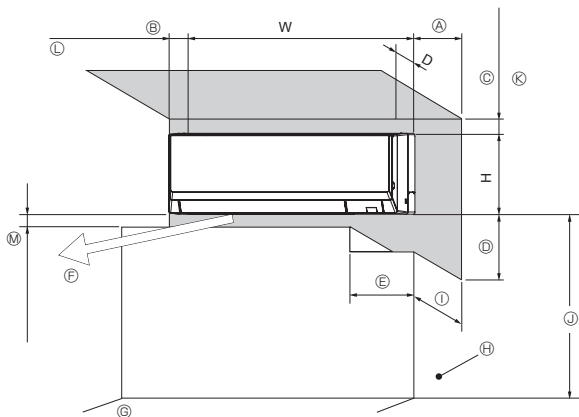


Fig. 2-1

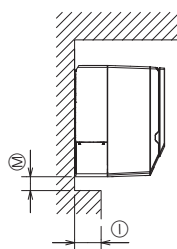


Fig. 2-2

## 2.1. Dimensions externes (Appareil intérieur)

(Fig. 2-1, 2-2)

Choisir un emplacement approprié en prenant compte des espaces suivants pour l'installation et l'entretien.

(mm, pouces)

D	W	H	A	B	C	D	E
237	898	299	Min. 150	Min. 50	Min. 50	Min. 250	Min. 260
9-11/32	35-23/64	11-25/32	Min. 5-29/32	Min. 1-31/32	Min. 1-31/32	Min. 9-27/32	Min. 10-1/4

- Ⓓ Sortie d'air : ne placer aucun obstacle à moins de 1 500 mm, 59-1/16 pouces de la sortie d'air.
- Ⓔ Surface du sol
- Ⓕ Mobilier
- Ⓖ Lorsqu'une traverse dépasse du mur de plus de 60 mm, 2-23/64 pouces, une distance supplémentaire est nécessaire car le flux d'air du ventilateur peut créer un cycle court.
- Ⓗ 1 800 mm, 70-55/64 pouces minimum de la surface du sol (pour montage en hauteur)
- Ⓚ 75 mm, 2-61/64 pouces ou plus avec tuyauterie gauche, arrière gauche ou inférieure gauche et installation d'une pompe de vidange en option. (Utilisez le crochet positionné sur la partie inférieure du panneau de montage si la dimension est comprise entre 55 mm, 2-11/64 pouces et 75 mm, 2-61/64 pouces (moins de 55 mm, 2-11/64 pouces : dimension incorrecte). Reportez-vous à la section 3.5. pour plus de détails.)
- Ⓛ 350 mm, 13-25/32 pouces minimum avec installation d'une pompe de vidange en option
- Ⓜ Reportez-vous à la Fig. 2-2

(mm, pouces)

Ⓜ	Ⓘ		Avec POMPE DE DRAINAGE en option
	60 ou moins 2-23/64 ou moins	Plus de 60 Plus de 2-23/64	
	Min. 7 Min. 9/32	Min. 60 Min. 2-23/64	Min. 250 Min. 9-27/32

\* Veuillez laisser du jeu pour le mouvement de l'ailette.

### 3. Installation de l'appareil intérieur

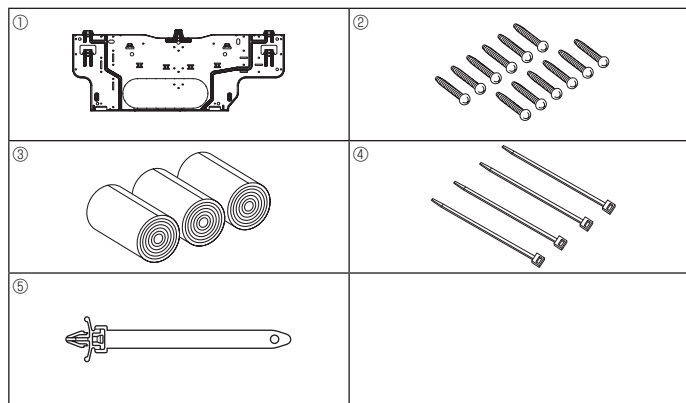


Fig. 3-1

#### 3.1. Vérifier les accessoires qui accompagnent l'appareil intérieur (Fig. 3-1)

L'appareil intérieur doit être livré avec les accessoires suivants:

RÉFÉRENCE	ACCESSOIRE	QUANTITÉ	EMPLACEMENT DES RÉGLAGES
①	Planche d'installation	1	Fixer à l'arrière de l'appareil
②	Vis autotaraudeuses 4 x 25	12	
③	Bande de feutre	3	
④	Bande	4	
⑤	Attache	1	

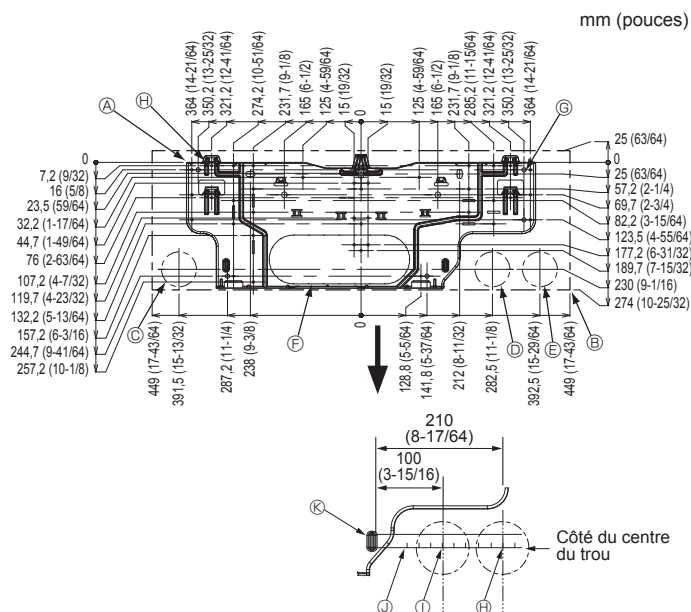


Fig. 3-2

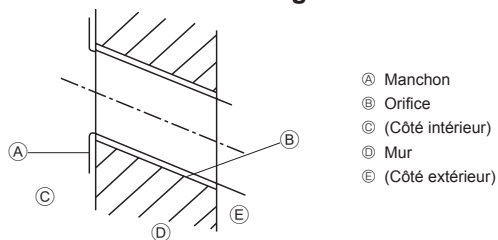


Fig. 3-3

#### 3.2. Installation de la structure de montage mural

##### 3.2.1. Installation de la structure de montage mural et mise en place des tuyaux

► A l'aide de la structure de montage mural, déterminer l'emplacement d'installation de l'appareil et le lieu de forage des orifices pour les tuyaux.

##### ⚠ Avertissement :

Avant de forer un trou dans le mur, veuillez demander l'autorisation au responsable de l'édifice.

##### [Fig. 3-2]

- Ⓐ Planche d'installation ①
- Ⓑ Appareil intérieur
- Ⓒ Orifice de tuyau arrière gauche inférieur (ø75 mm, 2-61/64 pouces)
- Ⓓ Orifice de tuyau arrière droit inférieur (ø75 mm, 2-61/64 pouces)
- Ⓔ Orifice de câble de climatiseur arrière droit inférieur (ø75 mm, 2-61/64 pouces)
- Ⓕ Orifice défonçable pour orifice arrière gauche (105 x 300 mm, 3-15/16 x 11-13/16 pouces)
- Ⓖ Orifice de boulon (4-ø9 mm, 23/64 pouce)
- Ⓗ Avant-trou (6-ø4,3 mm, 11/64 pouce)
- Ⓚ Orifice central
- Ⓛ Aligner la balance avec la ligne.
- Ⓜ Insérer la balance.

##### 3.2.2. Forage de l'orifice des tuyaux (Fig. 3-3)

► Utiliser un foret alésoir pour percer dans le mur un trou de 75 à 80 mm, 2-61/64 - 3-5/32 pouces de diamètre dans la direction de la tuyauterie, à l'endroit indiqué sur le diagramme à gauche.

► L'orifice de pénétration dans le mur doit être incliné de telle sorte que l'ouverture extérieure soit plus basse que l'ouverture intérieure.

► Insérer un manchon (de 75 mm, 2-61/64 pouces de diamètre - non fourni) dans l'orifice.

##### Remarque :

L'orifice de pénétration doit être incliné afin d'augmenter le débit.

## 3. Installation de l'appareil intérieur

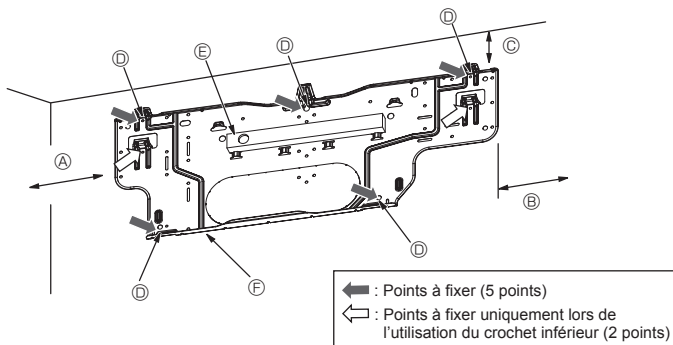


Fig. 3-4

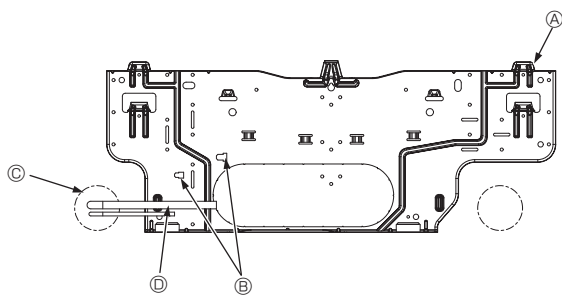


Fig. 3-5

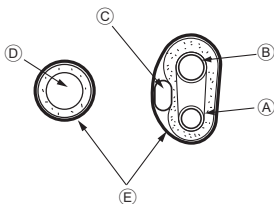


Fig. 3-6

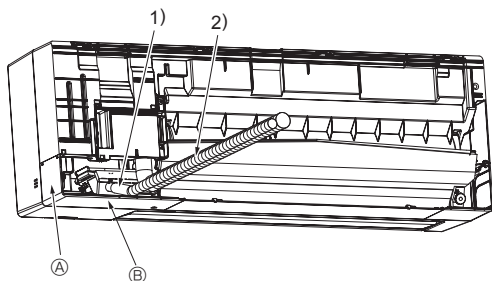


Fig. 3-7

### 3.2.3. Installation du support de montage mural

- ▶ L'appareil extérieur pesant près de 13 kg, 29 lbs, choisir l'emplacement de montage en tenant bien compte de ce fait. Si le mur ne semble pas être assez résistant, le renforcer avec des planches ou des poutres avant d'installer l'appareil.
- ▶ La structure de montage doit être attachée à ses deux extrémités et au centre, si possible. Ne jamais la fixer à un seul endroit ou de manière asymétrique. (Si possible, attacher la structure à tous les points indiqués par une flèche en caractères gras.)

#### ⚠ Avertissement :

Si possible, attacher la structure à tous les points marqués d'une flèche en caractères gras.

#### ⚠ Précaution :

- Le corps de l'appareil doit être monté à l'horizontale.
- Fixez au niveau des trous comme indiqué par les flèches.

#### (Fig. 3-4)

- Ⓐ Min. 119 mm, 4-11/16 pouces (669 mm, 26-11/32 pouces minimum avec installation d'une pompe de vidange en option)
- Ⓑ Min. 224 mm, 8-13/16 pouces
- Ⓒ Min. 75 mm, 2-61/64 pouces (Utiliser le crochet positionné sur la partie inférieure du panneau de montage si la dimension est inférieure à 100 mm, 3-15/16 pouces, avec tuyauterie gauche, arrière gauche ou inférieure gauche et installation d'une pompe de vidange en option. Reportez-vous à la section 3.5. pour plus de détails.)
- Ⓓ Vis de fixation (4 × 25) Ⓜ
- Ⓔ Niveau
- Ⓛ Plaque d'installation ①

### 3.3. Lors de l'insertion des tuyaux dans le mur (Fig. 3-5)

- Les tuyaux sont sur la partie inférieure gauche.
- Lorsque le tuyau de refroidissement, les tuyaux d'écoulement, les lignes de connexion internes/externes, etc. doivent être insérés dans le mur à l'avance, les tuyaux de perçage, etc., doivent être coulés et leur longueur adaptée à l'appareil.
- Marquer la plaque d'installation pour référence lors de l'ajustement de la longueur du tuyau de refroidissement encastré.
- Pendant la construction, donner du jeu à la longueur des tuyaux de perçage.
  - Ⓐ Plaque d'installation ①
  - Ⓑ Marquage de référence des raccords évasés
  - Ⓒ Orifice passant
  - Ⓓ Tuyauterie sur site

### 3.4. Préparation de l'appareil intérieur

- \* Contrôle préalable requis car le travail préparatoire dépend du sens de sortie de la tuyauterie.
- \* Lors du cou dage de la tuyauterie, coudez graduellement tout en maintenant la sortie du tuyau à sa base. (Un cou dage trop brutal déformera la tuyauterie.)
- \* Découpez la sortie du tuyau en fonction du sens de sortie de la tuyauterie.

#### Extraction et traitement de la tuyauterie et du câblage (Fig. 3-6)

1. Branchement du câblage intérieur/extérieur → Voir page 9.
2. Envelopper la bande de feutre ③ autour des tuyaux de réfrigérant et du tuyau d'écoulement dans l'espace de tuyauterie de l'appareil intérieur.
  - Envelopper la bande de feutre ③ correctement à partir de la base de chaque tuyau de réfrigérant et du tuyau d'écoulement.
  - Faire chevaucher la bande de feutre ③ sur la moitié de la largeur de la bande.
  - Fixer l'extrémité de la bande avec du ruban adhésif.
3. S'assurer que le tuyau d'écoulement n'est pas levé ou en contact avec le boîtier de l'appareil intérieur. Ne pas tirer brutalement sur le tuyau d'écoulement pour ne pas le retirer.

#### Tuyauterie arrière, droite et inférieure (Fig. 3-7)

- 1) S'assurer que le tuyau d'écoulement n'est pas levé ou en contact avec le boîtier de l'appareil intérieur. Arranger le tuyau d'écoulement sous la tuyauterie et l'envelopper de bande de feutre ③.
- 2) Envelopper correctement la bande de feutre ③ en commençant par la base. (Faire chevaucher la bande de feutre sur la moitié de la largeur de la bande.)
  - Ⓐ Découper le tuyau droit.
  - Ⓑ Découper le tuyau inférieur.

### 3. Installation de l'appareil intérieur

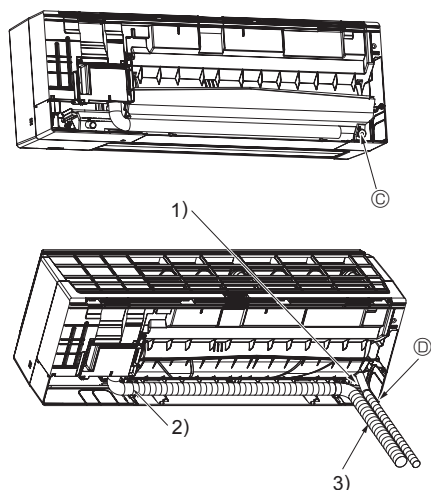


Fig. 3-8

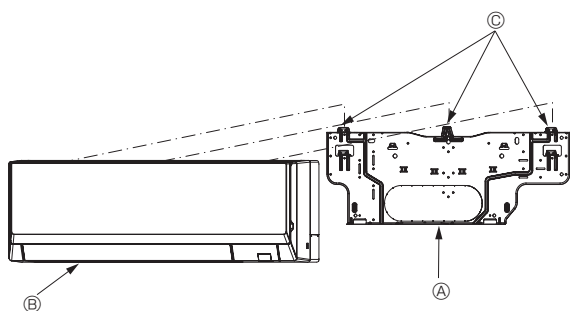


Fig. 3-9

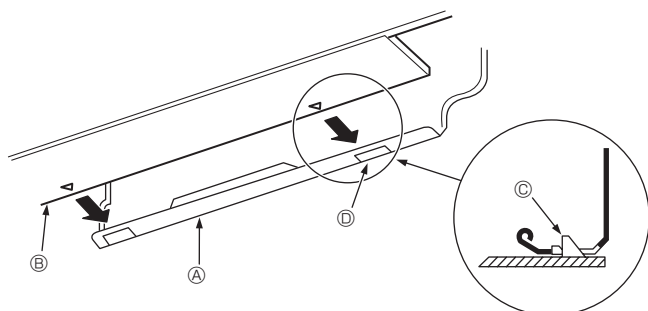


Fig. 3-10

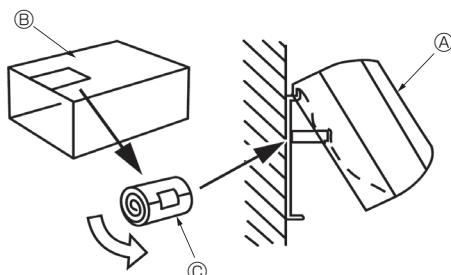


Fig. 3-11

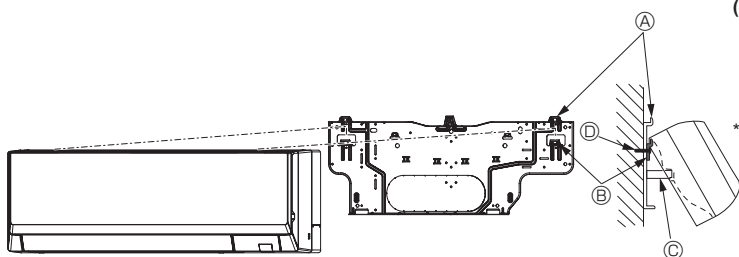


Fig. 3-12

#### Tuyauterie gauche et arrière gauche (Fig. 3-8)

- Remplacement du tuyau d'écoulement → Voir 5. Mise en place du tuyau d'écoulement

Veiller à mettre en place le tuyau d'écoulement et le capuchon de drainage de la tuyauterie gauche et arrière gauche. Un suintement peut apparaître si vous oubliez d'installer ou de remplacer ces pièces.

ⓐ Capuchon de drainage

- S'assurer que le tuyau d'écoulement n'est pas levé ou en contact avec le boîtier de l'appareil intérieur.
  - Envelopper correctement la bande de feutre ⓑ en commençant par la base. (Faire chevaucher la bande de feutre sur la moitié de la largeur de la bande.)
  - Fixer l'extrémité de la bande ⓑ avec du ruban adhésif.
- ⓐ Découper le tuyau gauche.

#### 3.5. Montage de l'appareil intérieur

- Fixer la planche d'installation ① au mur.
- Accrocher l'appareil intérieur sur le crochet situé dans la partie supérieure de la planche d'installation.

#### Tuyauterie arrière, droite et inférieure (Fig. 3-9)

- Lors de l'insertion du tuyau de réfrigérant et le tuyau d'écoulement dans l'orifice mural d'insertion (manchette de pénétration), accrocher la partie supérieure de l'appareil intérieur sur la planche d'installation ①.

- Déplacer l'appareil intérieur vers la gauche et la droite et vérifier que l'appareil est correctement accroché.

- Fixer en poussant la partie inférieure de l'appareil intérieur sur la planche d'installation ①. (Fig. 3-10)

\* Vérifier que les boutons en bas de l'appareil intérieur sont correctement maintenus sur la planche d'installation ①.

- Après l'installation, veiller à vérifier que l'appareil intérieur est monté à niveau.

Ⓐ Planche d'installation ①

Ⓑ Appareil intérieur

Ⓒ Crochet

Ⓓ Orifice carré

#### Tuyauterie gauche et arrière gauche (Fig. 3-11)

- Lors de l'insertion du tuyau de réfrigérant et le tuyau d'écoulement dans l'orifice mural d'insertion (manchette de pénétration), accrocher la partie supérieure de l'appareil intérieur sur la planche d'installation ①.

Découpez un morceau du carton d'expédition et enroulez-le pour former un cylindre, comme indiqué sur le schéma. Le fixer sur la surface arrière comme une entretoise et soulever l'appareil intérieur.

- Relier le tuyau de réfrigérant au tuyau de réfrigérant côté site.

- Fixer en poussant la partie inférieure de l'appareil intérieur sur la planche d'installation ①.

\* Vérifier que les boutons en bas de l'appareil intérieur sont correctement maintenus sur la planche d'installation ①.

- Après l'installation, veiller à vérifier que l'appareil intérieur est monté à niveau.

Ⓐ Appareil intérieur

Ⓑ Carton d'expédition

Ⓒ Entretoise (découpez un morceau du carton d'expédition)

#### Remarque :

- Si l'appareil intérieur ne peut être suspendu et soulevé à l'aide du crochet classique (la dimension de 2.1. ⓐ (espacement entre le plafond et l'appareil) est de 75 mm, 2-61/64 pouces ou moins), suspendez l'appareil sur le crochet inférieur du tuyau gauche. (Fig. 3-12)

- Le crochet inférieur est un crochet temporaire, utilisé uniquement pour l'installation. Une fois l'installation terminée, veillez à suspendre l'appareil intérieur sur le crochet classique.

L'appareil intérieur ne peut être utilisé lorsqu'il est suspendu au crochet inférieur.

#### (Fig. 3-12)

Ⓐ Crochet classique

Ⓑ Crochet inférieur du tuyau gauche

Ⓒ Entretoise

Ⓓ Vis de fixation ⓐ

\* Lors de l'utilisation du crochet inférieur, veillez à procéder à la fixation au niveau de la base du crochet inférieur à l'aide d'une vis de fixation ⓐ, faute de quoi l'appareil intérieur risque de tomber.

## 4. Installation de la tuyauterie du réfrigérant

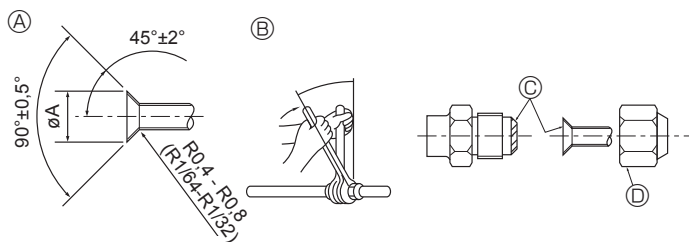


Fig. 4-1

(A) Dimension de l'évasement

Diam. ext. tuyau en cuivre (mm, pouce)	Dimensions évasement Dimensions $\phi A$ (mm, pouce)
$\phi 6,35$ , 1/4"	8,7 - 9,1, 11/32 - 23/64
$\phi 12,7$ , 1/2"	16,2 - 16,6, 41/64 - 21/32

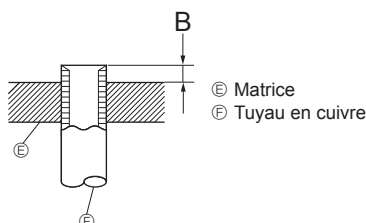


Fig. 4-2

Diam. ext. tuyau en cuivre (mm, pouce)	B (mm, pouce)
	Outil d'évasement pour le R32/R410A
$\phi 6,35$ , 1/4"	0 - 0,5, 0 - 1/64
$\phi 12,7$ , 1/2"	0 - 0,5, 0 - 1/64

### 4.1. Consignes

Pour les appareils utilisant le réfrigérant R32/R410A

- Utilisez de l'huile alkylbenzène (en petite quantité) comme huile frigorigène sur les parties évasées.
- Utiliser le cuivre phosphoreux C1220, pour des tuyaux sans soudure en cuivre et en alliage de cuivre, pour raccorder les tuyaux de réfrigérant. Utiliser les tuyaux de réfrigérant dont l'épaisseur est spécifiée dans le tableau ci-dessous. Vérifier que l'intérieur des tuyaux est propre et dépourvu de tout agent nocif tel que des composés sulfuriques, des oxydants, des débris ou des saletés.

#### ⚠ Avertissement :

Lors de l'installation, du déplacement ou de l'entretien du climatiseur, n'utilisez que le réfrigérant indiqué sur l'appareil extérieur pour remplir les tuyaux de réfrigérant. Ne pas le mélanger avec un autre réfrigérant et faire le vide d'air dans les tuyaux.

Si du réfrigérant est mélangé avec de l'air, cela peut provoquer des pointes de pression dans les tuyaux de réfrigérant et entraîner une explosion et d'autres risques.

L'utilisation d'un réfrigérant différent de celui spécifié pour le climatiseur peut entraîner des défaillances mécaniques, des dysfonctionnements du système ou une panne de l'appareil. Dans le pire des cas, cela peut entraîner un obstacle à la mise en sécurité du produit.

$\phi 6,35$ mm, 1/4 pouces épaisseur 0,8 mm, 1/32 pouces	$\phi 9,52$ mm, 3/8 pouces épaisseur 0,8 mm, 1/32 pouces
$\phi 12,7$ mm, 1/2 pouces épaisseur 0,8 mm, 1/32 pouces	$\phi 15,88$ mm, 5/8 pouces épaisseur 1,0 mm, 3/64 pouces

- Ne pas utiliser de tuyaux plus fins que ceux spécifiés ci-dessus.

### 4.2. Connexion des tuyaux (Fig. 4-1)

- En cas d'utilisation de tuyaux en cuivre disponibles sur le marché, envelopper les tuyaux de liquide et de gaz avec de la matière isolante vendue dans le commerce sur le marché (résistant à une chaleur de 100 °C, 212 °F ou supérieure et d'une épaisseur de 12 mm, 1/2 pouce ou plus).
- Les parties intérieures du tuyau d'écoulement doivent également être entourées de matière isolante en mousse de polyéthylène (avec une poids spécifique de 0,03 et de 9 mm, 23/64 pouces d'épaisseur ou plus).
- Appliquer un film mince d'huile réfrigérante sur la surface du tuyau et du support du joint avant de serrer l'écrou évasé.
- Utiliser deux clés pour serrer les connexions des tuyaux.
- Utiliser la matière isolante des tuyaux de réfrigérant fournie afin d'envelopper les connexions des appareils intérieurs. Effectuer l'isolation avec soin.
- Après le raccordement du tuyau de réfrigérant à l'appareil intérieur, vérifier toutes les connexions et s'assurer qu'il n'y a pas de fuite de gaz en envoyant de l'azote à l'état gazeux dans les tuyaux. (Vérifier qu'il n'y a pas de fuite de réfrigérant au niveau du tuyau de réfrigérant connecté à l'appareil intérieur.)
- Utilisez l'écrou évasé monté sur cet appareil intérieur.
- En cas de repose des tuyaux de réfrigérant après démontage, refaites la partie évasée du tuyau.

(B) Couple de serrage du raccord conique

Diam. ext. tuyau en cuivre (mm, pouce)	Diam. ext. raccord conique (mm, pouce)	Couple de serrage (N·m, ft·lbs)
$\phi 6,35$ , 1/4	17, 43/64	14 - 18, 10 - 13
$\phi 12,7$ , 1/2	28, 1-7/64	49 - 61, 35 - 44

- Appliquer de l'huile réfrigérante sur toute la surface évasée du fond. Ne pas appliquer de l'huile réfrigérante sur les vis. (Les écrous évasés risquent davantage de se desserrer.)

- Veiller à utiliser les écrous évasés joints à l'appareil principal. (L'utilisation des produits disponibles dans le commerce peut entraîner des craquements.)

#### ⚠ Avertissement :

Pendant l'installation de l'appareil, brancher correctement les tuyaux de réfrigérant avant de lancer le compresseur.

### 4.3. Mise en place des tuyaux de réfrigérant et d'écoulement (Fig. 4-3)

- (A) Conduit de gaz \* Indique la condition les accessoires montés.
- (B) Conduit de liquide
- (C) Tuyau d'écoulement (longueur utile : 500 mm, 19-11/16 pouces)
- (D) Orifice de la rondelle du tuyau gauche
- (E) Orifice de la rondelle du tuyau droit
- (F) Orifice de la rondelle du tuyau inférieur
- (G) Plaque d'installation (1)

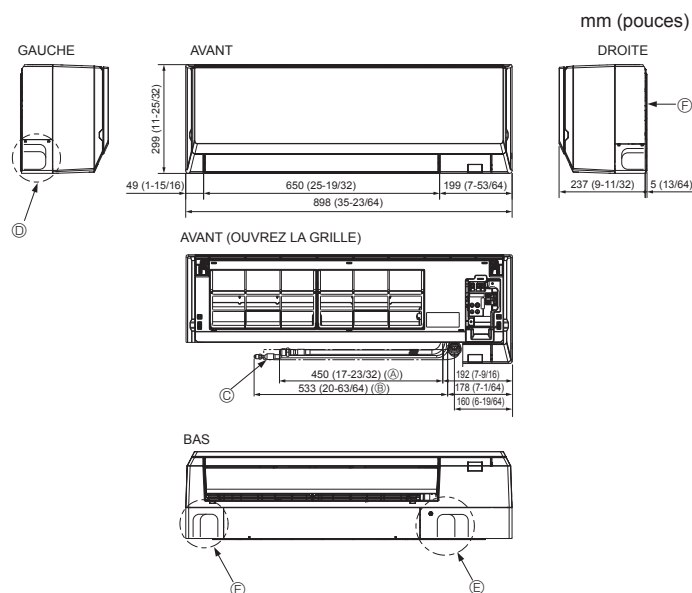


Fig. 4-3

## 4. Installation de la tuyauterie du réfrigérant

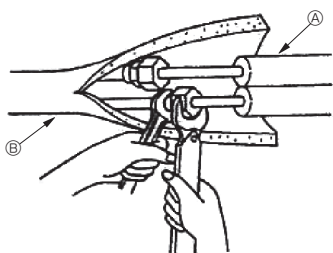


Fig. 4-4

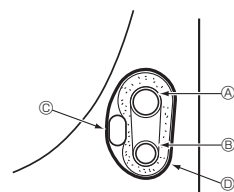


Fig. 4-5

### 4.4. Travaux pour l'installation des tuyaux de réfrigérant (Fig. 4-4)

#### Appareil intérieur

1. Retirer l'écrou évasé et le couvercle de l'appareil intérieur.
2. Créer un évasement pour le tuyau de liquide et pour le tuyau de gaz et appliquer de l'huile pour machine réfrigérante (disponible chez votre fournisseur local) sur la surface du siège évasé.
3. Raccorder rapidement les tuyaux de réfrigérant sur place à l'appareil.
4. Envelopper le couvercle du tuyau fixé au tuyau de gaz et vérifier si le joint du raccord n'est pas visible.
5. Envelopper le couvercle du tuyau de liquide de l'appareil et vérifier s'il recouvre bien la matière isolante du tuyau de liquide sur place.
6. Partie où le matériau d'isolation est maintenu par du ruban adhésif.

Ⓐ Tuyauterie du réfrigérant côté site

Ⓑ Tuyauterie du réfrigérant côté appareil

#### 4.4.1. Stockage dans l'espace de tuyauterie de l'appareil (Fig. 4-5)

1. Envelopper la bande de feutre fournie autour des tuyaux de réfrigérant dans l'espace de tuyauterie de l'appareil intérieur pour éviter les suintements.
2. Faire chevaucher la bande de feutre sur la moitié de la largeur de la bande.
3. Fixer l'extrémité de la bande avec du ruban adhésif, etc.

Ⓐ Conduit de gaz

Ⓑ Conduit de liquide

Ⓒ Câble de connexion intérieur/extérieur

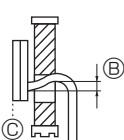
Ⓓ Bande de feutre ③

## 5. Mise en place du tuyau d'écoulement

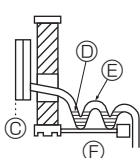
Correct



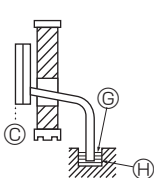
Incorrect



Incorrect



Incorrect



Incorrect

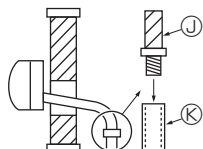
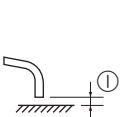


Fig. 5-1

### 5.1. Mise en place du tuyau d'écoulement (Fig. 5-1)

- Les tuyaux d'écoulement doivent avoir une inclinaison de 1/100 ou supérieure.
- Pour rallonger le tuyau d'évacuation, utilisez un tuyau flexible (diamètre intérieur de 15 mm, 19/32 pouce), disponible dans les commerces, ou un tuyau de chlorure de vinyle dur (VP-16/Tube en PVC, O.D. ø22 mm, 55/64 pouce). Assurez-vous qu'il n'y a aucune fuite d'eau en provenance des joints.
- Ne pas diriger les tuyaux d'écoulement directement vers un fossé d'écoulement dans lequel des gaz sulfuriques pourraient être acheminés.
- Lorsque la mise en place des tuyaux est terminée, vérifier que l'eau ressorte bien par l'extrémité du tuyau d'écoulement.

#### ⚠ Précaution :

Les tuyaux d'écoulement doivent être installés conformément aux instructions du présent manuel d'installation pour assurer un écoulement correct. L'isolation thermique des tuyaux d'écoulement est nécessaire pour éviter la condensation. Si les tuyaux d'écoulement ne sont pas correctement installés et isolés, des gouttes de condensation risquent de se former au plafond, sur le sol ou à tout autre endroit.

Ⓐ Inclinaison vers le bas

Ⓑ Doit être plus bas que le point de sortie

Ⓒ Fuite d'eau

Ⓓ Écoulement piégé

Ⓔ Air

Ⓕ Ondulé

Ⓖ Extrémité du tuyau d'écoulement sous l'eau.

Ⓗ Rigole d'écoulement

Ⓘ 5 cm, 1-31/32 pouce maximum entre l'extrémité du tuyau d'écoulement et le sol.

Ⓣ Tuyau d'écoulement

Ⓚ Tuyau en PVC mou (diamètre intérieur de 15 mm, 19/32 pouce)

ou

en PVC dur (VP-16)

\* Livré avec ruban adhésif PVC

#### Préparation du tuyautage gauche et arrière gauche (Fig. 5-2)

- ① Retirer le capuchon d'écoulement.
- Pour retirer le capuchon d'écoulement, saisir la partie qui ressort à l'extrémité du tuyau et tirer.
  - Ⓐ Capuchon d'écoulement
- ② Retirer le tuyau d'écoulement
- Retirer le tuyau d'écoulement en tenant la base du tuyau ③ (indiquée par la flèche) et en tirant vers soi ④.
- ③ Insérer le capuchon d'écoulement.
- Insérer un tournevis, etc. dans l'orifice à l'extrémité du tuyau et pousser sur la base du capuchon d'écoulement.
- ④ Insérer le tuyau d'écoulement.
- Pousser le tuyau d'écoulement jusqu'à ce qu'il se trouve à la base de la sortie du raccord de la boîte d'écoulement.
- Vérifier que le crochet du tuyau d'écoulement est fixé correctement au sommet de la sortie du raccord dépassant de la boîte d'écoulement.
  - Ⓑ Crochets

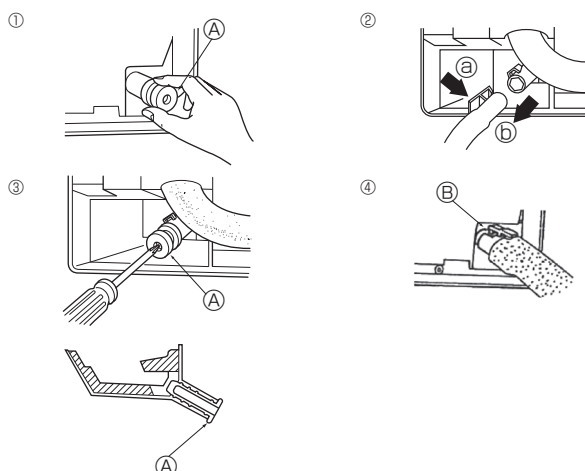


Fig. 5-2



## 5. Mise en place du tuyau d'écoulement

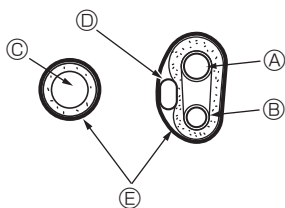


Fig. 5-3

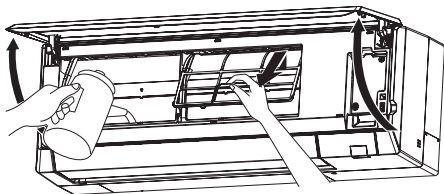


Fig. 5-4

### ◆ Stockage dans l'espace de tuyauterie de l'appareil intérieur (Fig. 5-3)

- \* Lorsque le tuyau d'écoulement est acheminé vers l'intérieur, l'envelopper avec un isolant disponible dans le commerce.
- \* Rassembler le tuyau d'écoulement et les tuyaux de réfrigérant et les envelopper avec la bande de feutre fournie ③.
- \* Faire chevaucher la bande de feutre ③ sur la moitié de la largeur de la bande.
- \* Fixer l'extrémité de la bande avec du ruban adhésif, etc.

- Ⓐ Conduit de gaz
- Ⓑ Conduit de liquide
- Ⓒ Tuyau d'écoulement
- Ⓓ Câblage de connexion intérieur/extérieur
- Ⓔ Bande de feutre ③

### ◆ Vérifier l'écoulement (Fig. 5-4)

1. Ouvrir la grille avant et retirer le filtre.
2. Face aux ailettes de l'échangeur thermique, remplir rapidement d'eau.
3. Après contrôle du drainage, fixer le filtre et fermer la grille.

## 6. Installations électriques

### 6.1. Câblage électrique

[Fig. 6-1]

Raccord possible sans retrait du panneau avant.

- Ouvrez la grille avant, retirez les vis (2) et retirez le capot du boîtier électrique.
  - Les travaux électriques peuvent être effectués plus efficacement lorsque le panneau est retiré. Lors de la fixation du panneau, vérifiez que les crochets (S) sont bien fixés en trois emplacements du côté de la sortie d'air.
- Raccordez bien chaque fil au bornier.
  - Concernant la maintenance, prévoyez des câbles plus longs.
  - Faites preuve de précaution lors de l'utilisation de fils multibrins, car des brins qui dépassent peuvent entraîner des courts-circuits dans le câblage.
- Installer les pièces retirées précédemment.
- En cas de passage par le côté droit de l'appareil intérieur, découper la partie amovible du cache d'angle (E).

- (A) Grille avant
- (B) Vis de fixation
- (C) Cache du boîtier électrique
- (D) Vis de fixation
- (E) Cache
- (F) Plaque pour gaine électrique
- (G) Cache de gaine électrique
- (H) Vis de fixation
- (I) Vis de fixation
- (J) Câble de la télécommande
- (K) Câble de raccordement intérieur-extérieur
- (L) Fil de terre
- (M) Contre-écrou
- (N) Joint de gaine électrique
- (O) Gaine électrique
- (P) Portion de raccordement du fil de terre
- (Q) Bornier de la télécommande MA : (1, 2) n'ont pas de polarité.
- (R) Bornier pour raccordement des appareils intérieurs/extérieurs : S1, S2 et S3 ont une polarité
- (S) Crochet

#### ⚠ Précaution :

Le câble de la télécommande doit être maintenu à une certaine distance (5 cm, 1-31/32 pouce ou plus) du câble d'alimentation afin d'éviter les interférences dues au bruit électrique généré par le câble d'alimentation.

#### Passage à travers le côté droit

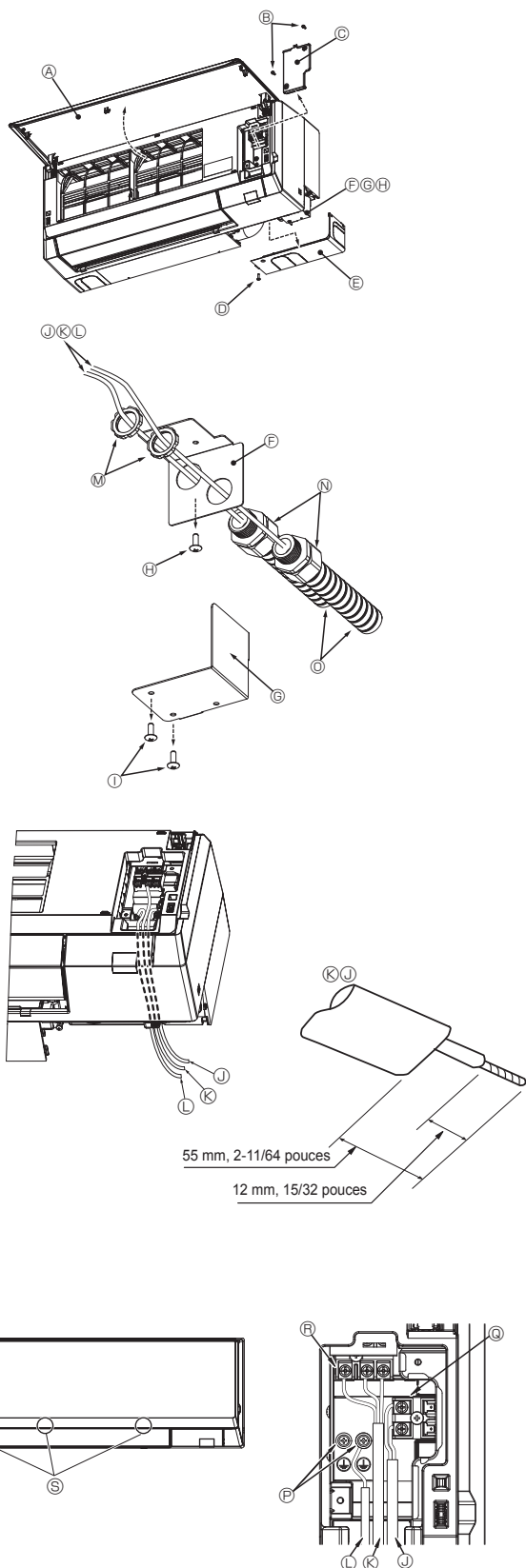
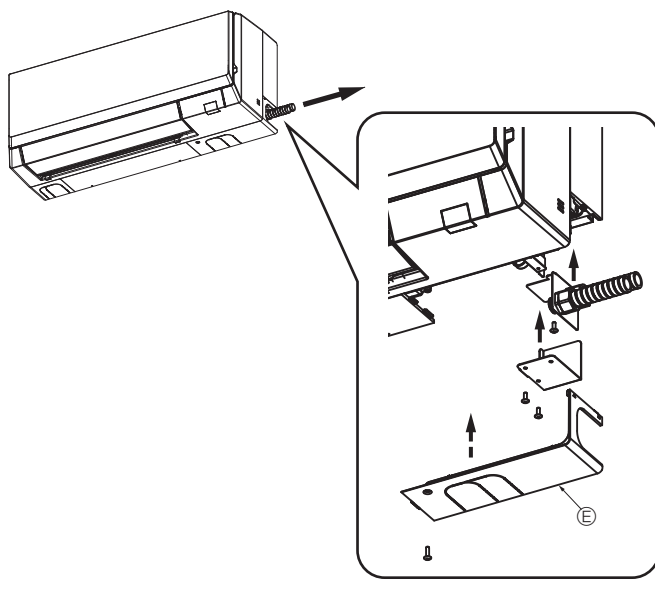


Fig. 6-1

<Lors du branchement de deux câbles de raccordement intérieur-extérieur>

- Si les câbles sont de même diamètre, insérez-les dans les découpes situées des deux côtés.
- Si les câbles sont de diamètre différent, insérez-les d'un seul côté dans des espaces séparés en plaçant un câble au-dessus de l'autre.

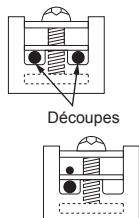


Fig. 6-2

AVERTISSEMENT

- Il est interdit de raccorder deux câbles d'un même côté.
- Il est interdit de raccorder trois câbles ou plus à la même borne.

- Il est interdit de raccorder des câbles de diamètres différents.

Lorsqu'un seul câble est utilisé, l'utilisation d'une borne sortie à embout circulaire ou toute intervention sur les bornes sont interdites.

Fig. 6-3

9

fr

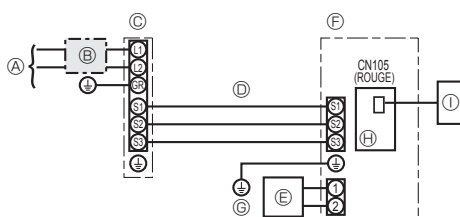
## 6. Installations électriques

### 6.1.1. Alimentation de l'appareil intérieur provenant de l'appareil extérieur

Les schémas de connexion suivants sont disponibles.

Les schémas d'alimentation de l'appareil extérieur varient selon les modèles.

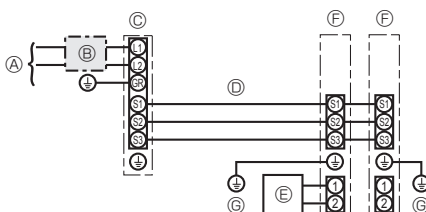
#### Systeme 1:1



- Ⓐ Source d'alimentation de l'appareil extérieur
  - Ⓑ Coupe-circuit ou interrupteur d'isolement
  - Ⓒ Appareil extérieur
  - Ⓓ Cordons de raccordement de l'appareil intérieur/extérieur
  - Ⓔ Télécommande à fil
  - Ⓕ Appareil intérieur
  - Ⓖ Mise à la terre de l'appareil intérieur
  - Ⓗ Panneau du contrôleur intérieur
  - Ⓜ Interface radiofréquence pour thermostat radiofréquence
- Uniquement pour système 1:1

\* Apposer une étiquette A fournie avec les manuels près de chaque schéma de câblage des appareils intérieur et extérieur.

#### Systeme double simultané



- **Uniquement pour la télécommande à fil.**
- Ⓐ Source d'alimentation de l'appareil extérieur
  - Ⓑ Coupe-circuit ou interrupteur d'isolement
  - Ⓒ Appareil extérieur
  - Ⓓ Cordons de raccordement de l'appareil intérieur/extérieur
  - Ⓔ Télécommande à fil
  - Ⓕ Appareil intérieur
  - Ⓖ Mise à la terre de l'appareil intérieur

\* Apposer une étiquette A fournie avec les manuels près de chaque schéma de câblage des appareils intérieur et extérieur.

Modèle de l'appareil intérieur		Série PKA-A-LA	
Courant admissible minimum du circuit		1 A	
Valeur nominale maximum du dispositif de protection contre les surintensités		15 A	
Câblage No du câble x taille en	Appareil intérieur-appareil extérieur *1	3 x AWG14 (Polar)	
	Mise à la terre de l'appareil intérieur	1 x Min. AWG14	
Tension du circuit	Télécommande à fil-Appareil intérieur *2	2 x Min. AWG22 (non polarisé, non blindé)	
	Appareil intérieur-appareil extérieur S1-S2 *3	208/230 V CA	
	Appareil intérieur-appareil extérieur S2-S3 *3 *4	24 V CC / 28 V CC	
	Télécommande à fil-Appareil intérieur *3	12 V CC	

\*1. <Application de l'appareil extérieur 12-36>

45 m max., 148 pieds

En cas d'utilisation de AWG13 (2,5 mm<sup>2</sup>), 50 m max., 165 pieds

En cas d'utilisation de AWG13 (2,5 mm<sup>2</sup>) et S3 séparée, 80 m max., 263 pieds

\*2. 500 m max., 1640 pieds

(Lorsque 2 télécommandes sont utilisées, la longueur maximale de câblage pour les câbles de télécommande est de 200 m, 656 pieds.)

\*3. Les chiffres ne s'appliquent PAS toujours à la mise à la terre.

La borne S3 présente une différence de 24 V CC / 28 V CC par rapport à la borne S2. Cependant, entre S3 et S1, ces bornes ne sont pas isolées électriquement par le transformateur ou un autre dispositif.

\*4. Dépend de l'appareil extérieur.

**Remarques :** 1. La taille des fils doit être conforme aux réglementations nationales et locales pertinentes.

2. Le poids des câbles de connexion entre l'appareil intérieur et l'appareil extérieur doit être égal ou supérieur au poids de câbles flexibles à gaine polychloroprène (conception 60245 IEC 57).

3. Utiliser des fils d'alimentation en cuivre.

4. Utiliser des fils d'une intensité nominale de 300V ou plus pour les câbles d'alimentation et les câbles de raccordement de l'appareil intérieur/l'appareil extérieur.

5. Installer un câble de terre plus long que les autres câbles.

6. Les câbles de connexion des appareils intérieur et extérieur sont polarisés. Respectez les numéros de borne (S1, S2, S3) pour procéder à un raccordement correct.

## 6. Installations électriques

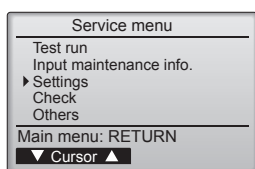


Fig. 6-4

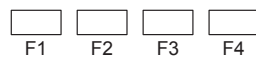
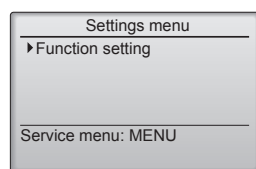


Fig. 6-5

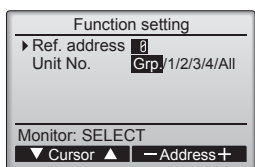


Fig. 6-6

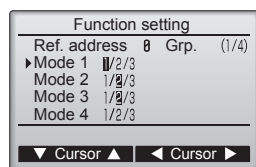


Fig. 6-7

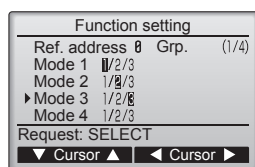


Fig. 6-8

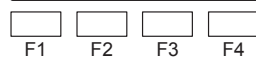
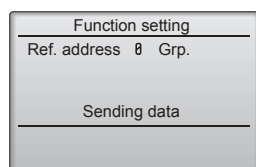


Fig. 6-9

### 6.2. Réglage des fonctions

#### 6.2.1. À l'aide de la télécommande filaire

- ① (Fig. 6-4)
  - Sélectionnez "Service" dans le menu général puis appuyez sur la touche [SELECT/HOLD].
  - Sélectionnez "Settings" (Réglages) dans le menu SAV, puis appuyez sur la touche [SELECT/HOLD].
- ② (Fig. 6-5)
  - Sélectionnez "Function settings" (Réglage des fonctions) à l'aide de la touche [SELECT/HOLD].
- ③ (Fig. 6-6)
  - Réglez les adresses de réfrigérant des unités intérieures et le nombre d'unités à l'aide des boutons [F1] à [F4], puis appuyez sur le bouton [SELECT/HOLD] pour valider le réglage actuel.

#### <Contrôle du No. Unité intérieure>

Une pression sur le bouton [SELECT/HOLD] démarre le ventilateur de l'unité intérieure. Si l'unité est commune, ou lorsque toutes les unités tournent, les ventilateurs de toutes les unités intérieures correspondant à l'adresse de réfrigérant démarrent.

- ④ (Fig. 6-7)
  - Une fois la collecte de données terminée depuis les unités intérieures, les réglages actuels apparaissent en surbrillance. Les éléments qui ne sont pas en surbrillance indiquent qu'aucune fonction n'est réglée. L'aspect de l'écran varie en fonction du réglage "N° unité".
- ⑤ (Fig. 6-8)
  - Utilisez le bouton [F1] ou [F2] pour déplacer le curseur pour sélectionner la valeur du mode, puis modifiez-le à l'aide du bouton [F3] ou [F4].
- ⑥ (Fig. 6-9)
  - Une fois les réglages terminés, appuyez sur le bouton [SELECT/HOLD] pour transmettre les données de réglage du contrôleur à distance aux unités intérieures.
  - Une fois la transmission terminée, l'écran Réglage des fonctions réapparaît.

#### Tableau des fonctions

Sélectionnez l'appareil numéro "Grp."

Mode	Paramètre	No. de Mode	No. de réglage	Réglage initial	Réglage
Restauration automatique après une coupure de courant	Non disponible	01	1		
	Disponible *1		2	○ *2	
Détection de la température intérieure	Moyenne de fonctionnement de l'appareil intérieur	02	1	○	
	Réglée par la télécommande de l'appareil intérieur		2		
	Détecteur interne de la télécommande		3		
Connectivité LOSSNAY	Non supportée	03	1	○	
	Supportée (l'appareil intérieur n'est pas équipé d'une prise d'air extérieure)		2		
	Supportée (l'appareil intérieur est équipé d'une prise d'air extérieure)		3		
Tension d'alimentation	230 V	04	1	○	
	208 V		2		

Sélectionner les appareils numéro 1 à 4 ou "All"

Mode	Paramètre	No. de Mode	No. de réglage	Réglage initial	Réglage
Signe du filtre	100 heures	07	1	○	
	2500 heures		2		
	Pas d'indicateur de signe du filtre		3		
Vitesse du ventilateur	Silencieux	08	1		
	Standard		2		
	Haut plafond		3	○	
Vitesse du ventilateur lorsque le thermostat de chauffage est coupé (OFF)	Réglage de la vitesse du ventilateur	27	1	○	
	Arrêt		2		
	Très basse		3		

\*1 Une fois l'alimentation rétablie, le climatiseur redémarre après 3 minutes.

\*2 La configuration initiale de la restauration automatique en cas de coupure d'électricité dépend du branchement de l'appareil extérieur.

## 7. Marche d'essai

### 7.1. Avant la marche d'essai

- ▶ Lorsque l'installation, le tuyautage et le câblage des appareils intérieur et extérieur sont terminés, vérifier l'absence de fuites de réfrigérant, la fixation des câbles d'alimentation et de commande, l'absence d'erreur de polarité et contrôler qu'aucune phase de l'alimentation n'est déconnectée.
- ▶ Utiliser un mégohm-mètre de 500V pour s'assurer que la résistance entre les bornes d'alimentation électrique et la terre soit au moins de 1,0 MΩ.

- ▶ Ne pas effectuer ce test sur les bornes des câbles de contrôle (circuit à basse tension).

#### ⚠ Avertissement :

**Ne pas utiliser le climatiseur si la résistance de l'isolation est inférieure à 1,0 MΩ.**

### 7.2. Marche d'essai

#### 7.2.1. Utilisation de la télécommande filaire

- Lisez attentivement le manuel d'utilisation avant le test fonctions. (En particulier les rubriques relatives à la sécurité)

##### Étape 1 Mettez sous tension.

- Télécommande: le système se met en mode de démarrage et le témoin d'alimentation de la télécommande (vert) et le message "Please Wait" (Veuillez patienter) clignotent. Tant que la lampe et le message clignotent, la télécommande ne peut pas être utilisée. Attendez que le message "Please Wait" (Veuillez patienter) ne soit plus affiché avant d'utiliser la télécommande. Après la mise sous tension, le message "Please Wait" (Veuillez patienter) s'affiche pendant environ 3 minutes.
- Panneau du contrôleur extérieur: LED 1 est allumé, LED 2 est allumé (si l'adresse est 0) ou éteint (si l'adresse n'est pas 0), et LED 3 clignote.
- Panneau du contrôleur extérieur: LED 1 (vert) et LED 2 (rouge) sont allumés. (Une fois le démarrage du système terminé, LED 2 s'éteint.) Si le panneau du contrôleur extérieur dispose d'un affichage numérique, [-] et [-] s'affichent alternativement, à intervalle d'une seconde. Si le système ne fonctionne pas correctement après exécution des procédures de l'étape 2 et suivantes, les causes suivantes doivent être recherchées et corrigées le cas échéant. (Les symptômes ci-dessous se produisent en mode de test fonctions. "Startup" (Démarrage) dans le tableau se réfère à l'affichage LED mentionné plus haut.)

Symptômes en mode de test fonctions		Cause
Affichage de la télécommande	Affichage LED PANNEAU EXTERIEUR < > indique affichage numérique.	
La télécommande affiche "Please Wait" (Veuillez patienter) et est inutilisable.	Après affichage de "startup" (démarrage), seul le témoin vert s'allume. <00>	• Après mise sous tension, "Please Wait" (Veuillez patienter) est affiché pendant 3 minutes pendant le démarrage du système. (Normal)
Après mise sous tension, "Please Wait" (Veuillez patienter) est affiché pendant 3 minutes puis un code d'erreur s'affiche.	Après affichage de "startup" (démarrage), les témoins vert (une fois) et rouge (une fois) clignotent en alternance. <F1>	• Mauvaise connexion du bloc de sorties extérieur (L1, L2, GR et S1, S2, S3.)
	Après affichage de "startup" (démarrage), les témoins vert (une fois) et rouge (deux fois) clignotent en alternance. <F3, F5, F9>	• Le connecteur du dispositif de protection de l'appareil extérieur est ouvert.
Rien ne s'affiche même lorsque la télécommande est activée. (Le témoin de fonctionnement ne s'allume pas.)	Après affichage de "startup" (démarrage), les témoins vert (deux fois) et rouge (une fois) clignotent en alternance. <EA, Eb>	• Câblage Incorrect entre l'appareil intérieur et l'appareil extérieur (mauvaise polarité pour S1, S2, S3.)
	Après affichage de "startup" (démarrage), seul le témoin vert s'allume. <00>	• Court-circuit du fil de transmission de la télécommande.
L'affichage apparaît mais s'efface rapidement même lorsque la télécommande est utilisée.	Après affichage de "startup" (démarrage), les témoins vert (deux fois) et rouge (une fois) clignotent en alternance. <EA, Eb>	• Il n'y a pas d'appareil extérieur dont l'adresse est 0. (L'adresse est autre que 0.)
	Après affichage de "startup" (démarrage), seul le témoin vert s'allume. <00>	• Circuit du fil de transmission de la télécommande ouvert.
	Après affichage de "startup" (démarrage), seul le témoin vert s'allume. <00>	• Après utilisation de la fonction d'annulation, toute utilisation est impossible pendant environ 30 secondes. (Normal)

##### Étape 2 Placez la télécommande sur "Test run" (Test fonctions).

- ① Dans le Menu SAV, sélectionnez "Test run" (Test fonctions) puis appuyez sur la touche [SELECT/HOLD]. (Fig. 7-1)
- ② Dans le Menu test de fonctionnement, sélectionnez "Test run" (Test fonctions) puis appuyez sur la touche [SELECT/HOLD]. (Fig. 7-2)
- ③ Le test fonctions démarre et l'écran Test fonctions s'affiche.

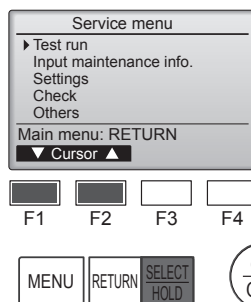


Fig. 7-1

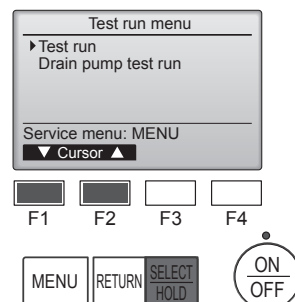


Fig. 7-2

##### Étape 3 Effectuez le test fonctions et vérifiez la température du courant d'air et le volet automatique.

- ① Appuyez sur la touche [F1] pour changer de mode de fonctionnement. (Fig. 7-3)  
Mode de refroidissement: vérifiez si la soufflerie souffle de l'air froid.  
Mode de chauffage: vérifiez si la soufflerie souffle de l'air chaud.
- ② Appuyez sur la touche [SELECT/HOLD] pour afficher l'écran de fonctionnement du volet puis appuyez sur les touches [F1] et [F2] pour contrôler le volet automatique. (Fig. 7-4)  
Appuyez sur la touche [RETURN] pour revenir à l'écran Test fonctions.

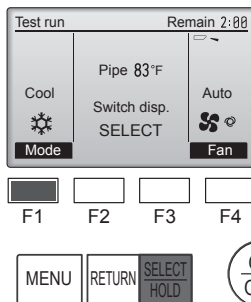


Fig. 7-3

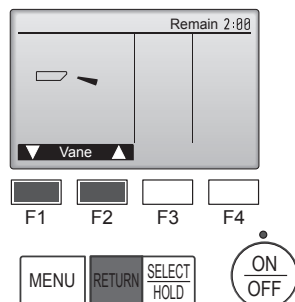


Fig. 7-4

## 7. Marche d'essai

### Étape 4 Vérifiez le fonctionnement du ventilateur de l'appareil extérieur.

La vitesse du ventilateur de l'appareil extérieur est commandée de manière à contrôler les performances de l'appareil. En fonction de la température de l'air ambiant, le ventilateur tournera à faible vitesse et continuera à tourner à cette vitesse à moins que les performances ne soient insuffisantes. Par conséquent, le vent extérieur peut provoquer l'arrêt du ventilateur, ou sa rotation en sens inverse, mais ceci ne constitue pas un problème.

### Étape 5 Arrêtez le test fonctions.

① Appuyez sur la touche [ON/OFF] pour arrêter le test fonctions. (Le Menu test de fonctionnement s'affiche.)  
Remarque : si une erreur s'affiche sur la télécommande, voir le tableau ci-dessous.

LCD	Description du dysfonctionnement	LCD	Description du dysfonctionnement	LCD	Description du dysfonctionnement
P1	Erreur du capteur d'admission	P9	Erreur du capteur sur tuyaux (tuyau à paroi double)	E0 – E5	Erreur de communication entre la télécommande et l'appareil intérieur
P2	Erreur du capteur sur tuyaux (tuyau de liquide)	PA	Erreur de fuite (système de réfrigérant)		
P4	Connecteur de l'interrupteur à flotteur d'écoulement déconnecté (CN4F)	Pb	Erreur du moteur de l'appareil intérieur		
P5	Sécurité d'écoulement et de trop-plein activée	PL	Circuit de réfrigérant anormal	E6 – EF	Erreur de communication entre l'appareil intérieur et l'appareil extérieur
P6	Protection contre le gel/la surchauffe activée	FB	Erreur du panneau du contrôleur intérieur		
P8	Erreur de température des tuyaux	U*, F* (* représente un caractère alphanumérique sauf FB.)	Dysfonctionnement de l'appareil extérieur. Référez-vous au diagramme de câblage de l'appareil extérieur.		

Voir le tableau ci-dessous pour les détails de l'affichage LED (LED 1, 2 et 3) du panneau du contrôleur intérieur.

LED 1 (alimentation du micro-ordinateur)	Indique si l'alimentation est fournie au contrôleur. Ce témoin doit toujours être allumé.
LED 2 (alimentation de la télécommande)	Indique si l'alimentation est fournie à la télécommande filaire. Ce témoin s'allume uniquement pour l'appareil intérieur raccordé à l'appareil extérieur dont l'adresse est 0.
LED 3 (communication entre les appareils intérieur et extérieur)	Indique si les appareils intérieur et extérieur communiquent. Ce témoin doit toujours clignoter.

### 7.2.2. À l'aide de la télécommande sans fil

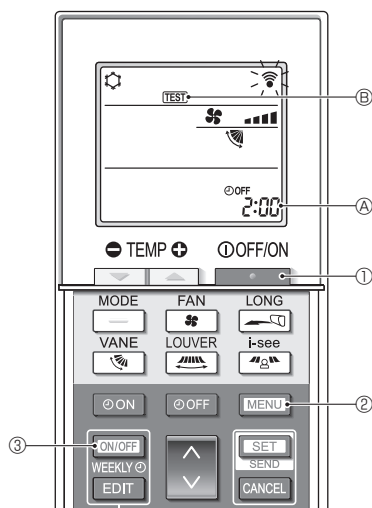


Fig. 7-5

#### ■ Essai de fonctionnement (Fig. 7-5)

- Appuyez sur le bouton **ON/OFF** ① pour arrêter le climatiseur.
  - Si la minuterie hebdomadaire est activée (**WEEKLY** est affiché), appuyez sur le bouton **ON/OFF WEEKLY** ③ pour la désactiver (**WEEKLY** disparaît).
- Appuyez sur le bouton **MENU** ② pendant 5 secondes.
  - CHECK** s'allume et l'appareil entre en mode service.
- Appuyez sur le bouton **MENU** ②.
  - TEST** ⑥ s'allume et l'appareil entre en mode essai de fonctionnement.
- Appuyez sur les boutons suivants pour démarrer l'essai de fonctionnement.
  - : Basculez du mode refroidissement au mode chauffage et démarrez l'essai de fonctionnement.
  - FAN** : Changez la vitesse du ventilateur et démarrez l'essai de fonctionnement.
  - WIND** : Changez la direction du flux d'air et démarrez l'essai de fonctionnement.
  - BLIND** : Activez le mouvement des louveres et démarrez l'essai de fonctionnement.
  - SET** : Démarrez l'essai de fonctionnement.
- Arrêtez l'essai de fonctionnement.
  - Appuyez sur le bouton **ON/OFF** ① pour arrêter l'essai de fonctionnement.
  - Après 2 heures, le signal d'arrêt est transmis.

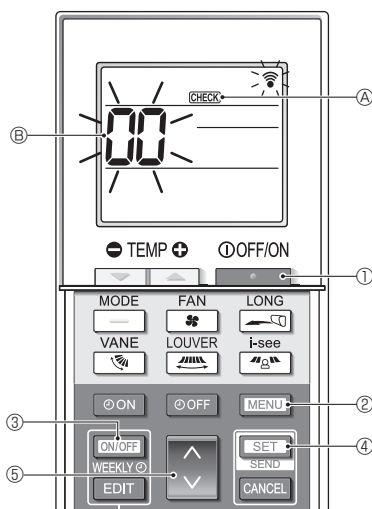


Fig. 7-6

#### ■ Auto-vérification (Fig. 7-6)

- Appuyez sur le bouton **ON/OFF** ① pour arrêter le climatiseur.
  - Si la minuterie hebdomadaire est activée (**WEEKLY** est affiché), appuyez sur le bouton **ON/OFF WEEKLY** ③ pour la désactiver (**WEEKLY** disparaît).
- Appuyez sur le bouton **MENU** ② pendant 5 secondes.
  - CHECK** ④ s'allume et l'appareil entre en mode auto-vérification.
- Appuyez sur le bouton **—** ⑤ pour sélectionner l'adresse de réfrigérant (adresse M-NET) ⑥ de l'appareil intérieur pour lequel vous voulez effectuer l'auto-vérification.
- Appuyez sur le bouton **SET** ④.
  - Si une erreur est détectée, le code de vérification est indiqué par le nombre de bips émis par l'appareil intérieur et le nombre de clignotements du **TÉMOIN DE FONCTIONNEMENT**.
- Appuyez sur le bouton **ON/OFF** ①.
  - CHECK** ④ et l'adresse de réfrigérant (adresse M-NET) ⑥ s'éteignent et l'auto-vérification est terminée.

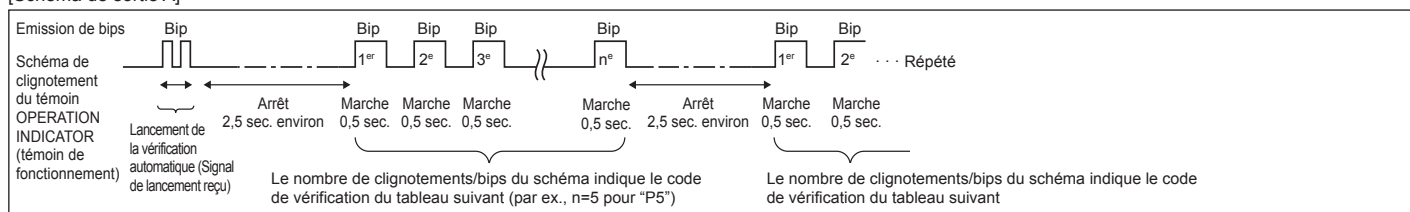
## 7. Marche d'essai

### 7.3. Auto-vérification

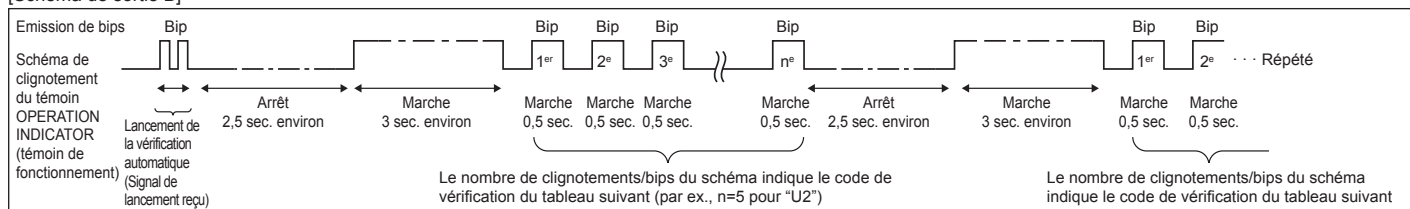
■ Pour en savoir plus, consultez le manuel d'installation fourni avec chaque télécommande.

• Consultez les tableaux suivants pour obtenir de plus amples informations sur les codes de vérification. (Télécommande sans fil)

[Schéma de sortie A]



[Schéma de sortie B]



[Schéma de sortie A] Erreurs détectées par l'appareil intérieur

Télécommande sans fil	Télécommande filaire	Symptôme	Remarque
Emission de bips/clignotements du témoin OPERATION INDICATOR (Nombre de fois)	Code de vérification		
1	P1	Erreur du capteur d'admission	
2	P2	Erreur du capteur sur tuyaux (TH2)	
	P9	Erreur du capteur sur tuyaux (TH5)	
3	E6, E7	Erreur de communication de l'appareil intérieur/extérieur	
4	P4	Erreur du capteur d'écoulement / Connecteur de l'interrupteur à flotteur ouvert	
5	P5	Erreur de la pompe d'écoulement	
	PA	Erreur du compresseur à circulation forcée	
6	P6	Fonctionnement du dispositif de protection en cas de gel/surchauffe	
7	EE	Erreur de communication entre les appareils intérieur et extérieur	
8	P8	Erreur de température des tuyaux	
9	E4	Erreur de réception du signal de la télécommande	
10	—	—	
11	Pb	Erreur du moteur de l'appareil intérieur	
12	Fb	Erreur du système de contrôle de l'appareil intérieur (erreur de mémoire, etc.)	
14	PL	Circuit de réfrigérant anormal	
Aucun son	E0, E3	Erreur de transmission de la télécommande	
Aucun son	E1, E2	Erreur du panneau du contrôleur de la télécommande	
Aucun son	— — — —	Aucun	

\*1 Si l'émetteur de bips ne sonne plus suite aux 2 bips initiaux pour confirmer que le signal de lancement de la vérification automatique a été reçu et si le témoin OPERATION INDICATOR (témoin de fonctionnement) ne s'allume pas, ceci signifie qu'aucune erreur n'a été enregistrée.

\*2 Si l'émetteur de bips sonne 3 fois de suite "bip, bip, bip (0,4 + 0,4 + 0,4 sec.)", après les 2 bips initiaux pour confirmer que le signal de lancement de la vérification automatique a été reçu, ceci signifie que l'adresse du réfrigérant spécifié est incorrecte.

- Sur la télécommande sans fil  
La sonnerie continue est déclenchée dans la section de réception de l'appareil intérieur.  
Clignotement du témoin de fonctionnement
- Sur la télécommande filaire  
Code de vérification affiché à l'écran LCD.

## 7. Marche d'essai

[Schéma de sortie B] Erreurs détectées par un appareil autre que l'appareil intérieur (appareil extérieur, etc.)

Télécommande sans fil	Télécommande filaire	Symptôme	Remarque
Emission de bips/clignotements du témoin OPERATION INDICATOR (Nombre de fois)	Code de vérification		
1	E9	Erreur de communication de l'appareil intérieur/extérieur (Erreur de transmission) (Appareil extérieur)	Pour de plus amples informations, contrôlez l'écran LED du panneau du contrôleur extérieur.
2	UP	Interruption due à la surintensité du compresseur	
3	U3, U4	Circuit ouvert/court-circuit des thermistances de l'appareil extérieur	
4	UF	Interruption due à la surintensité du compresseur (Quand compresseur verrouillé)	
5	U2	Température de décharge anormalement élevée/fonctionnement de 49C/réfrigérant insuffisant	
6	U1, Ud	Pression anormalement élevée (Fonctionnement de 63H)/Fonctionnement du dispositif de protection en cas de surchauffe	
7	U5	Température anormale de la source de froid	
8	U8	Arrêt du dispositif de protection du ventilateur de l'appareil extérieur	
9	U6	Interruption due à la surintensité du compresseur/Module d'alimentation anormal	
10	U7	Surchauffe anormale due à une température de décharge basse	
11	U9, UH	Anomalies telles que surtension ou sous-tension et signal synchronisé anormal vers le circuit principal/Erreur du capteur d'intensité	
12	—	—	
13	—	—	
14	Autres	Autres erreurs (Consultez le manuel technique de l'appareil extérieur.)	

\*1 Si l'émetteur de bips ne sonne plus suite aux 2 bips initiaux pour confirmer que le signal de lancement de la vérification automatique a été reçu et si le témoin OPERATION INDICATOR (témoin de fonctionnement) ne s'allume pas, ceci signifie qu'aucune erreur n'a été enregistrée.

\*2 Si l'émetteur de bips sonne 3 fois de suite "bip, bip, bip (0,4 + 0,4 + 0,4 sec.)", après les 2 bips initiaux pour confirmer que le signal de lancement de la vérification automatique a été reçu, ceci signifie que l'adresse du réfrigérant spécifié est incorrecte.

• Sur la télécommande sans fil

La sonnerie continue est déclenchée dans la section de réception de l'appareil intérieur.

Clignotement du témoin de fonctionnement

• Sur la télécommande filaire

Code de vérification affiché à l'écran LCD.

• Si vous ne parvenez pas à faire fonctionner l'appareil correctement après avoir mené à bien le test d'essai indiqué ci-dessus, consulter le tableau suivant pour en trouver la cause éventuelle.

Symptôme		Cause
Télécommande filaire	LED 1, 2 (circuit de l'appareil extérieur)	
Please Wait	Pendant environ 3 minutes après la mise sous tension.	LED 1 et 2 sont allumés, LED 2 s'éteint, puis seul LED 1 reste allumé (Fonctionnement correct).
Please Wait → Code d'erreur	Après un délai d'environ 3 minutes suivant la mise sous tension.	Seul LED 1 est allumé. → LED 1 et 2 clignotent.
Aucun message n'est affiché même lorsque l'interrupteur de fonctionnement est sur ON (le témoin de fonctionnement ne s'allume pas).		Seul LED 1 est allumé. → LED 1 clignote deux fois, LED 2 clignote une fois.

Sur la télécommande sans fil, avec les problèmes susmentionnés, il se passe ce qui suit :

- Aucun signal de la télécommande n'est accepté.
- Le témoin OPERATION clignote.
- La sonnerie émet un son court et aigu.

**Remarque :**

**Son utilisation n'est pas possible pendant 30 secondes après l'annulation de la sélection de fonction (Fonctionnement correct).**

Pour consulter la description de chaque LED (LED 1, 2, 3) fournie sur le panneau du contrôleur intérieur, voir page 13.

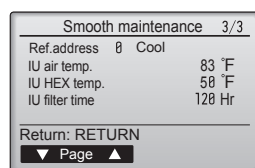
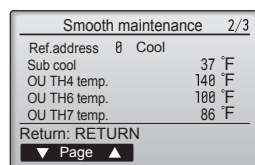
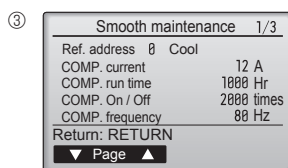
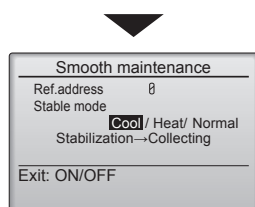
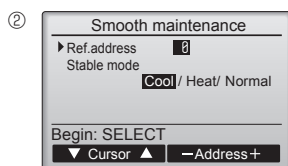
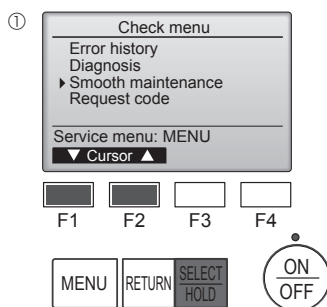


## 8. Fonction d'entretien aisé

Les données de maintenance, telles que la température de l'échangeur thermique et le courant de fonctionnement du compresseur de l'appareil intérieur/extérieur, peuvent être affichées à l'aide de la fonction "Smooth maintenance" (Entretien facile).

\* Ceci ne peut pas être effectué en mode d'essai.

\* En fonction de la combinaison avec l'appareil extérieur, ceci peut ne pas être pris en charge par certains modèles.



- Sélectionnez "Service" dans Main menu (menu général) puis appuyez sur la touche [SELECT/HOLD].
- Sélectionnez "Check" (Vérif.) à l'aide de la touche [F1] ou [F2] puis appuyez sur la touche [SELECT/HOLD].
- Sélectionnez "Smooth maintenance" (Entretien facile) à l'aide de la touche [F1] ou [F2] puis appuyez sur la touche [SELECT/HOLD].

### Sélectionnez chaque élément

- Sélectionnez l'élément à modifier à l'aide de la touche [F1] ou [F2].
- Sélectionnez le réglage requis à l'aide de la touche [F3] ou [F4].  
 Réglage "Ref. address" (Adresse réf.)..... "0" - "15"  
 Réglage "Stable mode" (Mode stable) ..... "Cool" (Froid) / "Heat" (Chaud) / "Normal"
- Appuyez sur la touche [SELECT/HOLD], le fonctionnement stable démarre.
- \* Stable mode (mode Stable) prend environ 20 minutes.

Les données de fonctionnement apparaissent.

La durée cumulative de fonctionnement du compresseur (COMP. run) est exprimée en unités de 10 heures, et le nombre de cycles marche/arrêt (COMP. On/Off) en unités de 100 fois (sans fractions).

### Naviguer dans les écrans

- Pour revenir au menu SAV ..... Touche [MENU]
- Pour revenir à l'écran précédent..... Touche [RETURN]

# Contenido

1. Medidas de Seguridad .....	1	5. Tubería de drenaje .....	7
2. Lugar en que se instalará .....	2	6. Trabajo eléctrico .....	9
3. Instalación de la unidad interior .....	3	7. Prueba de funcionamiento .....	12
4. Instalación de los tubos del refrigerante .....	6	8. Función de mantenimiento fácil .....	16

## Nota:

En este manual de instrucciones, la frase "Controlador remoto cableado" se refiere a PAR-40MAA. Si necesita más información sobre el otro controlador remoto, consulte el manual de instalación incluido con el controlador remoto opcional.

## 1. Medidas de Seguridad

- ▶ Antes de instalar la unidad, asegúrese de haber leído el capítulo de "Medidas de seguridad".
- ▶ Las "Medidas de seguridad" señalan aspectos muy importantes sobre seguridad. Es importante que se cumplan todos.
- ▶ Antes de conectar este equipo al sistema de suministro eléctrico, informe a su proveedor u obtenga su consentimiento.

### Símbolos utilizados en el texto

#### ⚠ Atención:

Describe precauciones que deben tenerse en cuenta para evitar el riesgo de lesiones o muerte del usuario.

#### ⚠ Cuidado:

Describe las precauciones que se deben tener para evitar daños en la unidad.

### Símbolos utilizados en las ilustraciones



: Indica una pieza que debe estar conectada a tierra.



: Asegúrese de no hacerlo.

Después de terminar la instalación, explique las "Medidas de Seguridad", funcionamiento y mantenimiento de la unidad al cliente según el Manual de instrucciones y realice una prueba para asegurarse de que funciona correctamente. Entregue una copia del Manual de instalación y del Manual de instrucciones al usuario. Estos manuales deben pasar a usuarios posteriores del equipo.

#### ⚠ Atención:

- Lea atentamente las etiquetas adheridas a la unidad principal.
- La instalación, la reubicación y las reparaciones de la unidad debe realizarse por un distribuidor o un técnico autorizado.
- El usuario no debe intentar reparar la unidad ni desplazarla a otra ubicación bajo ningún concepto.
- Para los trabajos de instalación y reubicación, siga las instrucciones del Manual de instalación y utilice herramientas y componentes para tuberías fabricados específicamente para su uso con el refrigerante indicado en el manual de instalación de la unidad exterior.
- La unidad debe instalarse según las instrucciones para reducir posibles daños en caso de terremoto, huracán o vientos fuertes. Si no se instala correctamente, la unidad podría caerse y provocar daños o lesiones.
- No modifique la unidad. Podría producirse fuego, una descarga eléctrica, lesiones o escape de agua.
- La unidad debe instalarse firmemente sobre una estructura capaz de soportar su peso.
- El aparato debe guardarse en una zona bien ventilada, y la habitación debe tener el tamaño especificado para un funcionamiento correcto.
- Si el acondicionador de aire se instala en una habitación pequeña o cerrada, deberán tomarse medidas para evitar que la concentración de refrigerante exceda los límites de seguridad en caso de que se produzcan fugas de refrigerante. Si se produce una fuga de refrigerante que sobrepase los límites de concentración, la estancia en la sala puede ser peligrosa por falta de oxígeno.
- Mantenga los aparatos que utilizan combustibles gaseosos, calefactores eléctricos y otros elementos inflamables (fuentes de ignición) apartados del lugar donde se llevará a cabo la instalación, reparación y otras tareas en el acondicionador de aire. Si el refrigerante entra en contacto con una llama, se liberarán gases tóxicos.
- Si se produce una fuga de refrigerante durante el funcionamiento, ventile la sala. Si el refrigerante entra en contacto con una llama, se desprenderán gases nocivos.
- Todas las conexiones eléctricas deberán ser realizadas por un técnico cualificado según la normativa local y las instrucciones de este manual.
- No utilice la conexión intermedia de los cables eléctricos.
- Utilice solo cables especificados para el cableado. Las conexiones del cableado se deben realizar con seguridad sin que se ejerza tensión en las conexiones de los terminales. Asimismo, no empalme nunca los cables al realizar el cableado (a menos que se indique lo contrario en este documento). El hecho de no seguir estas instrucciones puede provocar un sobrecalentamiento o un incendio.
- Cuando instale o cambie de sitio el acondicionador de aire, o al realizar tareas de mantenimiento, utilice únicamente el refrigerante indicado en la unidad exterior para cargar los tubos del refrigerante. No lo mezcle con otro tipo de refrigerante y vacíe completamente de aire los tubos.

Si el aire se mezcla con el refrigerante, podría producir una tensión anormalmente alta en el tubo del refrigerante y ocasionar una explosión u otros peligros.

- Usar un refrigerante distinto al indicado para el sistema provocará un fallo mecánico, un funcionamiento defectuoso del sistema o la avería de la unidad. En el peor de los casos, podría suponer un grave impedimento para garantizar la seguridad del producto.
- El aparato eléctrico debe instalarse siguiendo las regulaciones vigentes del país en materia de cableado.
- Este aparato no debe ser utilizado por personas (incluidos niños) que presenten una discapacidad física, sensorial o mental, y tampoco por aquellos que no dispongan de la experiencia o el conocimiento necesario, a menos que lo hagan bajo la supervisión de una persona responsable de la seguridad o que hayan recibido instrucciones por parte de esta sobre uso del aparato.
- Los niños deben estar vigilados por personas adultas para impedir que jueguen con el equipo.
- El panel de la cubierta del bloque de terminales de la unidad debe colocarse firmemente.
- Si el cable de alimentación sufre daños, debe ser sustituido por el fabricante, su servicio técnico o personal con una cualificación equivalente para evitar cualquier peligro.
- Utilice únicamente accesorios autorizados y solicite su instalación a un distribuidor o técnico autorizado. Si los accesorios no se instalan correctamente, pueden producirse escapes de agua, descargas eléctricas o incendios.
- Tras haber realizado la instalación, compruebe si hay fugas de refrigerante. Si en caso de fuga el refrigerante entra en contacto con las llamas de un calentador o de un equipo de cocina portátil, se desprenderán gases nocivos.
- Para acelerar el proceso de descongelación o para limpiar el aparato, utilice únicamente los medios recomendados por el fabricante.
- El aparato debe guardarse en una habitación sin fuentes de ignición en funcionamiento continuo (por ejemplo: llamas abiertas, un aparato de gas en funcionamiento o un calentador eléctrico en funcionamiento).
- No perforo ni queme el equipo.
- Tenga en cuenta que es posible que los refrigerantes no emitan olores.
- Las tuberías deben protegerse de posibles daños físicos.
- Las tuberías instaladas deben ser las mínimas.
- Deben observarse las normativas nacionales relativas al gas.
- Mantenga las aberturas de ventilación necesarias libres de obstáculos.
- No utilice una aleación para soldadura de baja temperatura si decide soldar los tubos de refrigerante.
- Cuando realice trabajos de soldadura, procure que la habitación esté bien ventilada. Compruebe que no haya materiales peligrosos o inflamables cerca de la zona de trabajo. Si trabaja en una habitación cerrada o pequeña, o en un lugar similar, compruebe que no haya fugas de refrigerante antes de realizar el trabajo. Si se producen fugas de refrigerante y este se acumula, puede encenderse o liberar gases tóxicos.

# 1. Medidas de Seguridad

## 1.1. Cuestiones previas a la instalación (Ambiente)

### ⚠ Cuidado:

- No utilice la unidad en un ambiente enrarecido. Si instala el aire acondicionado en áreas expuestas al vapor, aceite esencial (incluyendo el aceite para máquinas), o humo sulfúrico, áreas con alto contenido en sal como playas, el rendimiento puede verse reducido significativamente y las piezas internas pueden dañarse.
- No instale la unidad donde se puedan verter, producir, circular o acumular gases inflamables. Si se acumula gas inflamable en zonas próximas a la unidad, se podría producir un incendio o una explosión.
- No coloque alimentos, plantas, animales, obras de arte o instrumentos de precisión en la salida de aire directa de la unidad exterior o demasiado cerca de ella, ya que los cambios de temperatura o el agua que gotea podrían dañarlos.
- Quando la humedad de la habitación supera el 80%, o cuando el tubo de drenaje esté obstruido, puede gotear agua de la unidad interior. No instale la unidad interior en lugares donde el goteo pueda causar daños.
- Si instala la unidad en un hospital o en un centro de comunicaciones, recuerde que la unidad produce ruidos e interferencias electrónicas. Los conmutadores, aparatos domésticos, equipos médicos de alta frecuencia y las comunicaciones de radio pueden provocar un mal funcionamiento o la avería del equipo de aire acondicionado. El equipo de aire acondicionado también puede afectar los equipos médicos e interrumpir los cuidados médicos, así como los equipos de comunicación y dañar la calidad de la pantalla.

## 1.2. Antes de la instalación o reubicación

### ⚠ Cuidado:

- Tenga mucho cuidado cuando mueva las unidades. Se necesitan dos o más personas para llevar la unidad ya que pesa 20 kg o más. No la sujete por las bandas de embalaje. Utilice guantes protectores ya que se podría lesionar con las aletas u otras partes.
- Guarde los embalajes en un lugar seguro. Los materiales de embalaje, como clavos y otras piezas de metal o de madera pueden producir pinchazos y otras lesiones.
- El tubo de refrigerante debe estar aislado térmicamente para evitar la condensación. Si el tubo de refrigerante no se aísla correctamente, se formará condensación.
- Sitúe material aislante térmico en las tuberías para evitar la condensación. Si el tubo de drenaje no se instala correctamente, se puede producir un escape de agua o daños en el techo, suelo, muebles u otros objetos.
- No limpie con agua el equipo de aire acondicionado. Puede sufrir una descarga eléctrica.
- Apriete las tuercas de abocardado a los niveles especificados mediante una llave dinamométrica. Si las aprieta demasiado, se pueden romper al cabo de un tiempo.

## 1.3. Antes de la instalación eléctrica

### ⚠ Cuidado:

- Asegúrese de instalar disyuntores. Si no se instalan, se podrían producir descargas eléctricas.
- Use cables estándar de suficiente capacidad para las líneas eléctricas. Si no lo hace así, se podría producir un cortocircuito, un sobrecalentamiento o un incendio.
- Quando instale las líneas eléctricas, los cables no deben tener corriente.
- Asegúrese de instalar una toma de tierra. Si la unidad no está bien conectada a la línea de tierra, se puede producir una descarga eléctrica.
- Utilice disyuntores (interruptor de falta de tierra, interruptor aislante (+fusible B) e interruptores en caja moldeada) con la potencia especificada. Si la potencia del interruptor es mayor que la especificada, puede ocurrir un incendio o una avería.

## 1.4. Antes de realizar las pruebas de funcionamiento

### ⚠ Cuidado:

- Conecte la corriente al menos 12 horas antes de que empiece a funcionar el equipo. Si se acciona inmediatamente después de haberlo conectado a la corriente, pueden producirse daños graves en las piezas internas.
- Antes de que comience a funcionar el equipo, compruebe que todos los paneles y protectores están instalados correctamente. Las piezas giratorias, calientes o de alto voltaje pueden provocar lesiones.
- No haga funcionar el equipo de aire acondicionado sin el filtro de aire instalado. Si el filtro de aire no está colocado, se puede acumular el polvo y se puede averiar el equipo.
- No toque ningún interruptor con las manos mojadas. Puede sufrir una descarga eléctrica.
- No toque la tubería del refrigerante sin guantes mientras durante el funcionamiento.
- Una vez deje de funcionar el aparato, espere cinco minutos antes de apagar el interruptor principal. De lo contrario, se puede producir un goteo de agua o una avería.

# 2. Lugar en que se instalará

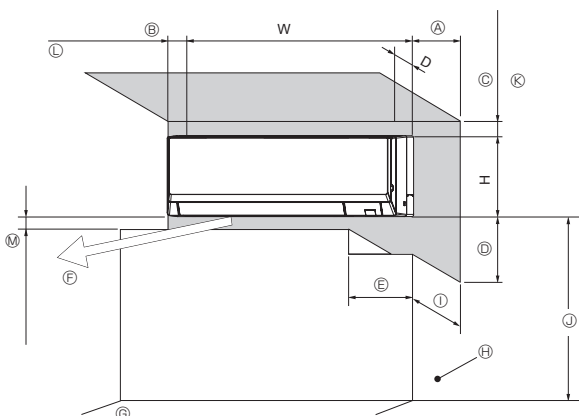


Fig. 2-1

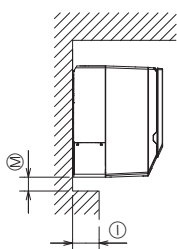


Fig. 2-2

## 2.1. Dimensiones exteriores (Unidad interior) (Fig. 2-1, 2-2)

Seleccione una posición adecuada, de forma que queden las siguientes distancias para proceder a la instalación y al mantenimiento.

(mm, pulgadas)

D	W	H	A	B	C	D	E
237	898	299	Min. 150	Min. 50	Min. 50	Min. 250	Min. 260
9-11/32	35-23/64	11-25/32	Min. 5-29/32	Min. 1-31/32	Min. 1-31/32	Min. 9-27/32	Min. 10-1/4

- F Salida de aire: No coloque ningún obstáculo en 1500 mm, 59-1/16 pulg. de la salida del aire.
- G Superficie del suelo
- H Mobiliario
- I Cuando la dimensión de proyección de una guía de cortina o similar con respecto a la pared supera los 60 mm, 2-23/64 pulg., debe tomarse una distancia adicional, ya que la corriente de aire del ventilador puede crear un ciclo corto.
- J 1800 mm, 70-55/64 pulg. o más desde la superficie del suelo (para montaje en ubicaciones altas)
- K 75 mm, 2-61/64 pulgadas, como mínimo con la tubería izquierda, posterior izquierda o inferior izquierda, e instalación opcional de bomba de drenaje. (Utilice el gancho situado en la parte inferior de la placa de montaje cuando las dimensiones sean como mínimo de 55 mm, 2-11/64 pulg. y como máximo de 75 mm, 2-61/64 pulg. (menos de 55 mm, 2-11/64 pulg.: incorrecto). Consulte el apartado 3.5. para obtener más información).
- L 350 mm, 13-25/32 pulg. o más con la instalación de la bomba opcional de drenaje
- M Consulte la Fig. 2-2

(mm, pulgadas)

M	I		Con BOMBA DE DRENAJE opcional
	60 como máximo	Más de 60	
	2-23/64 como máximo	Más de 2-23/64	
	Min. 7	Min. 60	Min. 250
	Min. 9/32	Min. 2-23/64	Min. 9-27/32

\* Deje un espacio para que el deflector pueda funcionar.

### 3. Instalación de la unidad interior

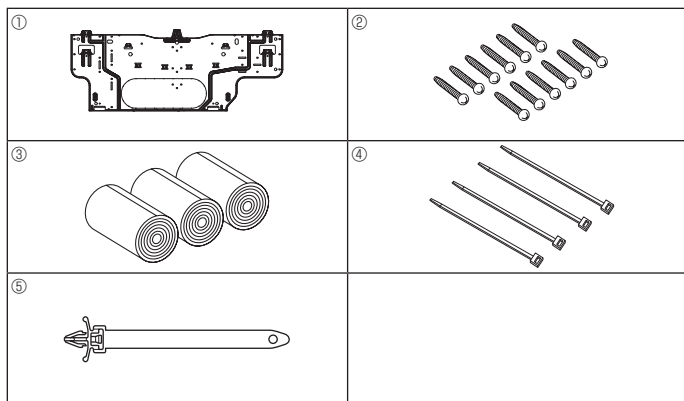


Fig. 3-1

#### 3.1. Comprobación de los accesorios de la unidad interior (Fig. 3-1)

La unidad interior debe ir acompañada de los siguientes accesorios.

NÚMERO	ACCESORIO	CANTIDAD	UBICACIÓN
①	Placa de montaje	1	Fijado a la parte trasera de la unidad
②	Tornillo roscado 4 × 25	12	
③	Cinta de fieltro	3	
④	Banda de fijación	4	
⑤	Grapa	1	

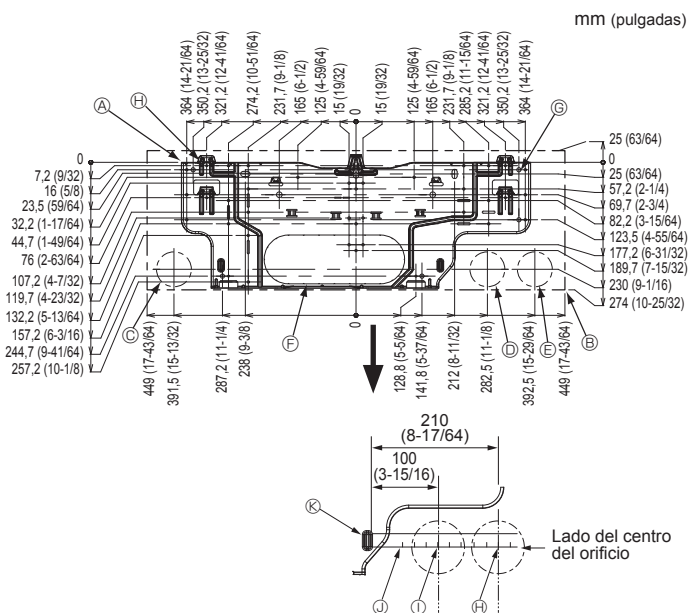


Fig. 3-2

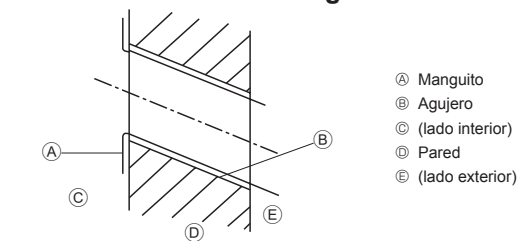


Fig. 3-3

#### 3.2. Instalación del soporte de montaje en la pared

##### 3.2.1. Determine las posiciones del soporte de montaje y de las tuberías

► Con la ayuda del soporte de montaje determine dónde se colocará la unidad y los lugares en que se hará un agujero para las tuberías.

##### ⚠ Atención:

Antes de hacer los agujeros de la pared, consulte al contratista.

##### [Fig. 3-2]

- Ⓐ Placa de montaje ①
- Ⓑ Unidad interior
- Ⓒ Orificio de la tubería posterior inferior izquierda (ø75 mm, 2-61/64 pulgadas)
- Ⓓ Orificio de la tubería posterior inferior derecha (ø75 mm, 2-61/64 pulgadas)
- Ⓔ Orificio del cable de conducción posterior inferior derecho (ø75 mm, 2-61/64 pulgadas)
- Ⓕ Orificio preperforado para el orificio posterior izquierdo (105 × 300 mm, 3-15/16 × 11-13/16 pulgadas)
- Ⓖ Orificio troquelado (orificio de 4-ø9 mm, 23/64 pulg.)
- Ⓗ Orificio roscador (orificio de 6-ø4,3mm, 11/64 pulg.)
- Ⓛ Centro del orificio
- Ⓜ Alinear la escala con la línea.
- Ⓝ Introducir la escala.

##### 3.2.2. Hacer el agujero para las tuberías (Fig. 3-3)

► Utilice un taladro para hacer un orificio de 75 - 80 mm, 2-61/64 - 3-5/32 pulgadas, de diámetro en la pared en la dirección de la tubería, en la posición que se muestra en el diagrama de la izquierda.

► La perforación de la pared debe inclinarse, de manera que el orificio exterior esté más bajo que el orificio interior.

► Introduzca un manguito por el agujero (de 75 mm, 2-61/64 pulg. de diámetro y comprado en su localidad).

##### Nota:

El objetivo de la inclinación del agujero perforado es facilitar el drenaje.

### 3. Instalación de la unidad interior

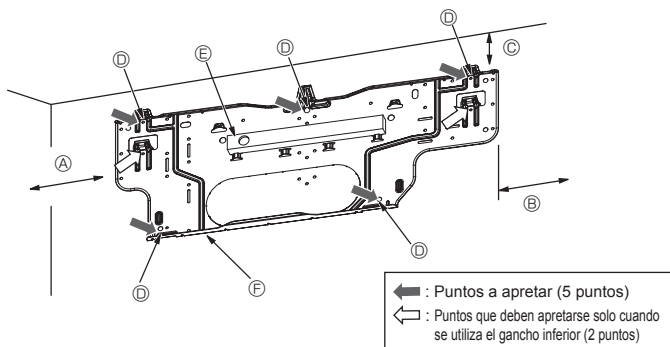


Fig. 3-4

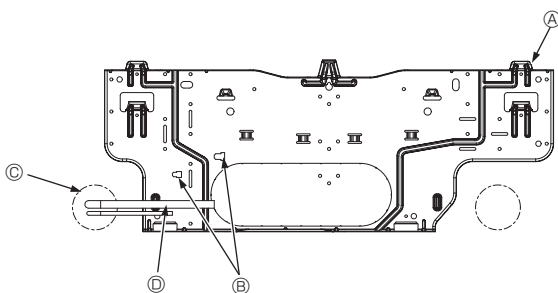


Fig. 3-5

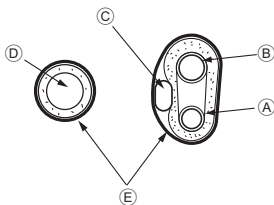


Fig. 3-6

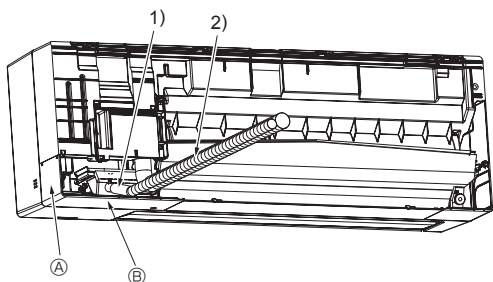


Fig. 3-7

#### 3.2.3. Instalación del soporte de montaje en la pared

- Como la unidad interior pesa casi 13 kg, 29 lbs, tendrá que tener en cuenta el lugar de montaje. Si la pared no parece lo suficientemente fuerte, refuércela con tablas y vigas antes de instalar la unidad.
- El soporte de montaje se fijará por ambos extremos y por el centro, si es posible. No lo fije nunca por un solo punto o de manera asimétrica. (Si es posible, sujete el soporte por todos los lados marcados con una flecha gruesa.)

#### ⚠ Atención:

Si es posible, fije el soporte en todas las posiciones marcadas con una flecha.

#### ⚠ Cuidado:

- La unidad se tiene que montar horizontalmente.
- Apriete en los agujeros indicados por las flechas.

#### (Fig. 3-4)

- Ⓐ Mín. 119 mm, 4-11/16 pulg. (669 mm, 26-11/32 pulg. o más con la instalación de la bomba opcional de drenaje)
- Ⓑ Mín. 224 mm, 8-13/16 pulg.
- Ⓒ Mín. 75 mm, 2-61/64 pulgadas (Utilice el gancho situado en la parte inferior de la placa de montaje cuando las dimensiones sean como máximo de 100 mm, 3-15/16 pulgadas, con la tubería izquierda, posterior izquierda o inferior izquierda, e instalación opcional de bomba de drenaje. Consulte el apartado 3.5. para obtener más información).
- Ⓓ Tornillos de fijación (4 × 25) ②
- Ⓔ Nivel
- Ⓕ Placa de montaje ①

#### 3.3. Cuando coloque los tubos en la pared (Fig. 3-5)

- Los tubos están en la parte inferior izquierda.
- Cuando las líneas de conexión interna/externa del tubo de refrigerante y de los tubos de drenaje tienen que empotrarse en la pared con anterioridad, es probable que haya que doblar los tubos troquelados, etc., y modificar su longitud para adaptarlos a la unidad.
- Utilice la marca de la placa de montaje como referencia cuando vaya a ajustar la longitud del tubo de refrigerante empotrado.
- Durante la construcción, deje un margen en la longitud de los tubos troquelados, etc.

- Ⓐ Placa de montaje ①
- Ⓑ Marca de referencia de la conexión abocinada
- Ⓒ Orificio pasante
- Ⓓ Tuberías locales

#### 3.4. Preparación de la unidad interior

- \* Compruébelo de antemano, porque los preparativos diferirán según la dirección de salida de la tubería.
- \* Si dobla la tubería, hágalo de forma gradual y sujetando la base de la parte de tubería que sale. (Si se dobla bruscamente, se puede deformar la tubería.)
- \* Corte la salida de la tubería dependiendo de la dirección de salida de la misma.

#### Extracción y procesamiento de las tuberías y el cableado (Fig. 3-6)

1. Conexión del cableado interior/exterior → Consulte la página 9.
2. Envuelva con cinta de fieltro ③ la zona de las tuberías de refrigerante y la manguera de drenaje que se alojará dentro del espacio para tuberías de la unidad interior.
  - Envuelva firmemente con cinta de fieltro ③ desde la base de las tuberías de refrigerante y de la manguera de drenaje.
  - Solape la cinta de fieltro ③ sobre la mitad de la anchura de la cinta.
  - Fije la parte final de la envoltura con cinta de vinilo.
3. Procure no levantar la manguera de drenaje y que no se produzca contacto con el cuerpo de la caja de la unidad interior.
  - No tire de la manguera de drenaje a la fuerza, porque podría salirse.

#### Tuberías de la parte posterior, derecha e inferior (Fig. 3-7)

- 1) Procure no levantar la manguera de drenaje y que no se produzca contacto con el cuerpo de la unidad interior. Disponga la manguera de drenaje en el lado inferior de las tuberías y envuélvala con cinta de fieltro ③.
- 2) Envuelva firmemente con cinta de fieltro ③ empezando por la base. (Solape la cinta de fieltro sobre la mitad de la anchura de la cinta.)
  - Ⓐ Corte para tuberías de la parte derecha.
  - Ⓑ Corte para tuberías de la parte inferior.

### 3. Instalación de la unidad interior

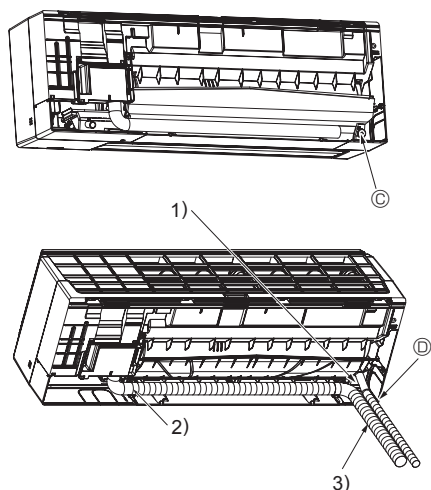


Fig. 3-8

#### Tuberías de la parte izquierda y posterior izquierda (Fig. 3-8)

- Reinstalación de la manguera de drenaje → Consulte 5. Tubería de drenaje. Asegúrese de volver a colocar la manguera de drenaje y la tapa de drenaje para las tuberías de la parte izquierda y posterior izquierda. Pueden producirse goteos si olvida instalar o no vuelve a colocar estas piezas.

ⓐ Tapa de drenaje

- Procure no levantar la manguera de drenaje y que no se produzca contacto con el cuerpo de la caja de la unidad interior.
- Envuelva firmemente con cinta de fieltro ⓑ empezando por la base. (Solape la cinta de fieltro sobre la mitad de la anchura de la cinta.)
- Fije la parte final de la cinta de fieltro ⓑ con cinta de vinilo.

ⓓ Corte para tuberías de la parte izquierda.

### 3.5. Montaje de la unidad interior

- Fije la placa de montaje ① en la pared.
- Cuelgue la unidad interior en el gancho que está colocado en la parte superior de la placa de montaje.

#### Tuberías de la parte posterior, derecha e inferior (Fig. 3-9)

- Al introducir las tuberías de refrigerante y la manguera de drenaje en el orificio de penetración en la pared (manguito de penetración), cuelgue la parte superior de la unidad interior en la placa de montaje ①.
- Mueva la unidad interior a izquierda y derecha, y asegúrese de que esté colgada firmemente.
- Fije la unidad en la placa de montaje ① empujando la parte inferior de la unidad. (Fig. 3-10)

\* Asegúrese de que los tiradores de la parte inferior de la unidad interior estén bien enganchados en la placa de montaje ①.

- Tras la instalación, compruebe que la unidad interior esté nivelada.

- ⓐ Placa de montaje ①
- ⓑ Unidad interior
- ⓒ Gancho
- ⓓ Orificio cuadrado

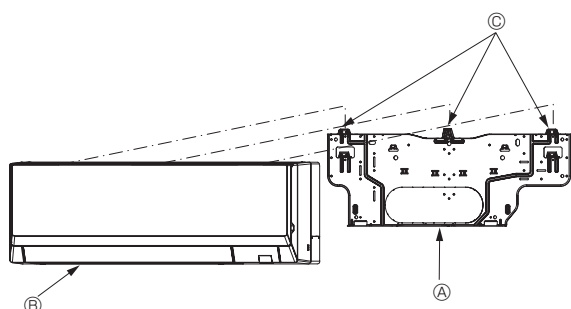


Fig. 3-9

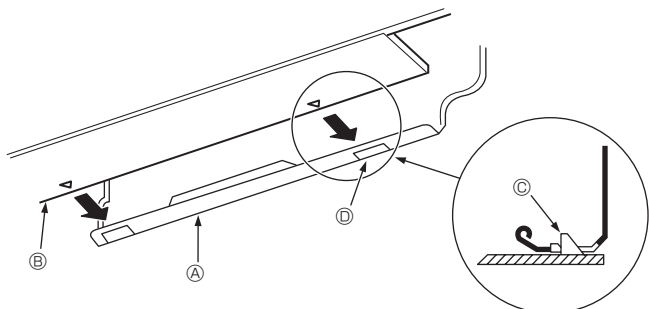


Fig. 3-10

#### Tuberías de la parte izquierda y posterior izquierda (Fig. 3-11)

- Al introducir la manguera de drenaje en el orificio de penetración en la pared (manguito de penetración), cuelgue la parte superior de la unidad interior en la placa de montaje ①.

Corte parte de la caja de embalaje y forme un cilindro, tal como se muestra en el diagrama. Engánchelo en el saliente de la superficie posterior a modo de pieza distanciadora y levante la unidad interior.

- Conecte las tuberías de refrigerante con las tuberías de refrigerante locales.
- Fije la unidad en la placa de montaje ① empujando la parte inferior de la unidad.

\* Asegúrese de que los tiradores de la parte inferior de la unidad interior estén bien enganchados en la placa de montaje ①.

- Tras la instalación, compruebe que la unidad interior esté nivelada.

- ⓐ Unidad interior
- ⓑ Caja de embalaje
- ⓒ Pieza distanciadora (corte una parte del cartón de la caja de embalaje).

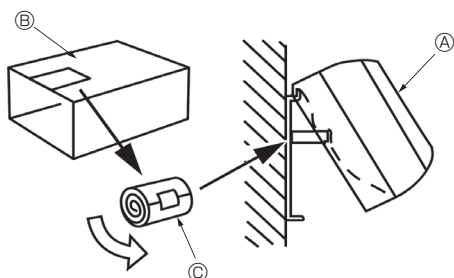


Fig. 3-11

#### Nota:

- Si la unidad interior no puede colgarse y levantarse con el gancho normal (las dimensiones de 2.1. ⊗ (el espacio entre el techo y la unidad) son como máximo de 75 mm, 2-61/64 pulgadas), cuelgue la unidad en el gancho inferior para la tubería izquierda. (Fig. 3-12)

- El gancho inferior es temporal y solo se utiliza para la instalación. Una vez finalizada la instalación, procure colgar siempre la unidad interior en el gancho normal.

La unidad interior no puede utilizarse mientras está colgada en el gancho inferior.

#### (Fig. 3-12)

- ⓐ Gancho normal
- ⓑ Gancho inferior para la tubería izquierda
- ⓒ Pieza distanciadora
- ⓓ Tornillo de fijación ②

\* Cuando utilice el gancho inferior, procure atornillar la base del gancho inferior con un tornillo de fijación ②, ya que de lo contrario la unidad interior se caerá.

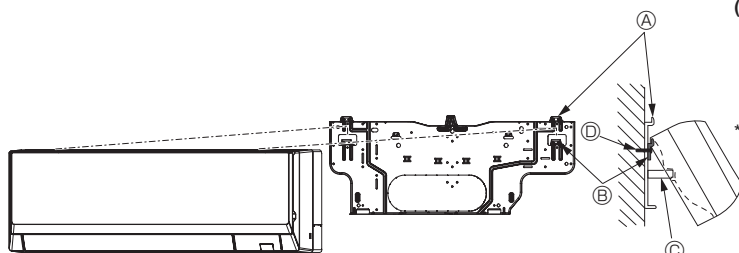


Fig. 3-12

## 4. Instalación de los tubos del refrigerante

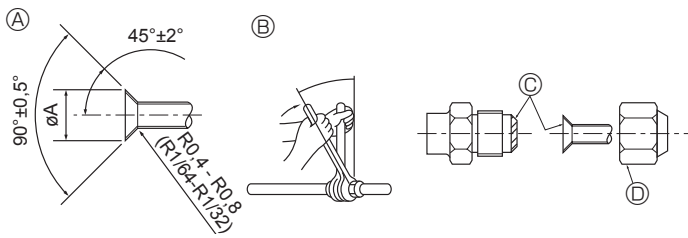


Fig. 4-1

A Dimensiones del corte abocinado

Diám. ext. tubo de cobre (mm, pulgada)	Dimensiones de abocinado Dimensiones øA (mm, pulgada)
ø6,35, 1/4"	8,7 - 9,1, 11/32 - 23/64
ø12,7, 1/2"	16,2 - 16,6, 41/64 - 21/32

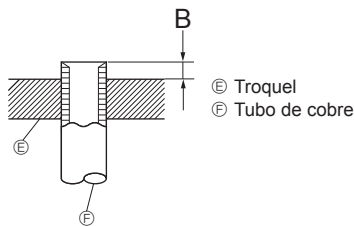


Fig. 4-2

Diám. ext. tubo de cobre (mm, pulgada)	B (mm, pulgada)	
	Herramienta abocinada para R32/R410A	Tipo gancho
ø6,35, 1/4"	0 - 0,5, 0 - 1/64	0 - 0,5, 0 - 1/64
ø12,7, 1/2"	0 - 0,5, 0 - 1/64	0 - 0,5, 0 - 1/64

### 4.1. Precauciones

Para aparatos con refrigerante R32/R410A

- Utilice aceite de alquilobenceno (en pequeñas cantidades) para recubrir las secciones abocardadas.
- Utilice tubos de cobre fosforoso del tipo C1220 y tubos de aleación de cobre sin costuras para conectar los tubos del refrigerante. Utilice tuberías para refrigerante del grosor especificado en la tabla siguiente. Asegúrese de que el interior de las tuberías está limpio y que no contienen ningún contaminante nocivo como compuestos sulfúricos, oxidantes, restos o polvo.

#### ⚠ Atención:

Cuando instale o cambie de sitio el acondicionador de aire, o al realizar tareas de mantenimiento, utilice únicamente el refrigerante indicado en la unidad exterior para cargar los tubos del refrigerante. No lo mezcle con otro tipo de refrigerante y vacíe completamente de aire los tubos. Si el aire se mezcla con el refrigerante, podría producir una tensión anormalmente alta en el tubo del refrigerante y ocasionar una explosión u otros peligros. Usar un refrigerante distinto al indicado para el sistema provocará un fallo mecánico, un funcionamiento defectuoso del sistema o la avería de la unidad. En el peor de los casos, podría suponer un grave impedimento para garantizar la seguridad del producto.

ø6,35 mm, 1/4 pulg. grosor 0,8 mm, 1/32 pulg.	ø9,52 mm, 3/8 pulg. grosor 0,8 mm, 1/32 pulg.
ø12,7 mm, 1/2 pulg. grosor 0,8 mm, 1/32 pulg.	ø15,88 mm, 5/8 pulg. grosor 1,0 mm, 3/64 pulg.

- No utilice tubos con un grosor menor del especificado a continuación.

### 4.2. Tubos de conexión (Fig. 4-1)

- Si se utilizan tubos de cobre convencionales, envuelva los tubos de gas y líquido con materiales aislantes (resistente al calor hasta 100 °C, 212 °F o más, espesor de 12 mm, 1/2 pulgada o más).
- Las piezas interiores del tubo de drenaje tienen que estar envueltas en materiales aislantes de espuma de polietileno (gravedad específica de 0,03 y espesor de 9 mm, 23/64 pulgadas o más).
- Aplique una capa delgada de aceite refrigerante a la superficie tubo y de la junta de asiento antes de apretar la tuerca de abocardado.
- Utilice dos llaves de apriete para apretar las conexiones de los tubos.
- Utilice el aislante de tubería de refrigerante suministrado para aislar las conexiones de la unidad interior. Realice los aislamientos con cuidado.
- Después de haber conectado los tubos de refrigerante a la unidad interior, realice una prueba de fuga de gas de las conexiones de los tubos con gas nitrógeno. (Compruebe que no exista ninguna fuga entre los tubos de refrigerante y la unidad interior.)
- Utilice la tuerca abocardada instalada en esta unidad interior.
- Si vuelve a conectar los tubos de refrigerante después de desmontarlos, asegúrese de que se haya reconstruido la parte abocardada del tubo.

B Torsión de apriete de la tuerca abocardada

Diám. ext. tubo de cobre (mm, pulgada)	Diám. ext. tuerca de abocardado (mm, pulgada)	Par de apriete (N-m, pies-libras)
ø6,35, 1/4	17, 43/64	14 - 18, 10 - 13
ø12,7, 1/2	28, 1-7/64	49 - 61, 35 - 44

- Aplique aceite refrigerante para máquinas en toda la superficie abocinada. No aplique aceite refrigerante para máquinas en las partes roscadas. (Esto hará que las tuercas abocardadas tiendan más a aflojarse.)
- Asegúrese de utilizar las tuercas abocardadas que vienen colocadas en la unidad principal. (Si se utilizan productos de venta en comercios, podrían partirse.)

#### ⚠ Atención:

Al instalar la unidad, conecte firmemente las tuberías de refrigerante antes de poner en marcha el compresor.

### 4.3. Colocación de los tubos del refrigerante y de drenaje (Fig. 4-3)

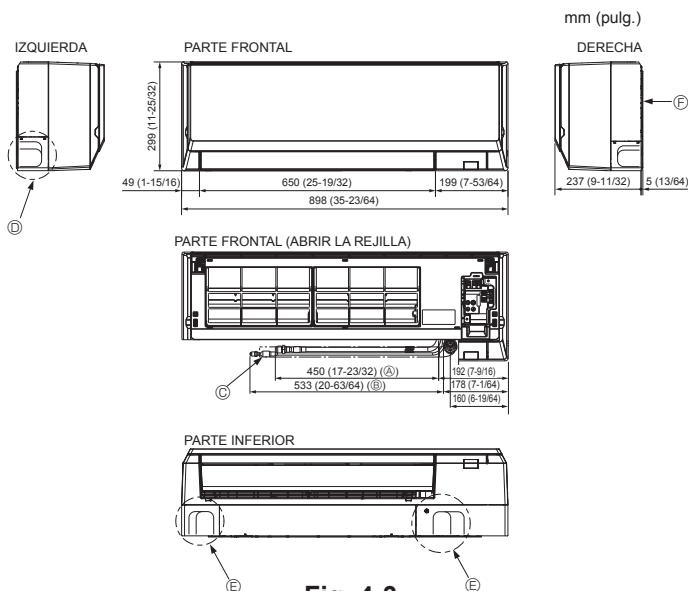


Fig. 4-3

- A Tubo de gas \* Indica el estado con los accesorios montados.
- B Tubo de líquido
- C Manguera de drenaje (Longitud efectiva: 500 mm, 19-11/16 pulgadas)
- D Orificio ciego para las tuberías del lado izquierdo
- E Orificio ciego para las tuberías del lado derecho
- F Orificio ciego para las tuberías de la parte inferior
- G Placa de montaje ①

## 4. Instalación de los tubos del refrigerante

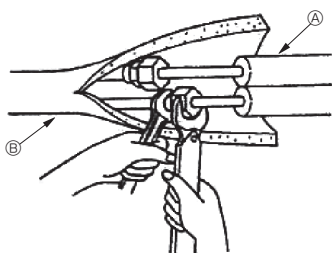


Fig. 4-4

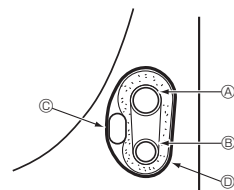


Fig. 4-5

### 4.4. Trabajo de instalación de la tubería del refrigerante (Fig. 4-4)

#### Unidad interior

1. Saque la tuerca de mariposa y la tapa de la unidad interior.
2. Efectúe un ensanchamiento para la tubería de líquido y la tubería de gas y aplique aceite refrigerante (que puede obtener a través de su proveedor local) en la superficie de la lámina de mariposa.
3. Conecte rápidamente los tubos de refrigerante existentes en la unidad.
4. Envuelva la tapa que está colocada en el tubo de gas y asegúrese de que la unión de la conexión no quede visible.
5. Envuelva la tapa del tubo de líquido de la unidad y asegúrese de que cubra el material aislante del tubo de líquido existente.
6. La parte en que se junta el material aislante se sella con cinta.

Ⓐ Tuberías de refrigerante locales

Ⓑ Tuberías de refrigerante de la unidad

#### 4.4.1. Alojamiento en el espacio para tuberías de la unidad (Fig. 4-5)

1. Envuelva con la cinta de fieltro suministrada la zona de las tuberías de refrigerante que se alojará dentro del espacio para tuberías de la unidad para evitar goteos.
2. Solape la cinta de fieltro sobre la mitad de la anchura de la cinta.
3. Fije la parte final de la envoltura con cinta de vinilo, etc.

Ⓐ Tubo de gas

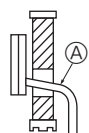
Ⓑ Tubo de líquido

Ⓒ Cable de conexión interior/exterior

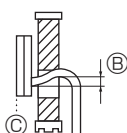
Ⓓ Cinta de fieltro Ⓣ

## 5. Tubería de drenaje

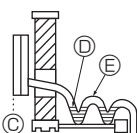
Correcto



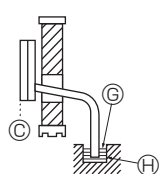
Incorrecto



Incorrecto



Incorrecto



Incorrecto

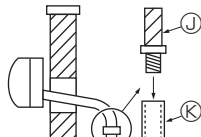
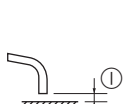


Fig. 5-1

### 5.1. Tubería de drenaje (Fig. 5-1)

- Los tubos de drenaje deben tener una inclinación de 1/100 o más.
- Para alargar la tubería de drenaje, utilice una manguera blanda (diámetro interior: 15 mm, 19/32 pulg.) disponible en tiendas especializadas o una tubería dura de cloruro de vinilo (VP-16/ TUBO DE PVC CON DIÁM. EXT. ø22 mm, 55/64 pulg.). Asegúrese de que no se producen fugas de agua en las conexiones.
- No ponga la tubería de drenaje directamente en una zanja de desagüe donde se pueda generar gas sulfúrico.
- Cuando haya terminado de trabajar en las tuberías, asegúrese de que el agua circula desde el final de la tubería de drenaje.

#### ⚠ Cuidado:

El tubo de drenaje se instalará de acuerdo con el Manual de Instalación para garantizar el drenaje correcto. El aislamiento térmico de los tubos de drenaje es necesario para evitar la condensación. Si los tubos de drenaje no se instalan y se aíslan correctamente, la condensación puede gotear por el techo, el suelo u otras propiedades.

Ⓐ Inclinado hacia abajo

Ⓑ Debe estar más abajo que el punto de salida

Ⓒ Fuga de agua

Ⓓ Drenaje atascado

Ⓔ Aire

Ⓕ Ondulado

Ⓖ El extremo del tubo de drenaje está bajo el agua.

Ⓖ Canaleta de drenaje

Ⓛ 5 cm, 1-31/32 pulg. o menos entre el extremo del tubo de drenaje y el suelo.

Ⓜ Manguera de drenaje

Ⓝ Manguera blanda de PVC (diámetro interior 15 mm, 19/32 pulg.)

o

tubo rígido de PVC (VP-16)

\* Unido con adhesivo de tipo PVC

### Preparación de la tubería izquierda y posterior izquierda (Fig. 5-2)

1. Saque la tapa de drenaje.
2. Saque la tapa de drenaje sujetando la parte que sobresale del extremo del tubo y tirando.
3. Saque la manguera de drenaje.
4. Saque la manguera de drenaje sujetando la base de la manguera Ⓜ (indicada con una flecha) y tire hacia usted Ⓜ.
5. Introduzca la tapa de drenaje.
6. Introduzca un destornillador u objeto similar en el orificio del extremo del tubo y asegúrese de que empuja la base de la tapa de drenaje.
7. Introduzca la manguera de drenaje.
8. Empuje la manguera de drenaje hasta que se encuentre en la base de la salida de la conexión de la caja de drenaje.
9. Asegúrese de que el gancho de la manguera de drenaje esté debidamente ajustado sobre la salida de conexión de la caja de drenaje troquelada.

Ⓜ Ganchos

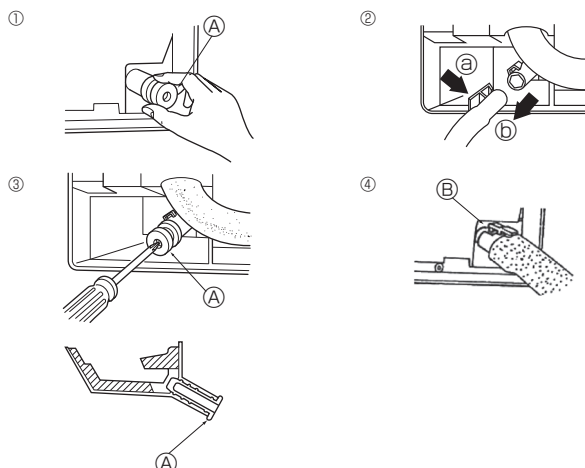


Fig. 5-2



## 5. Tubería de drenaje

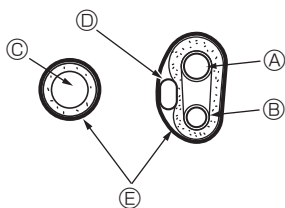


Fig. 5-3

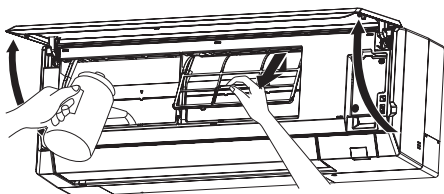


Fig. 5-4

### ◆ Alojamiento en el espacio para tuberías de la unidad interior (Fig. 5-3)

- \* Cuando la manguera de drenaje se haga pasar al interior, asegúrese de envolverla con material aislante de venta en comercios.
- \* Junte la manguera de drenaje y las tuberías de refrigerante, y envuélvalas con la cinta de fieltro ③ suministrada.
- \* Solape la cinta de fieltro ③ sobre la mitad de la anchura de la cinta.
- \* Fije la parte final de la envoltura con cinta de vinilo, etc.

- Ⓐ Tubo de gas
- Ⓑ Tubo de líquido
- Ⓒ Manguera de drenaje
- Ⓓ Cableado de conexión interior/exterior
- Ⓔ Cinta de fieltro ③

### ◆ Comprobación del drenaje (Fig. 5-4)

1. Abra la rejilla frontal y extraiga el filtro.
2. De cara a las aletas del intercambiador de calor, añada agua despacio.
3. Tras la comprobación del drenaje, coloque el filtro y cierre la rejilla.

## 6. Trabajo eléctrico

### 6.1. Cableado eléctrico

[Fig. 6-1]

La conexión se puede realizar sin quitar el panel frontal.

- Abra la rejilla frontal, retire los tornillos (2 unidades) y retire la cubierta de la caja eléctrica.
  - El trabajo eléctrico puede realizarse de manera más efectiva con el panel retirado. Cuando coloque el panel, compruebe que los ganchos ㉓ situados en tres posiciones en el lado de la salida de aire estén bien conectados.
- Conecte firmemente cada cable al bloque de terminales.
  - Teniendo en cuenta los trabajos de mantenimiento, deje una longitud extra para cada uno de los cables.
  - Tenga cuidado cuando utilice cables trenzados, ya que las puntas de los hilos pueden provocar un cortocircuito en el cableado.
- Vuelva a instalar las piezas retiradas en su estado original.
- Al pasar por el lado derecho de la unidad interior, corte la sección extraíble de la cubierta angular ㉑.
  - ㉑

- ㉑ Rejilla frontal
- ㉒ Tornillo de fijación
- ㉓ Cubierta de la caja eléctrica
- ㉔ Tornillo de fijación
- ㉕ Cubierta angular
- ㉖ Placa de conducción
- ㉗ Cubierta de conducción
- ㉘ Tornillo de fijación
- ㉙ Tornillo de fijación
- ㉚ Cable del mando a distancia
- ㉛ Cable de conexión interior-exterior
- ㉜ Cable a tierra
- ㉝ Tuerca de bloqueo
- ㉞ Junta de conducción
- ㉟ Tubería de conducción
- ㊱ Parte de conexión del cable a tierra
- ㊲ Bloque de terminales del controlador remoto MA: (1, 2) sin polaridad
- ㊳ Bloque de terminales para la conexión de las unidades interiores y exteriores: S1, S2 y S3 tienen polaridad
- ㊴ Gancho

#### ⚠ Cuidado:

Los cables del mando a distancia deberán situarse alejados (5 cm, 1-31/32 pulgada o más) de los cables de alimentación, de modo que no se vean afectados por el ruido eléctrico generado por los cables de alimentación.

#### Al pasar por el lado derecho

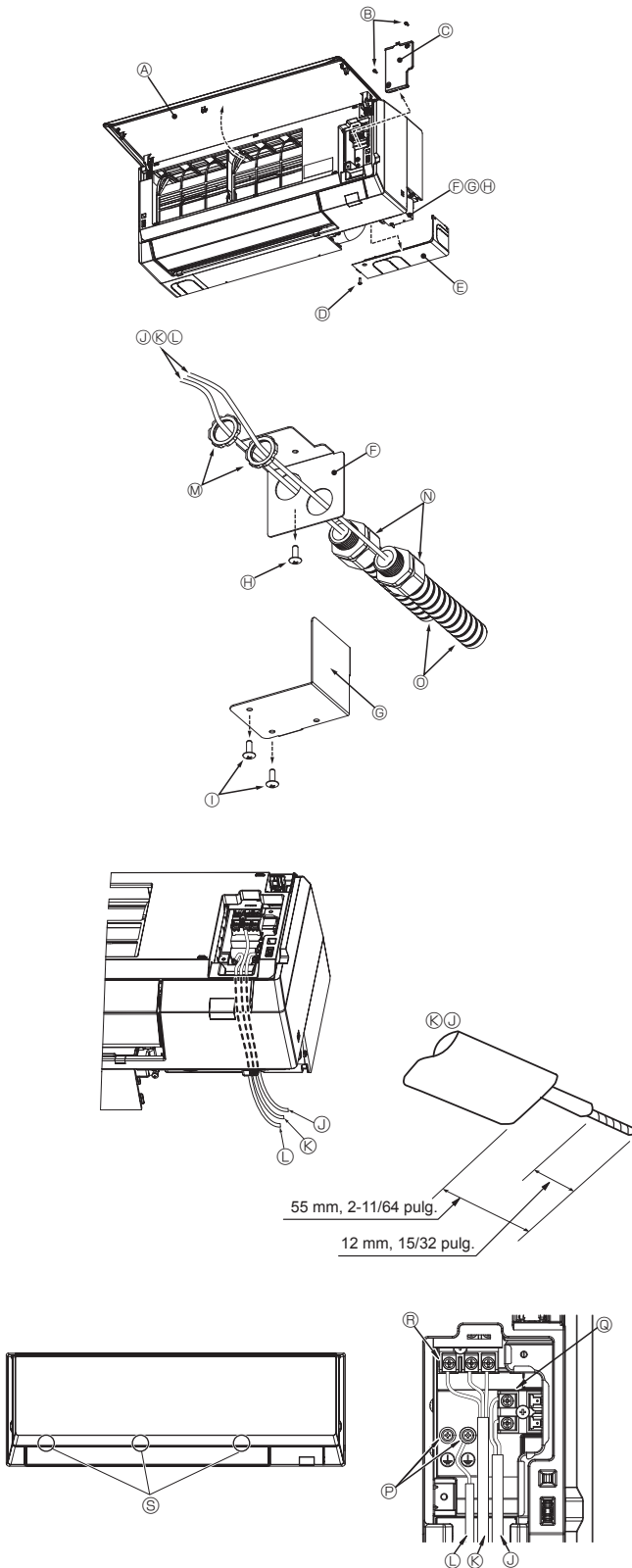
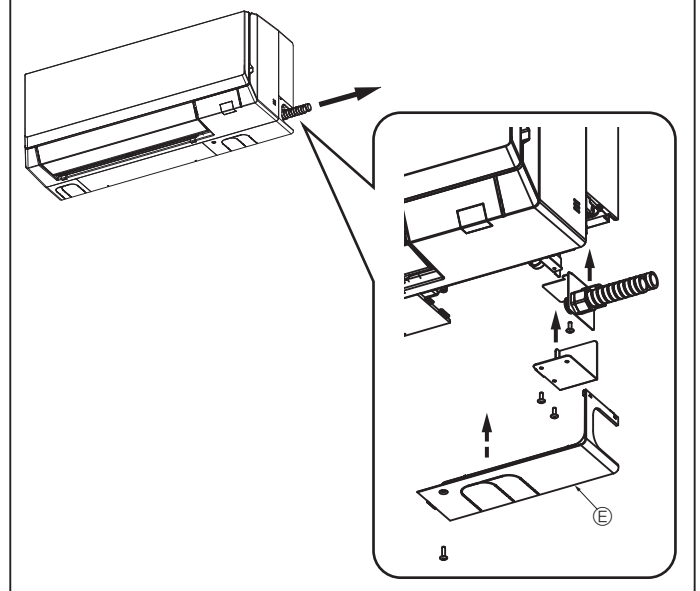


Fig. 6-1

<Cuando se conectan dos cables de conexión interior-exterior>

- Si los cables tienen el mismo diámetro, insérteles en las aberturas de ambos lados.
- Si los cables tienen diámetros diferentes, insérteles en un lado en espacios separados con un cable situado encima del otro.

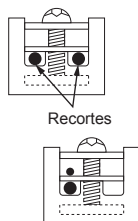
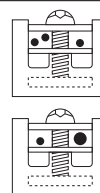


Fig. 6-2

#### ⚠ ATENCIÓN



- Está prohibido conectar dos cables en un lado.
- Está prohibido conectar tres o más cables al mismo terminal.
- Está prohibido conectar cables de diámetros diferentes.

Si utiliza un solo cable, queda prohibido utilizar un terminal engarzado redondo u otro tipo de terminal.

Fig. 6-3

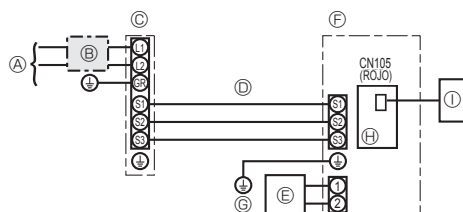
## 6. Trabajo eléctrico

### 6.1.1. Alimentación de la unidad interior suministrada por la unidad exterior

Están disponibles los siguientes patrones de conexión.

Los patrones de la fuente de alimentación de la unidad exterior varían en función del modelo.

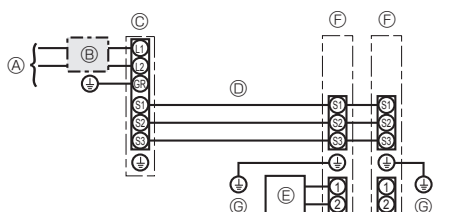
#### Sistema 1:1



- Ⓐ Alimentación de la unidad exterior
  - Ⓑ Disyuntor de cableado o interruptor aislante
  - Ⓒ Unidad exterior
  - Ⓓ Cables de conexión de la unidad interior/ unidad exterior
  - Ⓔ Controlador remoto cableado
  - Ⓕ Unidad interior
  - Ⓖ Cable a tierra de la unidad interior
  - Ⓗ Placa del controlador interior
  - Ⓘ Interfaz de radiofrecuencia para el termostato de radiofrecuencia
- Solo para Sistema 1:1

\* Coloque una de las etiquetas A incluidas con los manuales cerca de cada esquema de cableado de las unidades interiores y exterior.

#### Sistema doble simultáneo



#### ■ Sólo para el controlador remoto cableado.

- Ⓐ Alimentación de la unidad exterior
- Ⓑ Disyuntor de cableado o interruptor aislante
- Ⓒ Unidad exterior
- Ⓓ Cables de conexión de la unidad interior/ unidad exterior
- Ⓔ Controlador remoto cableado
- Ⓕ Unidad interior
- Ⓖ Cable a tierra de la unidad interior

\* Coloque una de las etiquetas A incluidas con los manuales cerca de cada esquema de cableado de las unidades interiores y exterior.

Modelo de la unidad interior	Serie PKA-A-LA		
Amperaje mínimo del circuito	1 A		
Capacidad máxima del dispositivo de protección contra sobrecorriente	15 A		
Cableado Cable n° x tamaño	Unidad interior-unidad exterior	*1	3 × AWG14 (Polar)
	Cable a tierra de la unidad interior		1 × Mín. AWG14
	Controlador remoto cableado-Unidad interior	*2	2 × Mín. AWG22 (Sin polaridad, no blindado)
Rango del circuito	Unidad interior-unidad exterior S1-S2	*3	208/230 VCA
	Unidad interior-unidad exterior S2-S3	*3 *4	24 VCC / 28 VCC
	Controlador remoto cableado-Unidad interior	*3	12 VCC

\*1. <Para la aplicación en la unidad exterior 12-36>

Máx. 45 m, 148 pies

Si se utiliza cable de AWG13 (2,5 mm<sup>2</sup>), máx. 50 m, 165 pies

Si se utiliza cable de AWG13 (2,5 mm<sup>2</sup>) y S3 por separado, máx. 80 m, 263 pies

\*2. Máx. 500 m, 1640 pies

(Si se utilizan 2 mandos a distancia, la longitud máxima del cableado para los cables del mando a distancia es de 200 m, 656 pies).

\*3. Los valores NO siempre se aplican a la toma a tierra.

El terminal S3 dispone de 24 VCC / 28 VCC frente al terminal S2. Sin embargo, entre S3 y S1, estos terminales no están aislados eléctricamente por el transformador u otro dispositivo.

\*4. Depende de la unidad exterior.

- Notas:**
1. El diámetro de los cables debe cumplir la normativa local y nacional.
  2. Los cables de alimentación y los que conectan la unidad interior y la exterior deben tener una resistencia mínima equiparable a los cables flexibles revestidos de policloropreno. (Diseño 60245 IEC 57)
  3. Utilice cables de cobre.
  4. Utilice cables con un régimen nominal de 300 V o superior para los cables de la fuente de alimentación y los cables de conexión de las unidades interior/exterior.
  5. Instale un cable de toma de tierra más largo que el resto de los cables.
  6. Los cables de conexión de las unidades interior y exterior tienen distintas polaridades. Para realizar unos cableados correctos, compruebe que coincida el número de terminal (S1, S2, S3).

## 6. Trabajo eléctrico

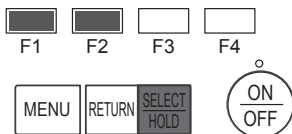
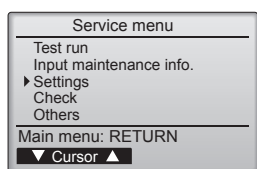


Fig. 6-4

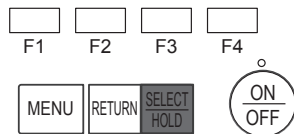
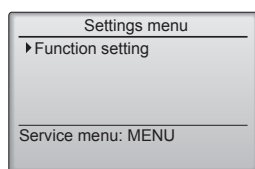


Fig. 6-5

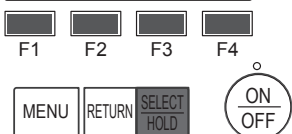
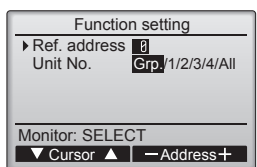


Fig. 6-6

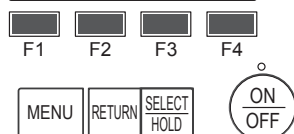
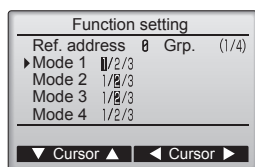


Fig. 6-7

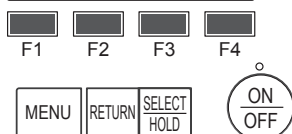
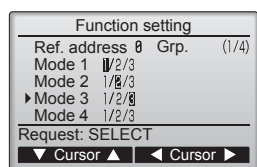


Fig. 6-8

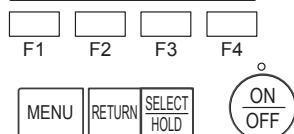
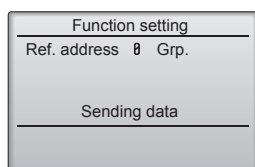


Fig. 6-9

### 6.2. Ajuste de funciones

#### 6.2.1. Por medio del mando a distancia con cable

- ① (Fig. 6-4)
    - Seleccione "Service" (Revisión) desde el Menú principal, y pulse el botón [SELECT/HOLD].
    - Seleccione "Settings" (Ajustes) desde el menú Servicio, y pulse el botón [SELECT/HOLD].
  - ② (Fig. 6-5)
    - Seleccione "Function settings" (Configuración de funciones) con el botón [SELECT/HOLD].
  - ③ (Fig. 6-6)
    - Establezca las direcciones del refrigerante de la unidad interior y los números de unidad con los botones [F1] a [F4] y luego pulse el botón [SELECT/HOLD] para confirmar el ajuste actual.
- <Comprobar la Unidad interior nº>**  
 Cuando se pulse el botón [SELECT/HOLD], empezará a funcionar el ventilador de la unidad interior. Si la unidad es común o si están funcionando todas las unidades, empezará a funcionar el ventilador de todas las unidades interiores para la dirección de refrigerante seleccionada.
- ④ (Fig. 6-7)
    - Una vez completada la recopilación de datos de las unidades interiores, aparecen resaltados los ajustes actuales. Los elementos sin resaltar indican que no se ha realizado ninguna configuración de funciones. El aspecto de la pantalla varía en función de la configuración de "Nº Unid".
  - ⑤ (Fig. 6-8)
    - Utilice el botón [F1] o [F2] para mover el cursor y seleccionar el número de modo, y cambie el número de ajuste con el botón [F3] o [F4].
  - ⑥ (Fig. 6-9)
    - Una vez completados los ajustes, pulse el botón [SELECT/HOLD] para enviar los datos de configuración del controlador remoto a las unidades interiores.
    - Una vez completada la transmisión, se volverá a la pantalla Configuración de funciones.

#### Tabla de funciones

Seleccione el número de unidad "Grp."

Modo	Ajustes	Núm. de modo	Núm. de ajuste	Configuración inicial	Ajuste
Recuperación automática de fallo de alimentación	No disponible	01	1		
	Disponible *1		2	○ *2	
Detección de la temperatura de la sala	Media de funcionamiento de la unidad interior	02	1	○	
	Ajustada por el control remoto de la unidad interior		2		
	Sensor interno del control remoto		3		
Conectividad LOSSNAY	No soportada	03	1	○	
	Soportada (la unidad interior no está equipada con entrada de aire del exterior)		2		
	Soportada (la unidad interior está equipada con entrada de aire del exterior)		3		
Voltaje de alimentación	230 V	04	1	○	
	208 V		2		

Seleccione los números de unidad de 1 a 4 u "All"

Modo	Ajustes	Núm. de modo	Núm. de ajuste	Configuración inicial	Ajuste
Señalización de filtro	100 horas	07	1	○	
	2500 horas		2		
	Sin indicador de señalización del filtro		3		
Velocidad del ventilador	Silencioso	08	1		
	Normal		2		
	Techo alto		3	○	
Velocidad del ventilador mientras el termostato de refrigeración está desactivado	Ajustar la velocidad del ventilador	27	1	○	
	Parada		2		
	Extra baja		3		

\*1 Cuando la corriente eléctrica vuelva a estar disponible, el aire acondicionado tardará 3 minutos en encenderse.

\*2 El ajuste inicial de recuperación automática de fallo de alimentación depende de la unidad exterior conectada.

## 7. Prueba de funcionamiento

### 7.1. Antes de realizar las pruebas

- ▶ Después de la instalación de tubos y cables en las unidades interior y exterior, compruebe que no haya escapes de refrigerante, que no se haya aflojado ni la fuente de alimentación ni el cableado de control, que la polaridad no sea errónea y que no se haya desconectado ninguna fase de la alimentación.
- ▶ Utilice un megaohmímetro de 500 V para comprobar que la resistencia entre los bornes de alimentación y la tierra es como mínimo de 1,0 MΩ.

▶ No efectúe esta prueba en los bornes de los cables de control (circuito de bajo voltaje).

#### ⚠ Atención:

**No utilice el aire acondicionado si la resistencia de aislamiento es inferior a 1,0 MΩ.**

### 7.2. Prueba de funcionamiento

#### 7.2.1. Al usar el controlador remoto cableado

- Lea siempre el manual de instrucciones antes de realizar la prueba. (Especialmente los elementos para garantizar la seguridad)

##### Paso 1 Active el equipo.

- Controlador remoto: el sistema entra en el modo de inicio, y parpadean el indicador luminoso de alimentación del controlador remoto (verde) y el mensaje "Please Wait" (ESPERE, POR FAVOR). Mientras el indicador y el mensaje están parpadeando, no puede utilizarse el controlador remoto. Espere a que no se visualice "Please Wait" (ESPERE, POR FAVOR) antes de utilizar el controlador remoto. Una vez activado el equipo, se visualizará "Please Wait" (ESPERE, POR FAVOR) en pantalla durante unos 3 minutos.
- Cuadro del controlador interior: el LED 1 estará iluminado, el LED 2 estará iluminado (si la codificación es 0) o apagado (si la codificación no es 0), y el LED 3 parpadeará.
- Cuadro del controlador exterior: el LED 1 (verde) y el LED 2 (rojo) estarán iluminados. (Una vez finalizado el modo de inicio del sistema, el LED 2 se apagará). Si el cuadro del controlador exterior utiliza una pantalla digital, se visualizará alternativamente [- ] y [ - ] cada segundo. Si las operaciones no funcionan correctamente después de realizar los procedimientos del paso 2 y posteriores, deben considerarse las siguientes causas y solucionarse si están presentes.  
(Los síntomas descritos a continuación aparecen durante el modo de prueba. La mención de "Startup" (Inicio) en la tabla se refiere a la pantalla de LEDs mencionada anteriormente).

Síntomas en el modo de prueba		Causa
Pantalla del controlador remoto	Pantalla de LEDs DEL CUADRO EXTERIOR < > indica pantalla digital.	
El controlador remoto muestra "Please Wait" (ESPERE, POR FAVOR) y no puede utilizarse.	Después de visualizarse "startup" (inicio), solo se ilumina el indicador verde. <00>	• Una vez activado el equipo, se visualiza "Please Wait" (ESPERE, POR FAVOR) durante 3 minutos mientras se inicia el sistema. (Normal)
Una vez activado el equipo, se visualiza "Please Wait" (ESPERE, POR FAVOR) durante 3 minutos y luego se visualiza un código de error.	Después de visualizarse "startup" (inicio), parpadean alternativamente los indicadores verde (una vez) y rojo (una vez). <F1>	• Conexión incorrecta del bloque de terminales exteriores (L1, L2, GR y S1, S2, S3).
	Después de visualizarse "startup" (inicio), parpadean alternativamente los indicadores verde (una vez) y rojo (dos veces). <F3, F5, F9>	• El conector del dispositivo de protección de la unidad exterior está abierto.
No se visualiza nada, aunque se haya activado el interruptor de funcionamiento del controlador remoto. (La luz de funcionamiento no se ilumina).	Después de visualizarse "startup" (inicio), parpadean alternativamente los indicadores verde (dos veces) y rojo (una vez). <EA, Eb>	• Cableado incorrecto entre la unidad interior y la exterior (polaridad incorrecta para S1, S2, S3.) • El cable de transmisión del controlador remoto es corto.
	Después de visualizarse "startup" (inicio), solo se ilumina el indicador verde. <00>	• No existe ninguna unidad exterior con codificación 0. (La codificación es distinta a 0). • El cable de transmisión del controlador remoto está abierto.
La pantalla se activa pero se desactiva enseguida, aunque se utilice el controlador remoto.	Después de visualizarse "startup" (inicio), solo se ilumina el indicador verde. <00>	• Después de cancelar la selección de funciones, no podrá utilizarse el equipo durante unos 30 segundos. (Normal)

##### Paso 2 Seleccione "Test run" (Modo prueba) desde el controlador remoto.

- 1 Seleccione "Test run" (Modo prueba) desde el Menú principal, y pulse el botón [SELECT/HOLD]. (Fig. 7-1)
- 2 Seleccione "Test run" (Modo prueba) desde el menú Modo prueba, y pulse el botón [SELECT/HOLD]. (Fig. 7-2)
- 3 Se inicia la prueba, y se visualiza la pantalla Modo prueba.

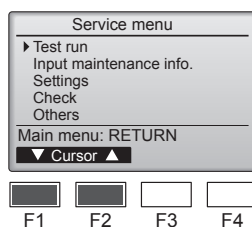


Fig. 7-1

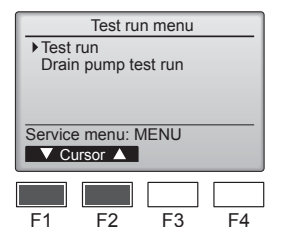


Fig. 7-2

##### Paso 3 Realice la prueba y compruebe la temperatura del flujo de aire y el sistema automático de desviación del aire.

- 1 Pulse el botón [F1] para cambiar el modo de funcionamiento. (Fig. 7-3)  
Modo de refrigeración: compruebe si sale aire frío de la unidad.  
Modo de calefacción: compruebe si sale aire caliente de la unidad.
- 2 Pulse el botón [SELECT/HOLD] para visualizar la pantalla de funcionamiento Lama, y luego pulse los botones [F1] y [F2] para comprobar el sistema automático de desviación del aire. (Fig. 7-4)  
Pulse el botón [RETURN] para volver a la pantalla Modo prueba.

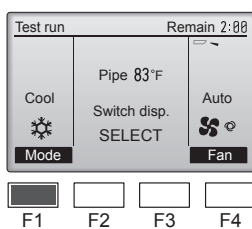


Fig. 7-3

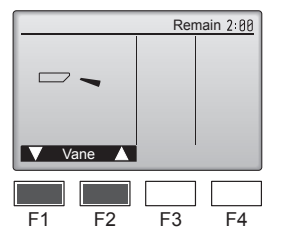


Fig. 7-4

## 7. Prueba de funcionamiento

### Paso 4 Confirme el funcionamiento del ventilador de la unidad exterior.

La velocidad del ventilador de la unidad exterior se controla para vigilar el rendimiento de la unidad. Dependiendo del aire del entorno, el ventilador girará a velocidad lenta y seguirá girando a dicha velocidad a menos que el rendimiento sea insuficiente. Por lo tanto, el viento exterior puede provocar que el ventilador deje de girar o que gire en dirección contraria, pero esto no indica un problema.

### Paso 5 Detenga la prueba.

① Pulse el botón [ON/OFF] para detener la prueba. (Aparecerá el menú Modo prueba).

Nota: si se visualiza un error en el controlador remoto, consulte la tabla siguiente.

LCD	Descripción del funcionamiento defectuoso	LCD	Descripción del funcionamiento defectuoso	LCD	Descripción del funcionamiento defectuoso
P1	Error del sensor de admisión	P9	Error del sensor del tubo (tubo de pared doble)	E0 – E5	Error de comunicación entre el controlador remoto y la unidad interior
P2	Error del sensor del tubo (tubo del líquido)	PA	Error de fuga (sistema de refrigerante)		
P4	Conector de conmutación del flotador de drenaje desconectado (CN4F)	Pb	Error en el motor del ventilador de la unidad interior		
P5	Funcionamiento de la protección contra desbordamiento de drenaje	PL	Circuito de refrigeración anómalo	E6 – EF	Error de comunicación entre la unidad interior y la exterior
P6	Funcionamiento de la protección contra congelación/sobrecalentamiento	FB	Error del cuadro del controlador interior		
P8	Error de temperatura del tubo	U*, F*	Funcionamiento anómalo de la unidad exterior. (* indica un carácter alfanumérico excepto FB). Consulte el diagrama de cableado para la unidad exterior.		

Consulte en la tabla siguiente los detalles de la pantalla de LEDs (LED 1, 2 y 3) en el cuadro del controlador interior.

LED 1 (alimentación del microordenador)	Indica si se suministra alimentación de control. Compruebe que este LED esté siempre iluminado.
LED 2 (alimentación del controlador remoto)	Indica si el controlador remoto cableado recibe alimentación. El LED solo se ilumina para la unidad interior conectada a la unidad exterior con una codificación 0.
LED 3 (comunicación entre la unidad interior/exterior)	Indica si las unidades interior y exterior se comunican entre sí. Compruebe que este LED esté siempre parpadeando.

### 7.2.2. Utilizar el controlador remoto inalámbrico

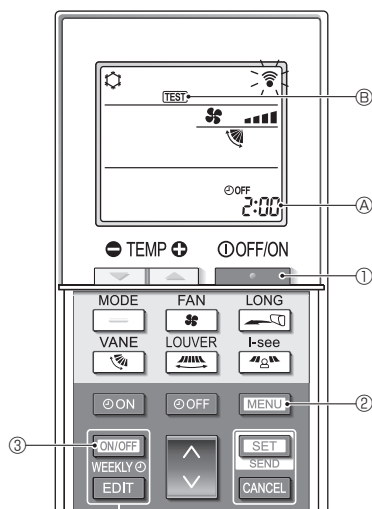


Fig. 7-5

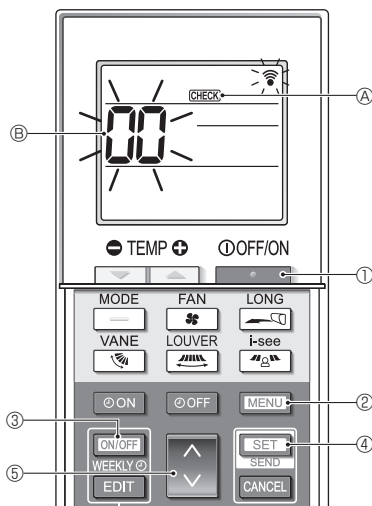


Fig. 7-6

#### ■ Prueba de funcionamiento (Fig. 7-5)

- Pulse el botón **[ON/OFF]** ① para detener el acondicionador de aire.
  - Si el temporizador semanal está activado (se muestra **WEEKLY**), pulse el botón **[ON/OFF WEEKLY]** ③ para desactivarlo (no se muestra **WEEKLY**).
- Pulse el botón **[MENU]** ② durante 5 segundos.
  - Se muestra **CHECK** y la unidad entra en el modo de servicio.
- Pulse el botón **[MENU]** ②.
  - Se muestra **TEST** ⑥ y la unidad entra en el modo de prueba de funcionamiento.
- Pulse los siguientes botones para iniciar la prueba de funcionamiento.
  - [MODE]**: Cambie el modo de funcionamiento entre refrigeración y calefacción e inicie la prueba de funcionamiento.
  - [FAN]**: Cambie la velocidad del ventilador e inicie la prueba de funcionamiento.
  - [VANE]**: Cambie la dirección del flujo de aire e inicie la prueba de funcionamiento.
  - [LONG]**: Cambie la rejilla e inicie la prueba de funcionamiento.
  - [SET]**: Inicie la prueba de funcionamiento.
- Detenga la prueba de funcionamiento.
  - Pulse el botón **[ON/OFF]** ① para detener la prueba de funcionamiento.
  - Al cabo de 2 horas, se transmite la señal de parada.

#### ■ Autocomprobación (Fig. 7-6)

- Pulse el botón **[ON/OFF]** ① para detener el acondicionador de aire.
  - Si el temporizador semanal está activado (se muestra **WEEKLY**), pulse el botón **[ON/OFF WEEKLY]** ③ para desactivarlo (no se muestra **WEEKLY**).
- Pulse el botón **[MENU]** ② durante 5 segundos.
  - Se muestra **CHECK** ④ y la unidad entra en el modo de autocomprobación.
- Pulse el botón **[MODE]** ⑤ para seleccionar la dirección del refrigerante (dirección M-NET) ⑥ de la unidad interior para la que desea realizar la autocomprobación.
- Pulse el botón **[SET]** ④.
  - Si se detecta un error, el código de verificación se indica mediante el número de pitidos de la unidad interior y el número de parpadeos de la luz de INDICACIÓN DE FUNCIONAMIENTO.
- Pulse el botón **[ON/OFF]** ①.
  - CHECK** ④ y la dirección del refrigerante (dirección M-NET) ⑥ se apagan y se completa la autocomprobación.

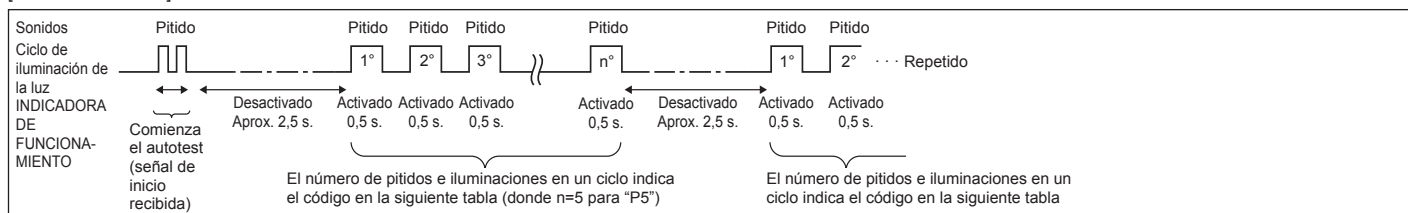
## 7. Prueba de funcionamiento

### 7.3. Autotest

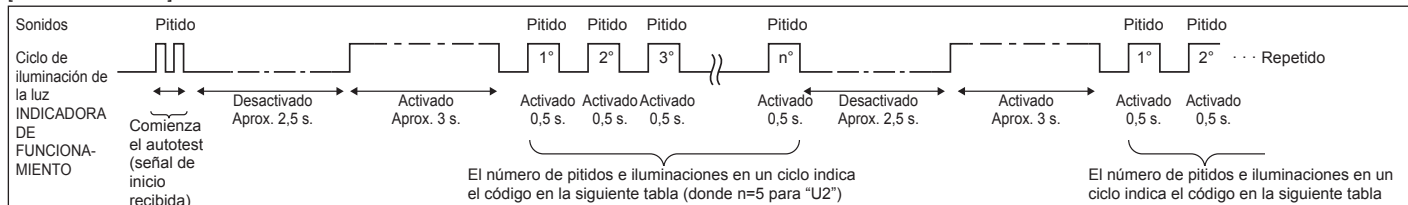
■ Consulte el manual de instalación suministrado con cada controlador remoto para obtener más información.

• Para más información sobre los códigos de comprobación, consulte las siguientes tablas. (Controlador remoto inalámbrico)

[Ciclo de emisión A]



[Ciclo de emisión B]



[Ciclo de emisión A] Errores detectados por la unidad interior

Controlador remoto inalámbrico	Controlador remoto cableado	Síntoma	Observaciones
Pitido/se ilumina la luz INDICADORA DE FUNCIONAMIENTO (número de veces)	Código de comprobación		
1	P1	Error del sensor de admisión	
2	P2	Error del sensor del tubo (TH2)	
	P9	Error del sensor del tubo (TH5)	
3	E6, E7	Error de comunicación con unidad interior/exterior	
4	P4	Error del sensor de drenaje/Conector del interruptor de flotador abierto	
5	P5	Error de la bomba de drenaje	
	PA	Error del compresor forzado	
6	P6	Funcionamiento de seguridad por helada/sobrecalentamiento	
7	EE	Error de comunicación entre unidades interior y exterior	
8	P8	Error de temperatura del tubo	
9	E4	Error de recepción de señal del controlador remoto	
10	—	—	
11	Pb	Error en el motor del ventilador de la unidad interior	
12	Fb	Error del sistema de control de la unidad interior (error de memoria, etc.)	
14	PL	Circuito de refrigeración anómalo	
Sin sonido	E0, E3	Error de transmisión del controlador remoto	
Sin sonido	E1, E2	Error del panel de control del controlador remoto	
Sin sonido	— — — —	No corresponde	

\*1 Si tras los 2 pitidos iniciales que confirman la recepción de la señal de inicio del autotest no hay más pitidos y la luz INDICADORA DE FUNCIONAMIENTO no se enciende, no habrá errores registrados.

\*2 Si suenan 3 pitidos consecutivos "piip, piip, piip (0,4 + 0,4 + 0,4 segundos)" tras los 2 pitidos iniciales que confirman la recepción de la señal de inicio del autotest, la dirección de refrigerante especificada no es correcta.

• Controlador remoto inalámbrico

Se oye un pitido continuo desde la sección receptora de la unidad interior.

La luz de funcionamiento parpadea

• Controlador remoto cableado

Compruebe el código que aparece en la LCD.

## 7. Prueba de funcionamiento

[Ciclo de emisión B] Errores detectados por una unidad distinta de la unidad interior (unidad exterior, etc.)

Controlador remoto inalámbrico	Controlador remoto cableado	Síntoma	Observaciones
Pitido/se ilumina la luz INDICADORA DE FUNCIONAMIENTO (número de veces)	Código de comprobación		
1	E9	Error de comunicación de la unidad interior/exterior (error de transmisión) (unidad exterior)	Para información detallada, compruebe la pantalla de LEDs del cuadro del controlador exterior.
2	UP	Interrupción del compresor por sobrecorriente	
3	U3, U4	Apertura/corte de termistores de la unidad exterior	
4	UF	Interrupción por sobrecorriente del compresor (si el compresor está bloqueado)	
5	U2	Temperatura de descarga anormalmente alta/49°C funcionó/refrigerante insuficiente	
6	U1, Ud	Presión anormalmente alta (63H funcionó)/Funcionamiento de seguridad por sobrecalentamiento	
7	U5	Temperatura anormal del cuerpo de refrigeración	
8	U8	Parada de seguridad del ventilador de la unidad exterior	
9	U6	Interrupción del compresor por sobrecorriente/Anomalía en el módulo de alimentación	
10	U7	Anomalía de sobrecalentamiento debido a una baja temperatura de descarga	
11	U9, UH	Anomalía (tensión demasiado alta o baja, señal asincrónica anormal al circuito principal)/Error del sensor de corriente	
12	—	—	
13	—	—	
14	Otros	Otros errores (consulte el manual técnico de la unidad exterior).	

\*1 Si tras los 2 pitidos iniciales que confirman la recepción de la señal de inicio del autotest no hay más pitidos y la luz INDICADORA DE FUNCIONAMIENTO no se enciende, no habrá errores registrados.

\*2 Si suenan 3 pitidos consecutivos "piip, piip, piip (0,4 + 0,4 + 0,4 segundos)" tras los 2 pitidos iniciales que confirman la recepción de la señal de inicio del autotest, la dirección de refrigerante especificada no es correcta.

- Controlador remoto inalámbrico  
Se oye un pitido continuo desde la sección receptora de la unidad interior.  
La luz de funcionamiento parpadea
- Controlador remoto cableado  
Compruebe el código que aparece en la LCD.

• Si no se puede activar la unidad adecuadamente después de haberse llevado a cabo la ejecución de prueba, consulte la tabla siguiente para suprimir la causa.

Síntoma		Causa
Controlador remoto cableado	LED 1, 2 (tarjeta de circuito impreso en unidad exterior)	
Please Wait	Durante aproximadamente 3 minutos después del encendido.	Se iluminan los LED 1 y 2 y, a continuación, el LED 2 se apaga y sólo queda encendido el LED 1. (Funcionamiento correcto)
Please Wait → Código de error	Aproximadamente 3 minutos después de haber finalizado el encendido.	Sólo se ilumina el LED 1. → Los LED 1 y 2 parpadean.
NO aparecen mensajes en pantalla aunque se active el interruptor de funcionamiento (la luz de funcionamiento no se enciende).	Sólo se ilumina LED 1. → El LED 1 parpadea dos veces y el LED 2 una.	<ul style="list-style-type: none"> <li>Durante aproximadamente 3 minutos después del encendido, no se puede utilizar el control remoto debido al proceso de calentamiento del equipo. (Funcionamiento correcto)</li> <li>El conector del dispositivo de protección de la unidad exterior no está conectado. Cableado de fase abierta o invertida del bloque de terminales de alimentación de la unidad exterior (L1, L2, GR).</li> <li>Cableado incorrecto entre las unidades interior y exterior (polaridad incorrecta de S1, S2, S3).</li> <li>El cable del controlador remoto es corto</li> </ul>

Si sucede lo que se ha indicado anteriormente:

- No se acepta ninguna señal procedente del controlador remoto.
- La luz FUNCIONAMIENTO parpadea.
- Se emite un pitido breve.

**Nota:**  
**No se puede utilizar durante aproximadamente 30 segundos después de cancelar la selección de funciones. (Funcionamiento correcto)**

Para la descripción de cada uno de los LED (LED 1, 2, 3) de los controladores interiores, consulte la página 13.

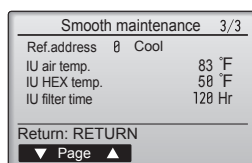
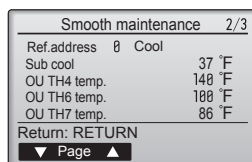
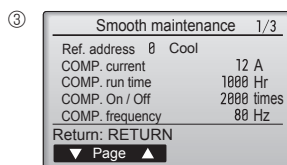
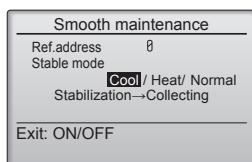
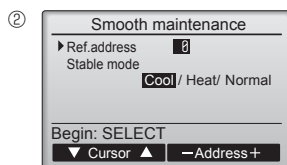
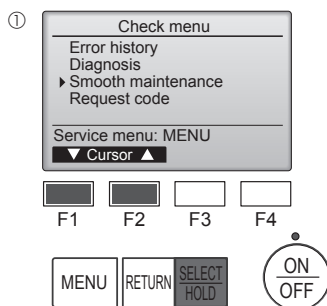


## 8. Función de mantenimiento fácil

Los datos de mantenimiento, como la temperatura del intercambiador de calor de la unidad interior/exterior y la corriente de funcionamiento del compresor, pueden visualizarse mediante el "Smooth maintenance" (mantenimiento suave).

\* No puede ejecutarse durante la prueba de funcionamiento.

\* Según la combinación con la unidad exterior, esta función puede no ser compatible con algunos modelos.



- Seleccione "Service" (Revisión) desde el Main menu (Menú principal), y pulse el botón [SELECT/HOLD].
- Seleccione "Check" (Comprobación) con el botón [F1] o [F2], y pulse el botón [SELECT/HOLD].
- Seleccione "Smooth maintenance" (mantenimiento suave) con el botón [F1] o [F2], y pulse el botón [SELECT/HOLD].

### Seleccione cada uno de los elementos

- Seleccione el elemento que desea cambiar con el botón [F1] o [F2].
- Seleccione el ajuste correspondiente con el botón [F3] o [F4].  
 Ajuste "Ref. address" (Codificación) ..... "0" - "15"  
 Ajuste "Stable mode" (Modo estable) ..... "Cool" (Frío) / "Heat" (Calor) / "Normal"
- Pulse el botón [SELECT/HOLD], con lo que se iniciará el funcionamiento fijo.
- \* Stable mode (Modo estable) se prolongará durante unos 20 minutos.

Aparecerán los datos de funcionamiento.

El tiempo de funcionamiento acumulado del compresor ("COMP. run" (Func. COMP.)) se expresa en unidades de 10 horas, y el número de veces que se ha puesto en funcionamiento el compresor ("COMP. On/Off" (COMP. encendido/apagado)) se expresa en unidades de 100 veces (se omiten las fracciones)

### Navegación por las pantallas

- Para volver al menú Servicio ..... Botón [MENU]
- Para volver a la pantalla anterior ..... Botón [RETURN]





---

This product is designed and intended for use in the residential,  
commercial and light-industrial environment.

Please be sure to put the contact address/telephone number on  
this manual before handing it to the customer.

**mitsubishi** **ELECTRIC CORPORATION**

HEAD OFFICE: TOKYO BUILDING, 2-7-3, MARUNOUCHI, CHIYODA-KU, TOKYO 100-8310, JAPAN