

MXZ-3C30NA2
MULTI-ZONE INVERTER HEAT-PUMP SYSTEM



Job Name:

System Reference:

Date:



FEATURES

- Variable speed INVERTER-driven compressor
- Optional base pan heater
- Quiet outdoor unit operation as low as 56 dB(A)
- High pressure protection
- Compressor thermal protection
- Compressor overcurrent detection
- Fan motor overheating/voltage protection

SPECIFICATIONS: MXZ-3C30NA2

(For data on specific indoor units, see the MXZ-C Technical and Service Manual.)

Cooling* (Non-ducted / Ducted)	Rated Capacity	Btu/h	28,400 / 27,400
	Capacity Range	Btu/h	9,500 - 28,400 / 9,500 - 27,400
	Rated Total Input	W	2,680 / 2,860
Heating at 47°F* (Non-ducted / Ducted)	Rated Capacity	Btu/h	28,600 / 27,600
	Capacity Range	Btu/h	15,500 - 36,000 / 15,500 - 35,000
	Rated Total Input	W	2,150 / 2,220
Heating at 17°F* (Non-ducted/Ducted)	Rated Capacity	Btu/h	16,000 / 15,100
	Rated Total Input	W	2,120 / 2,140
Connectable Capacity		Btu/h	12,000 - 36,000
Electrical Requirements	Power Supply	Voltage, Phase, Hertz	208 / 230V, 1-Phase, 60 Hz
	Recommended Fuse/Breaker Size	A	25
	MCA	A	22.1
Voltage	Indoor - Outdoor S1-S2	V	AC 208 / 230
	Indoor - Outdoor S2-S3	V	DC ±24
Compressor		INVERTER-driven Scroll Hermetic	
Fan Motor (ECM)		F.L.A.	2.43
Sound Pressure Level	Cooling	dB(A)	52
	Heating	dB(A)	56
External Dimensions (H x W x D)		In mm	31-11/32 x 37-13/32 x 13 (796 x 950 x 330)
Net Weight		Lbs / kg	137 (62)
External Finish		Munsell No. 3Y 7.8/11	
Refrigerant Pipe Size O.D.	Liquid (High Pressure)	In / mm	1/4 (12.7)
	Gas (Low Pressure)	In / mm	A: 1/2 (6.35) ; B.C: 3/8 (9.52)
Max. Refrigerant Line Length		Ft / m	230 (70)
Max. Piping Length for Each Indoor Unit		Ft / m	82 (25)
Max. Refrigerant Pipe Height Difference	If IDU is Above ODU	Ft / m	49 (15)
	If IDU is Below ODU	Ft / m	49 (15)
Connection Method		Flared/Flared	
Refrigerant		R410A	

* Rating Conditions per AHRI Standard:

Cooling | Indoor: 80° F (27° C) DB / 67° F (19° C) WB
Cooling | Outdoor: 95° F (35° C) DB / 75° F (24° C) WB

Heating at 47° F | Indoor: 70° F (21° C) DB
Heating at 47° F | Outdoor: 47° F (8° C) DB / 43° F (6° C) WB

Heating at 17° F | Indoor: 70° F (21° C) DB
Heating at 17° F | Outdoor: 17° F (-8° C) DB / 15° F (-9° C) WB

OPERATING RANGE:

	Outdoor
Cooling	14 to 115° F (-10 to 46° C) DB
Heating	5 to 65° F (-15 to 18° C) WB

ENERGY EFFICIENCIES:

Indoor Unit Type	SEER	EER	HSPF	COP @ 47°F	COP @ 17°F
Non-ducted (09+09+12)	19.0	10.6	10.6	3.90	2.77
Ducted and Non-ducted	17.6	10.1	10.1	3.77	2.78
Ducted (09+09+12)	16.2	9.6	9.6	3.64	2.78

NOTES:

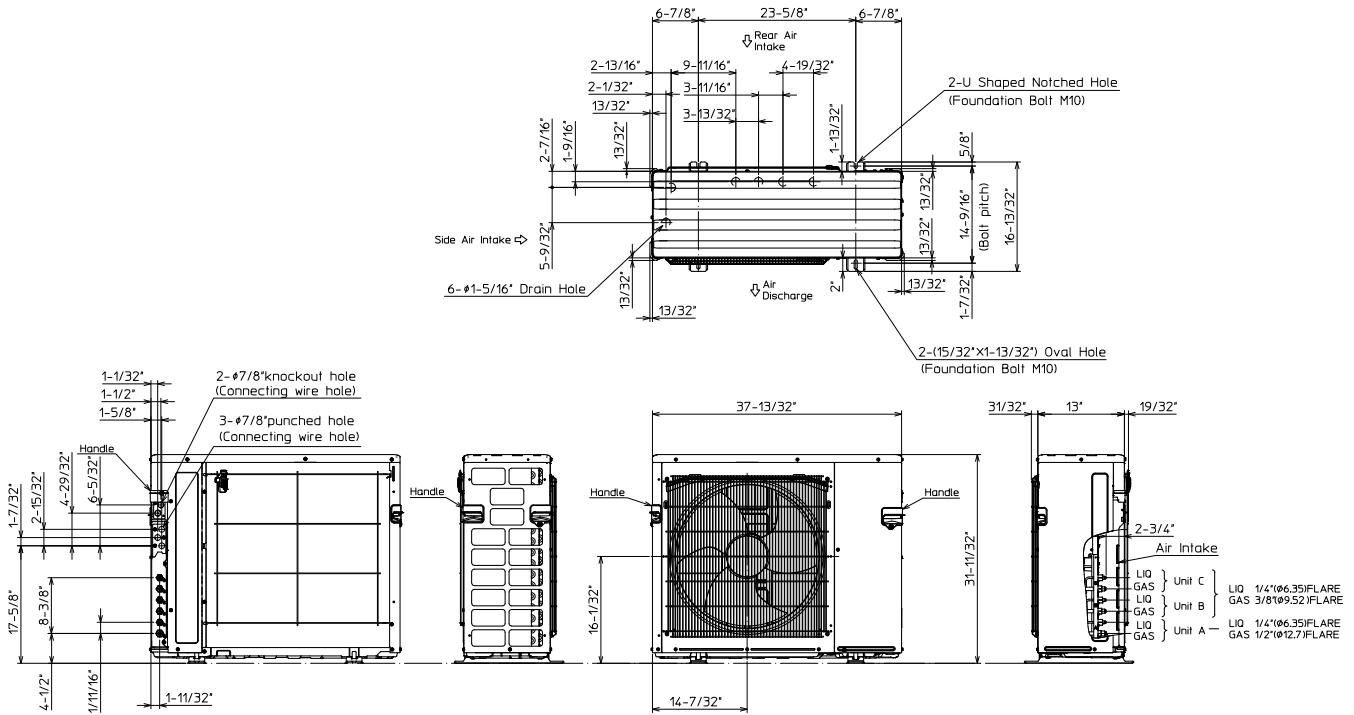
For actual capacity performance based on indoor unit type and number of indoor units connected, please refer to MXZ Operational Performance. Although the maximum connectable capacity can exceed rated, the outdoor unit cannot provide more than 100% of the rated capacity. Please utilize this over capacity capability for load shedding or applications where it is known that all connected units will NOT be operating at the same time.

OUTDOOR UNIT ACCESSORIES: MXZ-3C30NA2

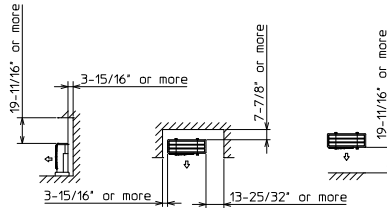
Air Outlet Guide	Air Outlet Guide (1 Piece)	PAC-SH96SG-E
Ball Valve	Refrigeration Ball Valve - 1/2"	BV12FFSI2
	Refrigeration Ball Valve - 1/4"	BV14FFSI2
	Refrigeration Ball Valve - 3/8"	BV38FFSI2
	Refrigeration Ball Valve - 5/8"	BV58FFSI2
Distribution pipe for Branch Box	M-NET Converter	PAC-IF01MNT-E
Drain Socket	Drain Socket	PAC-SG60DS-E
Hail Guards	Hail Guard	HG-A9
Mounting Pad	Condensing Unit Mounting Pad: 16" x 36" x 3"	ULTRILITE1
	Outdoor Unit 3-1/4 inch Mounting Base (Pair) - Plastic	DSD-400P
Optional Defrost Heater	Base Heater	PAC-645BH-E
Port Adapter	Adaptor: 1/2" x 3/8"	MAC-A455JP-E
	Adaptor: 1/2" x 5/8"	MAC-A456JP-E
	Adaptor: 3/8" x 1/2"	MAC-A454JP-E
	Adaptor: 3/8" x 5/8"	PAC-SG76RJ-E
Power Supplies and Auxiliary Components	M-Net Control Wire, 1,000' Roll (16-AWG, Standard, Twisted Pair, Shielded, Jacketed- Plenum rated)	CW162S-1000
Power Supplies And Auxiliary Components	M-Net Control Wire, 250' Roll (16-AWG, Standard, Twisted Pair, Shielded, Jacketed- Plenum rated)	CW162S-250
Stand	18" Single Fan Stand	QSMS1801M
	24" Single Fan Stand	QSMS2401M
	Condenser Wall Bracket	QSWB2000M-1
	Condenser Wall Bracket -Stainless Steel Finish	QSWBSS
	Outdoor Unit Stand — 12" High	QSMS1201M

OUTDOOR UNIT DIMENSIONS: MXZ-3C30NA2

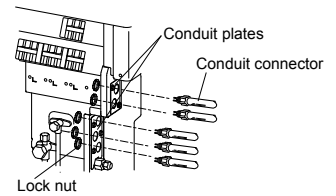
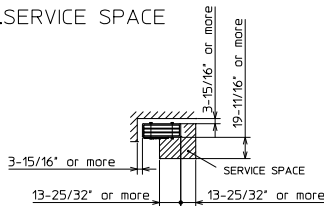
Unit: inch



1. FREE SPACE



2. SERVICE SPACE



1340 Satellite Boulevard Suwanee, GA 30024
Toll Free: 800-433-4822 www.mehvac.com