

SUBMITTAL DATA: MXZ-4B36NA MULTI-INDOOR INVERTER HEAT-PUMP SYSTEM

Job Name:	Location:	Date:
Purchaser:	Engineer:	
Submitted to:	For <input type="checkbox"/> Reference <input type="checkbox"/> Approval <input type="checkbox"/> Construction	
System Designation:	Schedule No.:	

GENERAL FEATURES

- Compact side discharge outdoor unit
- Wireless or wired remote controller, depending on the indoor units used
- Quiet operation—both indoor and outdoor units
- Automatic fan speed control
- Auto restart following power outage
- Self-check function—integrated diagnostics
- Advanced microprocessor control
- Limited warranty: five years on parts and defects and seven years on compressors



Outdoor Unit: MXZ-4B36NA

OPTIONAL OUTDOOR UNIT ACCESSORIES

- Air Outlet Guide (MAC-856SG)
- 3/8" x 1/2" Port Adapter (MAC-A454JP-E)
- 1/2" x 3/8" Port Adapter (MAC-A455JP-E)
- 1/2" x 5/8" Port Adapter (MAC-A456JP-E)
- 1/4" x 3/8" Port Adapter (PAC-493PI)
- 3/8" x 5/8" Port Adapter (PAC-SG76RJ-E)

Cooling*

Rated Capacity (Non-ducted/Ducted) . . . 35,400 Btu/h / 34,400 Btu/h
 Minimum Capacity (Non-ducted/Ducted) . . 12,600 Btu/h / 12,600 Btu/h
 Total Input (Non-ducted/Ducted) 3,760 W / 3,940 W

Heating at 47°F*

Rated Capacity (Non-ducted/Ducted) . . . 36,000 Btu/h / 34,400 Btu/h
 Minimum Capacity (Non-ducted/Ducted) . . 11,400 Btu/h / 11,400 Btu/h
 Total Input (Non-ducted/Ducted) 3,020 W / 3,100 W

Heating at 17°F*

Rated Capacity (Non-ducted/Ducted) . . 22,200 Btu/h / 20,300 Btu/h
 Total Input (Non-ducted/Ducted) 2,430 W / 2,340 W

* Rating Conditions (Cooling) - Indoor: 80°F (27°C) DB / 67°F (19°C) WB. Outdoor: 95°F (35°C) DB / 75°F (24°C) WB.
 (Heating) - Indoor: 70°F (21°C) DB / 60°F (16°C) WB. Outdoor: 47°F (8°C) DB / 43°F (6°C) WB.
 (Heating at 17°F) - Indoor: 70°F (21°C) DB / 60°F (16°C) WB. Outdoor: 17°F (-8°C) DB / 15°F (-9°C) WB.

(For data on specific indoor units [all ducted, all non-ducted, and both ducted and non-ducted] combinations, see the MXZ Technical and Service Manuals.)

Electrical Requirements

Power Supply 208 / 230V, 1-Phase, 60 Hz
 Recommended Fuse/Breaker Size 20 A
 MCA 19 A

Voltage

Indoor - Outdoor S1-S2 AC 208 / 230V
 Indoor - Outdoor S2-S3 DC 12 - 24V

OPERATING RANGE

		Indoor Intake Air Temp.		Outdoor Intake Air Temp.
Cooling	Maximum	95°F (35°C) DB, 71°F (22°C) WB	115°F (46°C) DB	
	Minimum	67°F (19°C) DB, 57°F (14°C) WB	14°F (-10°C) DB	
Heating	Maximum	80°F (27°C) DB, 67°F (19°C) WB	75°F (24°C) DB, 65°F (18°C) WB	
	Minimum	70°F (21°C) DB, 60°F (16°C) WB	6°F (-14°C) DB, 5°F (-15°C) WB	

Compressor DC Inverter-driven Twin Rotary
 Fan Motor 0.93 F.L.A.

Sound Pressure Level

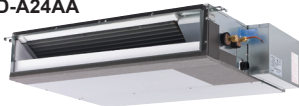
Cooling (Non-ducted/Ducted) 54 dB(A)
 Heating (Non-ducted/Ducted) 57 dB(A)

DIMENSIONS	INCHES / MM
W	35-7/16 / 900
D	12-5/8 / 321
H	35-7/16 / 900

Weight 153 lbs. / 69 kg
 External Finish Munsell No. 3Y 7.8 / 1.1
 Refrigerant Type R410A
 Refrigerant Pipe Size O.D. — Four Ports
 Gas Side A: 1/2 / 12.7mm; B,C,D: 3/8" / 9.52 mm
 Liquid Side 1/4" / 6.35 mm
 Max. Refrigerant Pipe Length 230' / 70 m
 Max. Piping Length for Each Indoor Unit 82' / 25 m
 Max. Refrigerant Pipe Height Difference
 If Indoor Unit is Above Outdoor Unit 49' / 15 m
 If Indoor Unit is Below Outdoor Unit 33' / 10 m
 Connection Method Flared

COMPATIBLE INDOOR UNITS

Horizontal-ducted Indoor Units: SEZ-KD09,12,15,18NA
 and PEAD-A24AA



Floor-standing Indoor Units:
 MFZ-KA09,12,18NA



Wall-mounted Indoor Units:
 MSZ-GE06,09,12,15,18NA,24NA



Wall-mounted Indoor Units: MSZ-FE09,12NA-8,18NA



Ceiling-suspended Indoor Units:
 PCA-A24KA



Ceiling-cassette Indoor Units:
 SLZ-KA09,12,15NA and PLA-A18,24BA


MXZ-4B36NA ENERGY EFFICIENCIES

Indoor Unit Type	SEER	EER	HSPF	COP @ 47°F	COP @ 17°F
Non-ducted (09 + 09 + 09 + 09)	18	9.4	9.3	3.5	2.68
Ducted and Non-ducted	16.5	9.1	9.2	3.38	2.61
Ducted (09 + 09 + 09 + 09)	15	8.7	9	3.25	2.54

Refer to the separate submittal forms for the SEZ, PEAD, MSZ, MFZ, PCA, SLZ, and PLA Indoor Units.



MXZ-4B36NA OPERATION PERFORMANCE

- Minimum of two Indoor Units must be connected to the MXZ-4B36NA.
- Minimum installed capacity cannot be less than 12,000 Btu/h.
- System can operate with only one Indoor Unit turned on (see table below for single Indoor Unit performance).
- Indoor Units can be All Non-ducted, All Ducted, or a Combination of Non-ducted and Ducted (Select style as installation requires).
- Information provided at 208/230V. Refer to the MXZ Outdoor Unit Service Manual for detailed specifications and additional information per Indoor Unit Combination.

Operation Performance for Indoor Unit Combinations (Unit A + Unit B + Unit C + Unit D)	Cooling Capacity Range (Btu/h)					Power Usage Range (W)
	Heating Capacity Range (Btu/h)					
	Unit A	Unit B	Unit C	Unit D	Total Range	
6	6,500	-	-	-	5,200 - 6,500	460 - 580
	7,800	-	-	-	6,800 - 14,400	540 - 1,460
9	9,000	-	-	-	7,200 - 9,000	580 - 820
	10,900	-	-	-	8,600 - 15,400	780 - 1,520
12	12,000	-	-	-	7,200 - 12,000	580 - 1,020
	13,600 - 14,400	-	-	-	8,600 - 16,400	780 - 1,600
15	14,000 - 15,000	-	-	-	7,200 - 15,000	580 - 1,340
	18,000	-	-	-	8,600 - 21,100	780 - 2,280
18	17,200	-	-	-	7,200 - 17,200	580 - 1,590
	21,600	-	-	-	8,600 - 24,900	780 - 2,770
24	22,000	-	-	-	7,200 - 22,000	580 - 2,200
	23,200	-	-	-	8,600 - 27,800	780 - 3,000
6 + 6	6,500	6,500	-	-	12,000 - 13,000	920 - 960
	7,800	7,800	-	-	11,000 - 31,000	740 - 2,560
6 + 9	6,500	9,000	-	-	12,000 - 15,500	940 - 1,260
	7,800	10,900	-	-	11,000 - 31,000	740 - 2,560
6 + 12	6,500	12,000	-	-	12,000 - 18,500	920 - 1,600
	7,800	13,600 - 14,400	-	-	11,000 - 31,000	740 - 2,560
6 + 15	6,500	14,000 - 15,000	-	-	12,000 - 21,500	920 - 1,940
	7,800	18,000	-	-	11,000 - 33,000	740 - 2,800
6 + 18	6,500	17,200	-	-	12,000 - 23,700	920 - 2,460
	7,200	19,800	-	-	11,000 - 35,000	740 - 2,920
6 + 24	5,900	20,100	-	-	12,000 - 26,000	920 - 2,800
	6,800	20,200	-	-	11,000 - 35,000	740 - 2,860
9 + 9	9,000	9,000	-	-	12,000 - 18,000	920 - 1,840
	10,900	10,900	-	-	11,000 - 31,000	740 - 2,560
9 + 12	9,000	12,000	-	-	12,000 - 21,000	920 - 2,040
	10,900	13,600 - 14,400	-	-	11,000 - 33,000	740 - 2,800
9 + 15	9,000	14,000 - 15,000	-	-	12,000 - 24,000	920 - 2,540
	10,100	16,900	-	-	11,000 - 35,000	740 - 2,920
9 + 18	8,900	17,100	-	-	12,000 - 26,000	920 - 2,840
	9,000	18,000	-	-	11,000 - 35,000	740 - 2,920
9 + 24	7,600	20,400	-	-	12,000 - 28,000	920 - 3,220
	7,300	19,700	-	-	11,000 - 35,000	740 - 2,740
12 + 12	12,000	12,000	-	-	12,000 - 24,000	920 - 2,540
	13,500 - 13,900	13,100 - 13,500	-	-	11,000 - 35,000	740 - 2,920
12 + 15	11,500 - 12,000	14,000 - 14,500	-	-	12,000 - 26,000	920 - 2,840
	11,600 - 12,000	15,000 - 15,400	-	-	11,000 - 35,000	740 - 2,860
12 + 18	10,400	15,600	-	-	12,000 - 26,000	920 - 2,840
	10,400 - 10,800	16,200 - 16,600	-	-	11,000 - 35,000	740 - 2,860
15 + 15	13,000	13,000	-	-	12,000 - 26,000	920 - 2,840
	13,500	13,500	-	-	11,000 - 35,000	740 - 2,800
15 + 18	11,700 - 11,800	14,200 - 14,300	-	-	12,000 - 26,000	920 - 2,840
	12,300	14,700	-	-	11,000 - 35,000	740 - 2,800
18 + 18	13,000	13,000	-	-	12,000 - 26,000	920 - 2,840
	13,500	13,500	-	-	11,000 - 35,000	740 - 2,800

MXZ-4B36NA OPERATION PERFORMANCE, contd.

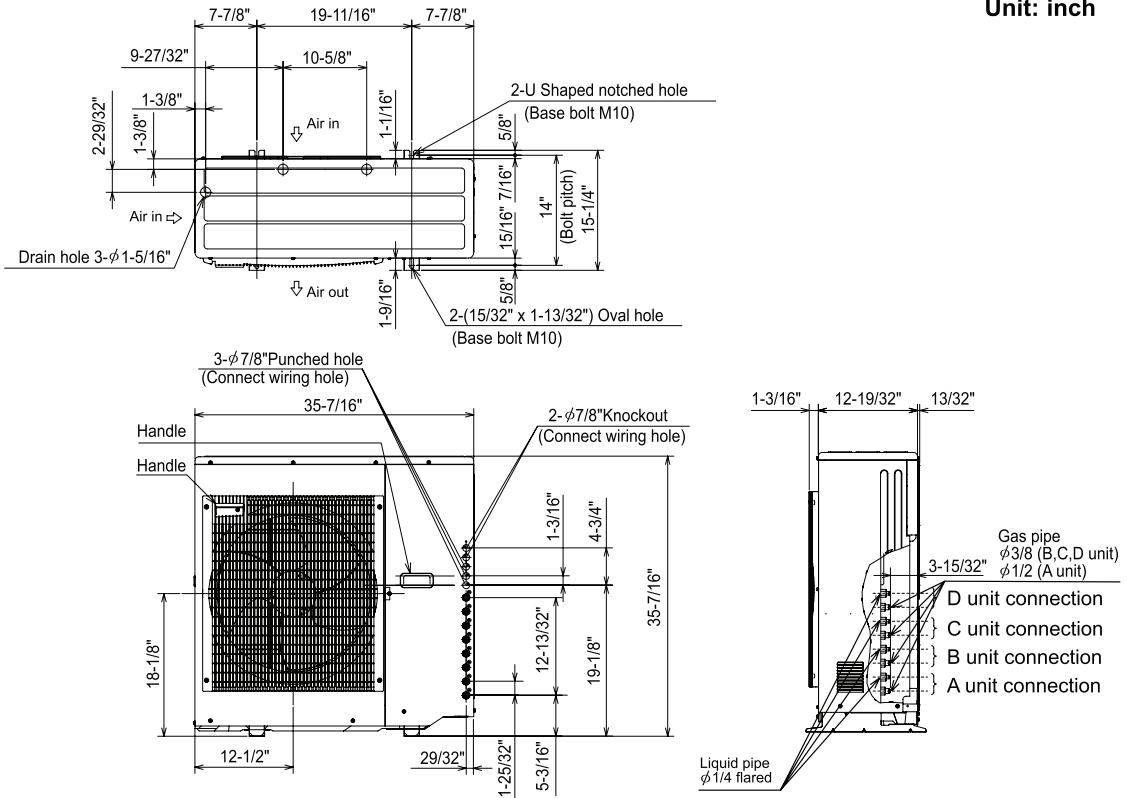
Operation Performance for Indoor Unit Combinations (Unit A + Unit B + Unit C + Unit D)	Cooling Capacity Range (Btu/h)					Power Usage Range (W)
	Heating Capacity Range (Btu/h)					
	Unit A	Unit B	Unit C	Unit D	Total Range	
6 + 6 + 6	6,500	6,500	6,500	-	12,600 - 19,500	1,000 - 1,600
	7,800	7,800	7,800	-	11,400 - 36,000	740 - 2,820
6 + 6 + 9	6,500	6,500	9,000	-	12,600 - 22,000	1,000 - 1,940
	7,800	7,800	10,900	-	11,400 - 36,000	740 - 2,820
6 + 6 + 12	6,500	6,500	12,000	-	12,600 - 25,000	1,000 - 2,330
	7,800	7,800	13,600 - 14,400	-	11,400 - 36,000	740 - 2,820
6 + 6 + 15	6,500	6,500	14,000 - 15,000	-	12,600 - 28,000	1,000 - 2,580
	7,500	7,500	17,400	-	11,400 - 36,000	740 - 2,820
6 + 6 + 18	6,500	6,500	17,200	-	12,600 - 30,200	1,000 - 3,120
	6,800	6,800	18,800	-	11,400 - 36,000	740 - 2,820
6 + 6 + 24	6,000	6,000	20,100	-	12,600 - 32,100	1,000 - 3,500
	6,500	6,500	19,400	-	11,400 - 36,000	740 - 2,820
6 + 9 + 9	6,500	9,000	9,000	-	12,600 - 24,500	1,000 - 2,290
	7,800	10,900	10,900	-	11,400 - 36,000	740 - 2,820
6 + 9 + 12	6,500	9,000	12,000	-	12,600 - 27,500	1,000 - 2,690
	7,800 - 7,800	10,300 - 10,900	13,600 - 14,100	-	11,400 - 36,000	740 - 2,820
6 + 9 + 15	6,500	9,000	14,000 - 15,000	-	12,600 - 30,500	1,000 - 3,040
	6,900	9,200 - 9,600	15,900	-	11,400 - 36,000	740 - 2,820
6 + 9 + 18	6,400	8,400 - 8,800	16,900	-	12,600 - 32,100	1,000 - 3,550
	6,200	8,400 - 8,800	17,400	-	11,400 - 36,000	740 - 2,820
6 + 9 + 24	5,600	7,300 - 7,700	18,800	-	12,600 - 32,100	1,000 - 3,530
	6,000	8,000 - 8,400	18,000	-	11,400 - 36,000	740 - 2,820
6 + 12 + 12	6,500	12,000	12,000	-	12,600 - 30,500	1,000 - 3,190
	7,000 - 7,200	12,600 - 13,000	12,300 - 12,700	-	11,400 - 36,000	740 - 2,820
6 + 12 + 15	6,200 - 6,400	11,500 - 11,900	13,800 - 14,400	-	12,600 - 32,100	1,000 - 3,540
	6,300 - 6,400	11,200 - 11,600	14,500 - 14,800	-	11,400 - 36,000	740 - 2,820
6 + 12 + 18	5,800	10,800	15,500	-	12,600 - 32,100	1,000 - 3,540
	5,700 - 5,900	10,200 - 10,700	16,000 - 16,300	-	11,400 - 36,000	740 - 2,820
6 + 15 + 15	5,700 - 6,100	12,700 - 13,200	13,000 - 13,500	-	12,600 - 32,100	1,000 - 3,540
	5,800	13,300	13,300	-	11,400 - 36,000	740 - 2,820
6 + 15 + 18	5,400 - 5,600	11,900 - 12,400	14,300 - 14,600	-	12,600 - 32,100	1,000 - 3,540
	5,300	12,300	14,800	-	11,400 - 36,000	740 - 2,820
6 + 18 + 18	5,100	13,500	13,500	-	12,600 - 32,100	1,000 - 3,540
	5,000	13,700	13,700	-	11,400 - 36,000	740 - 2,820
9 + 9 + 9	8,600 - 9,000	8,600 - 9,000	8,600 - 9,000	-	12,600 - 27,000	1,000 - 2,950
	10,400 - 10,800	10,400 - 10,800	10,400 - 10,800	-	11,400 - 36,000	740 - 2,820
9 + 9 + 12	8,600 - 9,000	8,600 - 9,000	12,000	-	12,600 - 30,000	1,000 - 3,350
	9,400 - 10,000	9,400 - 10,000	12,400 - 12,800	-	11,400 - 36,000	740 - 2,820
9 + 9 + 15	8,400 - 9,000	8,400 - 9,000	14,000 - 14,500	-	12,600 - 32,100	1,000 - 3,580
	8,500 - 8,900	8,500 - 8,900	14,600	-	11,400 - 36,000	740 - 2,820
9 + 9 + 18	7,700 - 8,200	7,700 - 8,200	15,700 - 15,900	-	12,600 - 32,100	1,000 - 3,580
	7,700 - 8,100	7,700 - 8,100	16,200	-	11,400 - 36,000	740 - 2,820
9 + 9 + 24	6,500 - 6,900	6,500 - 6,900	18,300	-	12,600 - 32,100	1,000 - 3,560
	7,400 - 7,800	7,400 - 7,800	16,800	-	11,400 - 36,000	740 - 2,820
9 + 12 + 12	8,300 - 8,700	11,700	11,700	-	12,600 - 32,100	1,000 - 3,570
	8,600 - 9,400	11,500 - 12,000	11,300 - 11,700	-	11,400 - 36,000	740 - 2,820
9 + 12 + 15	7,600 - 8,300	10,700 - 11,000	12,800 - 13,400	-	12,600 - 32,100	1,000 - 3,570
	7,800 - 8,300	10,400 - 10,800	13,400 - 13,700	-	11,400 - 36,000	740 - 2,820
9 + 12 + 18	7,100 - 7,500	10,000	14,600	-	12,600 - 32,100	1,000 - 3,570
	7,200 - 7,600	9,600 - 9,900	14,900 - 15,200	-	11,400 - 36,000	740 - 2,820
9 + 15 + 15	7,100 - 7,700	11,700 - 12,300	12,200 - 12,700	-	12,600 - 32,100	1,000 - 3,570
	7,200 - 7,600	12,400	12,400	-	11,400 - 36,000	740 - 2,820
9 + 15 + 18	6,600 - 7,200	11,000 - 11,600	13,500 - 13,700	-	12,600 - 32,100	1,000 - 3,570
	6,600 - 7,000	11,500	13,900	-	11,400 - 36,000	740 - 2,820
9 + 18 + 18	6,100 - 6,500	12,800	12,800	-	12,600 - 32,100	1,000 - 3,570
	6,200 - 6,600	12,900	12,900	-	11,400 - 36,000	740 - 2,820

MXZ-4B36NA OPERATION PERFORMANCE, contd.

Operation Performance for Indoor Unit Combinations (Unit A + Unit B + Unit C + Unit D)	Cooling Capacity Range (Btu/h)					Power Usage Range (W)
	Heating Capacity Range (Btu/h)					
	Unit A	Unit B	Unit C	Unit D	Total Range	
12 + 12 + 12	10,700	10,700	10,700	-	12,600 - 32,100	1,000 - 3,560
	10,800 - 11,200	10,600 - 11,200	10,400 - 10,800	-	11,400 - 36,000	740 - 2,820
12 + 12 + 15	9,900 - 10,100	9,900 - 10,100	11,900 - 12,300	-	12,600 - 32,100	1,000 - 3,560
	9,700 - 10,100	9,600 - 10,000	12,400 - 13,000	-	11,400 - 36,000	740 - 2,820
12 + 12 + 18	9,300	9,300	13,500	-	12,600 - 32,100	1,000 - 3,560
	9,000 - 9,400	8,900 - 9,300	13,800 - 14,400	-	11,400 - 36,000	740 - 2,820
12 + 15 + 15	9,100 - 9,700	11,200 - 11,500	11,200 - 11,700	-	12,600 - 32,100	1,000 - 3,560
	9,000	11,700	11,700	-	11,400 - 36,000	740 - 2,820
6 + 6 + 6 + 6	6,500	6,500	6,500	6,500	12,600 - 26,000	1,000 - 2,080
	7,800	7,800	7,800	7,800	11,400 - 43,000	740 - 3,880
6 + 6 + 6 + 9	6,500	6,500	6,500	9,000	12,600 - 28,500	1,000 - 2,420
	7,800	7,800	7,800	10,900	11,400 - 43,000	740 - 3,900
6 + 6 + 6 + 12	6,500	6,500	6,500	12,000	12,600 - 31,500	1,000 - 2,890
	7,400 - 7,600	7,400 - 7,600	7,400 - 7,600	13,200 - 13,800	11,400 - 43,000	740 - 3,900
6 + 6 + 6 + 15	6,500	6,500	6,500	14,000 - 15,000	12,600 - 34,500	1,000 - 3,230
	6,800	6,800	6,800	15,600	11,400 - 43,000	740 - 3,900
6 + 6 + 9 + 9	6,500	6,500	9,000	9,000	12,600 - 31,000	1,000 - 2,850
	7,500	7,500	10,100 - 10,500	10,100 - 10,500	11,400 - 43,000	740 - 3,910
6 + 6 + 9 + 12	6,500	6,500	9,000	12,000	12,600 - 34,000	1,000 - 3,340
	6,900 - 7,000	6,900 - 7,000	9,200 - 9,600	12,200 - 12,600	11,400 - 43,000	740 - 3,910
6 + 6 + 9 + 15	6,100 - 6,400	6,100 - 6,400	8,600 - 8,800	13,800 - 14,200	12,600 - 36,400	1,000 - 3,960
	6,300	6,300	8,400 - 8,800	14,600	11,400 - 43,000	740 - 3,910
6 + 6 + 12 + 12	6,200	6,200	11,300 - 11,500	11,300 - 11,500	12,600 - 36,400	1,000 - 3,940
	6,300 - 6,600	6,300 - 6,600	11,400 - 11,900	11,300 - 11,700	11,400 - 43,000	740 - 3,910
6 + 6 + 12 + 15	5,800 - 6,000	5,800 - 6,000	10,600 - 11,200	12,800 - 13,600	12,600 - 36,400	1,000 - 3,940
	5,900 - 6,000	5,900 - 6,000	10,300 - 10,700	13,500 - 13,700	11,400 - 43,000	740 - 3,910
6 + 6 + 15 + 15	5,400 - 5,700	5,400 - 5,700	12,000 - 12,400	12,300 - 12,800	12,600 - 36,400	1,000 - 3,940
	5,400	5,400	12,600	12,600	11,400 - 43,000	740 - 3,910
6 + 9 + 9 + 9	6,500	9,000	9,000	9,000	12,600 - 33,500	1,000 - 3,300
	6,900	9,300 - 9,700	9,300 - 9,700	9,300 - 9,700	11,400 - 43,000	740 - 3,930
6 + 9 + 9 + 12	6,200 - 6,400	8,600 - 8,700	8,600 - 8,700	11,400 - 11,600	12,600 - 36,400	1,000 - 3,980
	6,400	8,500 - 8,900	8,500 - 8,900	11,800	11,400 - 43,000	740 - 3,930
6 + 9 + 9 + 15	5,800 - 6,100	8,000 - 8,400	8,000 - 8,400	12,900 - 13,600	12,600 - 36,400	1,000 - 3,980
	5,900	7,800 - 8,200	7,800 - 8,200	13,700	11,400 - 43,000	740 - 3,930
6 + 9 + 12 + 12	5,900	8,100 - 8,300	10,800 - 10,900	10,800 - 10,900	12,600 - 36,400	1,000 - 3,970
	5,900	7,900 - 8,300	10,900	10,900	11,400 - 43,000	740 - 3,930
6 + 9 + 12 + 15	5,400 - 5,600	7,500 - 7,800	10,100 - 10,500	12,100 - 12,700	12,600 - 36,400	1,000 - 3,970
	5,500	7,300 - 7,700	10,100	12,700	11,400 - 43,000	740 - 3,930
9 + 9 + 9 + 9	8,600 - 8,850	8,600 - 8,850	8,600 - 8,850	8,600 - 8,850	12,600 - 36,400	1,000 - 4,020
	8,600 - 9,000	8,600 - 9,000	8,600 - 9,000	8,600 - 9,000	11,400 - 43,000	740 - 3,940
9 + 9 + 9 + 12	7,900 - 8,300	7,900 - 8,300	7,900 - 8,300	11,100	12,600 - 36,400	1,000 - 4,010
	7,900 - 8,500	7,900 - 8,500	7,900 - 8,500	10,500 - 11,100	11,400 - 43,000	740 - 3,940
9 + 9 + 9 + 15	7,300 - 7,900	7,300 - 7,900	7,300 - 7,900	12,300 - 12,900	12,600 - 36,400	1,000 - 4,010
	7,300 - 7,700	7,300 - 7,700	7,300 - 7,700	12,900	11,400 - 43,000	740 - 3,940
9 + 9 + 12 + 12	7,300 - 7,700	7,300 - 7,700	10,300	10,300	12,600 - 36,400	1,000 - 4,000
	7,400 - 8,000	7,400 - 8,000	10,000 - 10,400	9,800 - 10,200	11,400 - 43,000	740 - 3,940

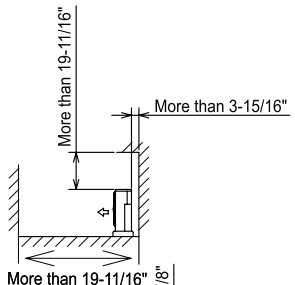
DIMENSIONS: MXZ-4B36NA

Unit: inch

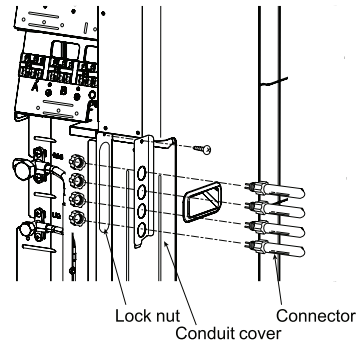
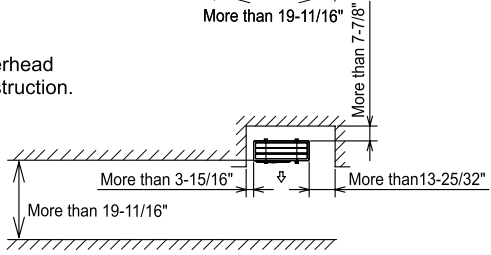


1. Installation space

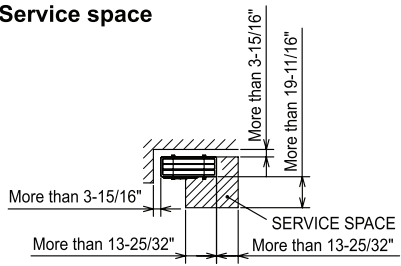
Note : Leave both sides free of obstruction.



Note : Leave overhead free of obstruction.



2. Service space



Intertek



3400 Lawrenceville Suwanee Rd
 Suwanee, GA 30024
 Tele: 678-376-2900 • Fax: 800-889-9904
 Toll Free: 800-433-4822 (#3)
 www.mehvac.com
Specifications are subject to change without notice.