

6

HEATER CONTROL

6-1. Control specifications and Function setting

♦Table 1 shows how the field-installed heater is controlled. Select the desired pattern in the table below, and set the Function on the indoor units as shown in Table 1.

Table.1 [Function table]

Select unit numbers 01 to 03 or all units (AL[wired remote controller] / 07[wireless remote controller])

Mode	Setting	Mode no.	Setting	Initial setting
Heater control	Heater OFF Inlet air temp. \geq set temp. Heater ON Inlet air temp. $<$ set temp. $-4.5^{\circ}\text{F}(2.5^{\circ}\text{C})$ · The fan will stop and the heater will turn off when [DEFROST] or [ERROR] is displayed.	23	1	○
Heater control	Heater OFF Inlet air temp. \geq set temp. Heater ON Inlet air temp. $<$ set temp. $-1.8^{\circ}\text{F}(2.5^{\circ}\text{C})$ · The fan will drive and the heater will turn on when [DEFROST] or [ERROR] is displayed.	23	2	-

*Refer to the Installation Manual for function settings.

6-2. Fan control

By setting the Mode No. 23 in the Function Table in section 6-1 to 2 and using CN4Y on the optional parts PAC-YU25HT, the following patterns of fan control will become possible when [DEFROST] or [ERROR] is displayed.

Fan control patterns when [DEFROST] or [ERROR] is displayed

	Heater is installed in the duct.	No heater is installed in the duct.
Use of CN4Y (PAC-YU25HT)	Unused*	Used
Heater is off.	Fan ON*1	Fan OFF
Heater is on.	Fan ON*1	Fan OFF



*** If a heater is installed in the duct, do not use CN4Y. By doing so, the fan will turn off when the heater is on, which may result in fire.**

*1 Fan speed setting

Mode	Setting		Mode no.	Setting	Initial setting
	Heating Thermo-OFF	[DEFROST] or [ERROR]			
Fan control	Very low	Very low	25	1	○
	STOP	Remote controller setting	25	2	-
	Remote controller setting	Remote controller setting	25	3	-

*Refer to the Installation Manual for function settings.

6-3. PAC-YU25HT (Optional Parts) installation

The following section describes installation of the External Heater Adapter that connects to SEZ-KD·NA series indoor unit. This products is the special wiring parts to drive an electric heater with the air conditioner.

(1) Parts list

•Check that the following parts are included in the package.

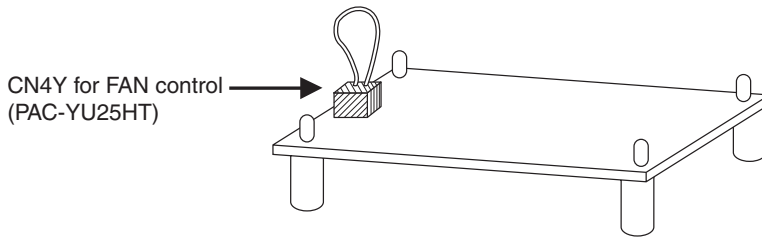
- 1) External output cable (with a yellow connector).....2 in total
Two types of cables with different connectors are included.
- 2) Panel heater connector..... 3 in total
White: 1
Green: 2 (2 types)

(2) Connection to the indoor unit

•Use the cables that fit the connectors on the indoor unit control board.

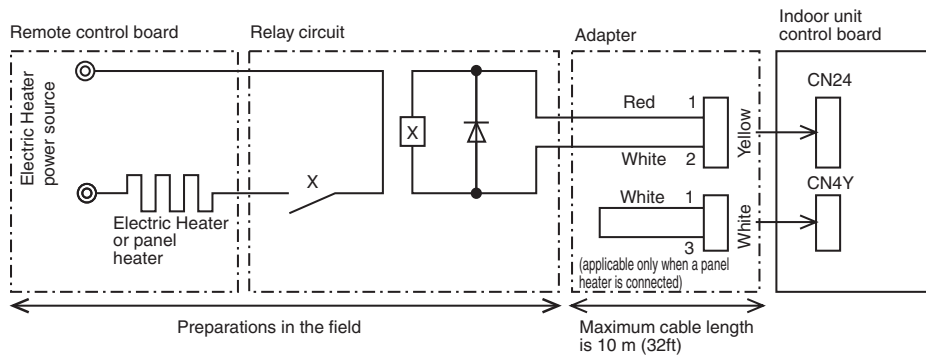
- 1) External output cable (with a yellow connector)
This cable is used to connect a relay circuit for an interlocked operation with either an electric or a panel heater. Connect the cable to CN24 on the indoor unit control board.
- 2) Panel heater connector (with a white connector)
This connector is used to perform an interlocked operation with a panel heater. Depending on the indoor unit control board specification, connect the cable to CN4Y as appropriate

<Image>



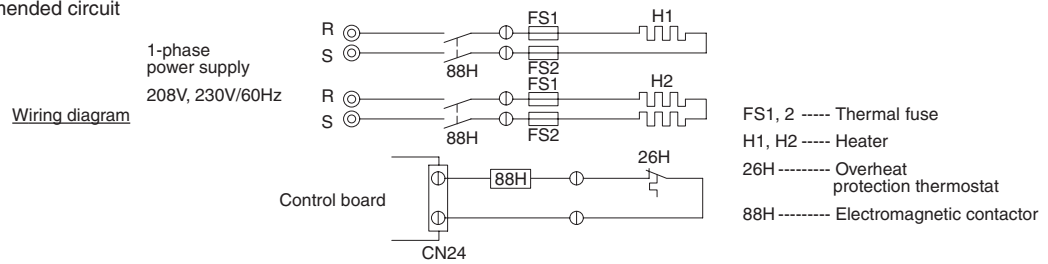
(3) Locally procured wiring

♦A basic connection method is shown below.



- ♦For relay X use the specifications given below Operation coil
- Rated voltage: 12VDC
- Power consumption: 0.9W or less
- * Use the diode that is recommended by the relay manufacturer at both ends of the relay coil.
- ♦The length of the electrical wiring for the PAC-YU25HT is 2 meters (6-1/2 ft.)
- ♦To extend this length, use sheathed 2-core cable.
- Control cable type: CVV, CVS, CPEV or equivalent.
- Cable size: 0.5 mm² ~ 1.25 mm² (16 to 22 AWG)
- Don't extend the cable more than 10 meters (32ft)

Recommended circuit



(4) Wiring restrictions

- ♦Keep the length of the cable connecting to the circuit board of the indoor unit shorter than 10 meters (32ft).
- ♦Longer than 10 meters (32ft) could cause improper operation.
- ♦Use a transit relay when extending wiring such as remote wiring.