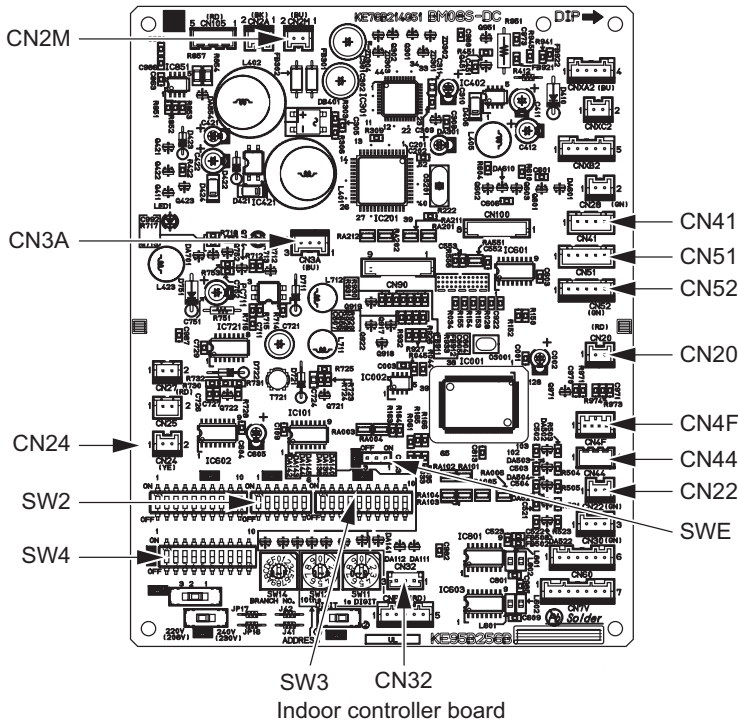
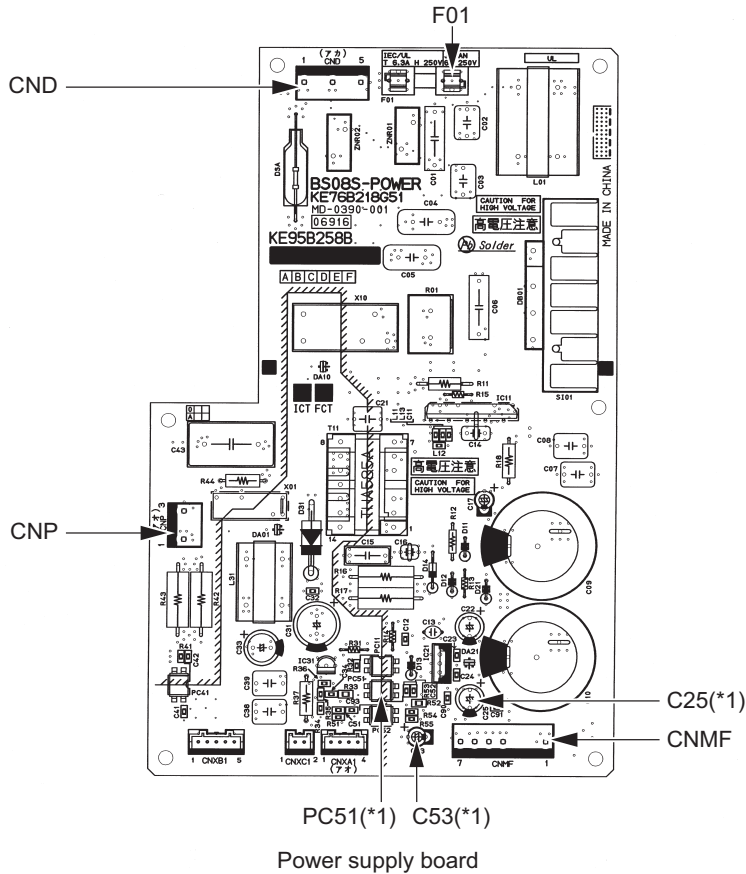


4. Voltage test points on the control board

1. PEFY-P06, 08, 12, 15, 18, 24, 27, 30, 36, 48, 54NMAU-E



SW3 CN32
Indoor controller board



PC51(*1) C53(*1)
Power supply board

- F01 Fuse(AC 250V 6.3A)
- CND Power supply voltage (220 - 240VAC)
- CN2M For M-NET transmission cable connection (24 - 30VDC)
- SWE Emergency operation
- SW2 Capacity setting
- SW4 Function setting
- SW3 Function setting
- CN32 Remote start/stop adapter
- CN3A For MA remote controller cable connection (10 - 13 VDC (Between 1 and 3.))
- CN52 Remote display
- CN51 Centralized control
- CN41 JAMA standard HA terminal A
- CN44 Thermistor (liquid/gas temperature)
- CN4F Float thermistor
- CN22 For fan control
- CN24 For heater control
- CN20 Thermistor (Inlet temperature)
- CNMF Fan motor output
1 - 4: 310 - 340 VDC
5 - 4: 15 VDC
6 - 4: 0 - 6.5 VDC
7 - 4: Stop 0 or 15 VDC
Run 7.5 VDC
(0 - 15 pulse)
- CNP Drain-up mechanism output (200VAC)
- (*1)
V_{FG} Voltage on the (-) side of PC51 and C25 (Same with the voltage between 7 (+) and 4 (-) of CNMF)
- V_{CC} Voltage between the C25 pins 15 VDC (Same with the voltage between 5 (+) and 4 (-) of CNMF)
- V_{sp} Voltage between the C53 pins 0VDC (with the fan stopped) 1 - 6.5VDC (with the fan in operation) (Same with the voltage between 6 (+) and 4 (-) of CNMF)