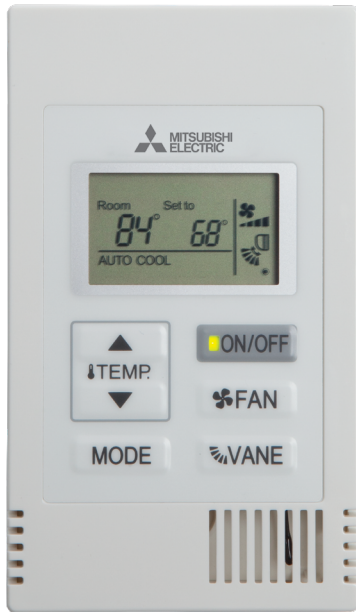


Job Name:

System Reference:

Date:

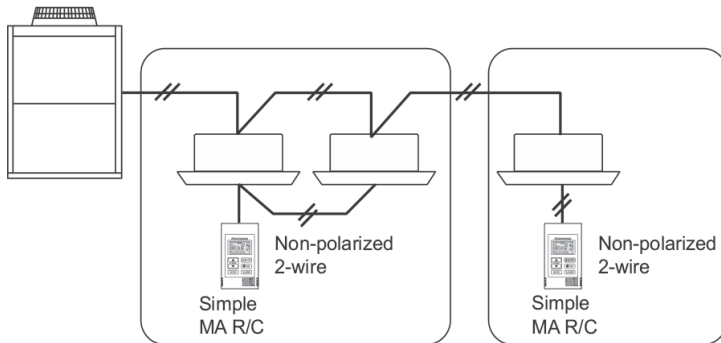


### SIMPLE MA REMOTE CONTROLLER (PAC-YT53CRAU-J) SPECIFICATIONS

- Controls group operation for up to 16 indoor units in a single group
- Supports both Fahrenheit and Celsius
- User defined functions:
  - ON/OFF
  - Operation mode: AUTO (R2-Series only), COOL, HEAT, FAN, DRY, SETBACK, or ADD
  - Set temperature
  - Fan speed setting
  - Air flow direction
  - Set temperature range: depending on operation mode and indoor unit connected.
- Set temperature range limit: Simple MA allowable set temperature range can be reduced for cool and heat modes.
- LOSSNAY®: Simple MA for interlocked system can set high/low/Stop on LOSSNAY.
- Room temperature can be sensed either at the indoor unit (default) or at the remote controller.
- Diagnostics: Displays four-digit error code and error unit address.
- Grouping: Same group use only with other PAC-YT53CRAU-J Simple MA Controllers with up to two remote controllers per group.
- Addressing: No addressing required.
- Wiring: Uses two-wire, stranded, non-polar control wire for connecting TB15 connection terminal on the indoor unit.
- Requires crossover wiring for grouping across indoor units.
- Dimensions: 2-3/4 x 9/16 x 4-3/4" (70 x 14.5 x 120mm).

NOTE: A MAC-334IF-E may be needed in order to connect to the indoor unit. Please see the compatibility charts for more information.

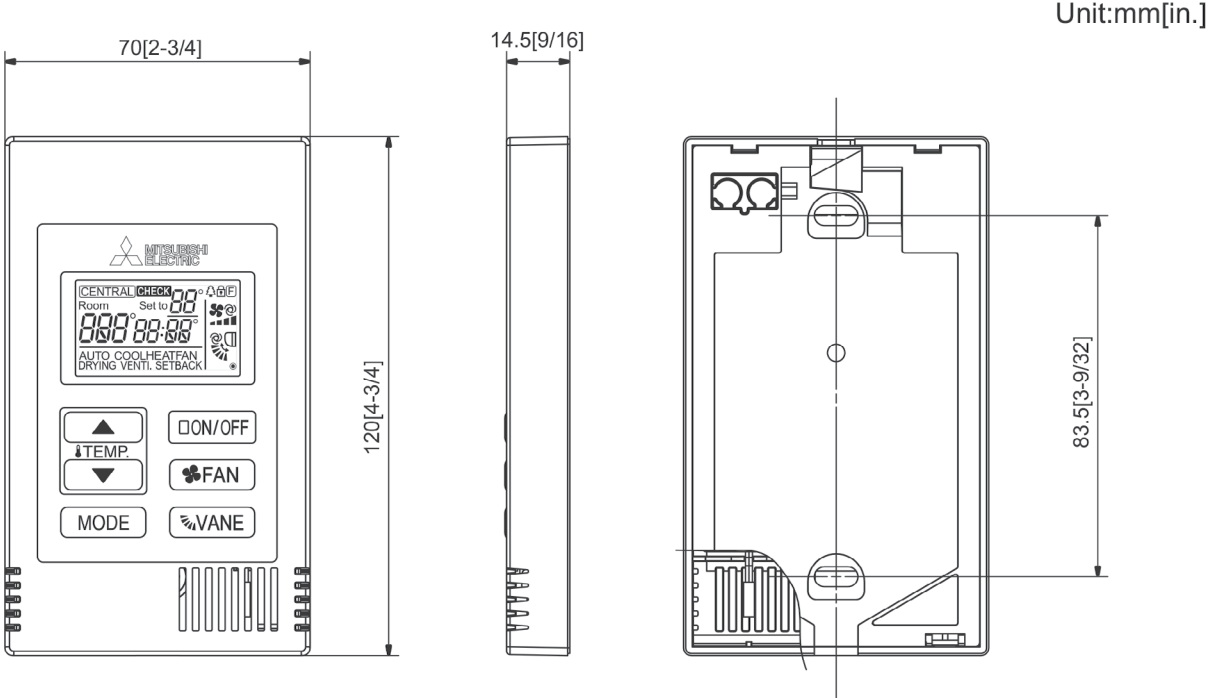
### SAMPLE SYSTEM



System example

NOTES:

# DIMENSIONS: PAC-YT53CRAU-J



1340 Satellite Boulevard, Suwanee, GA 30024  
Toll Free: 800-433-4822 www.mehvac.com